



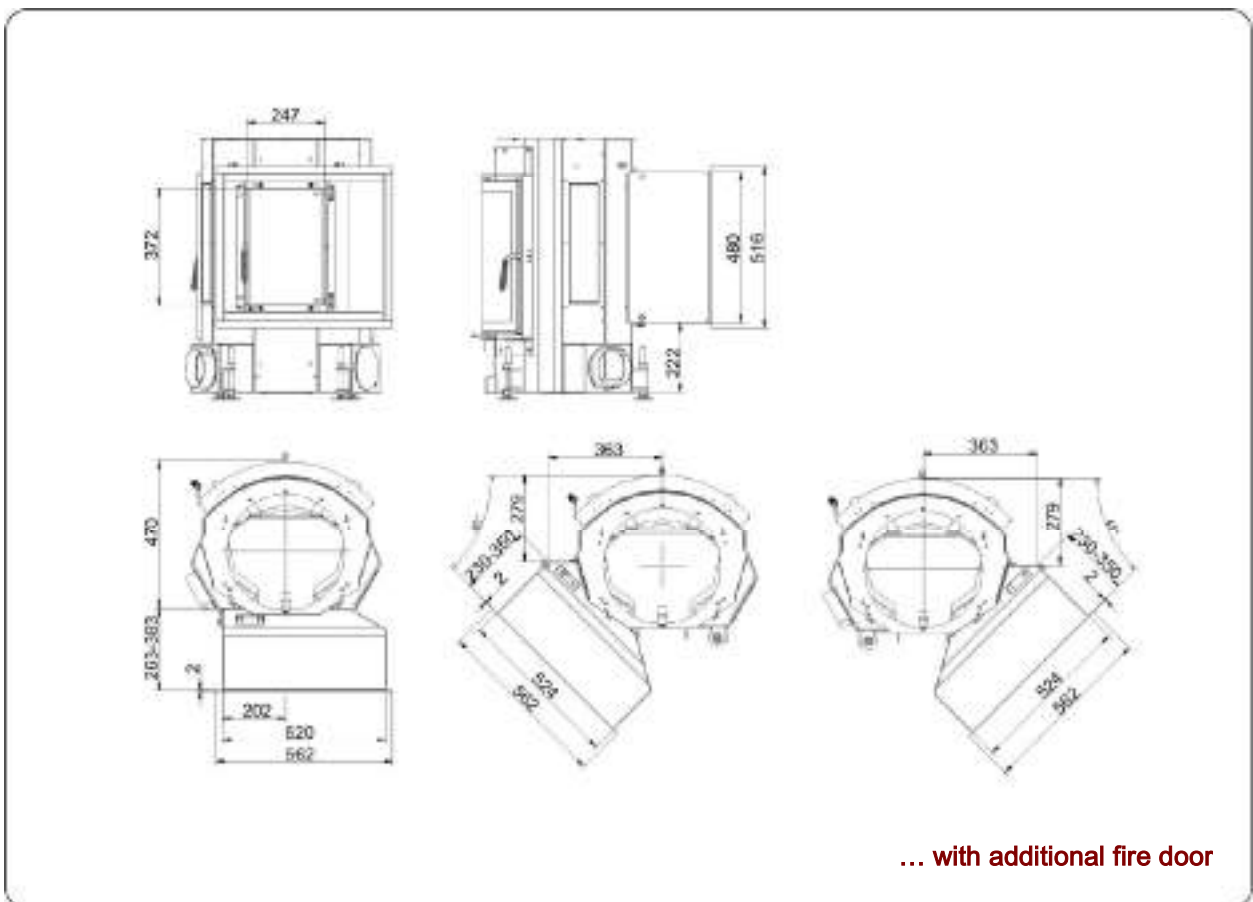
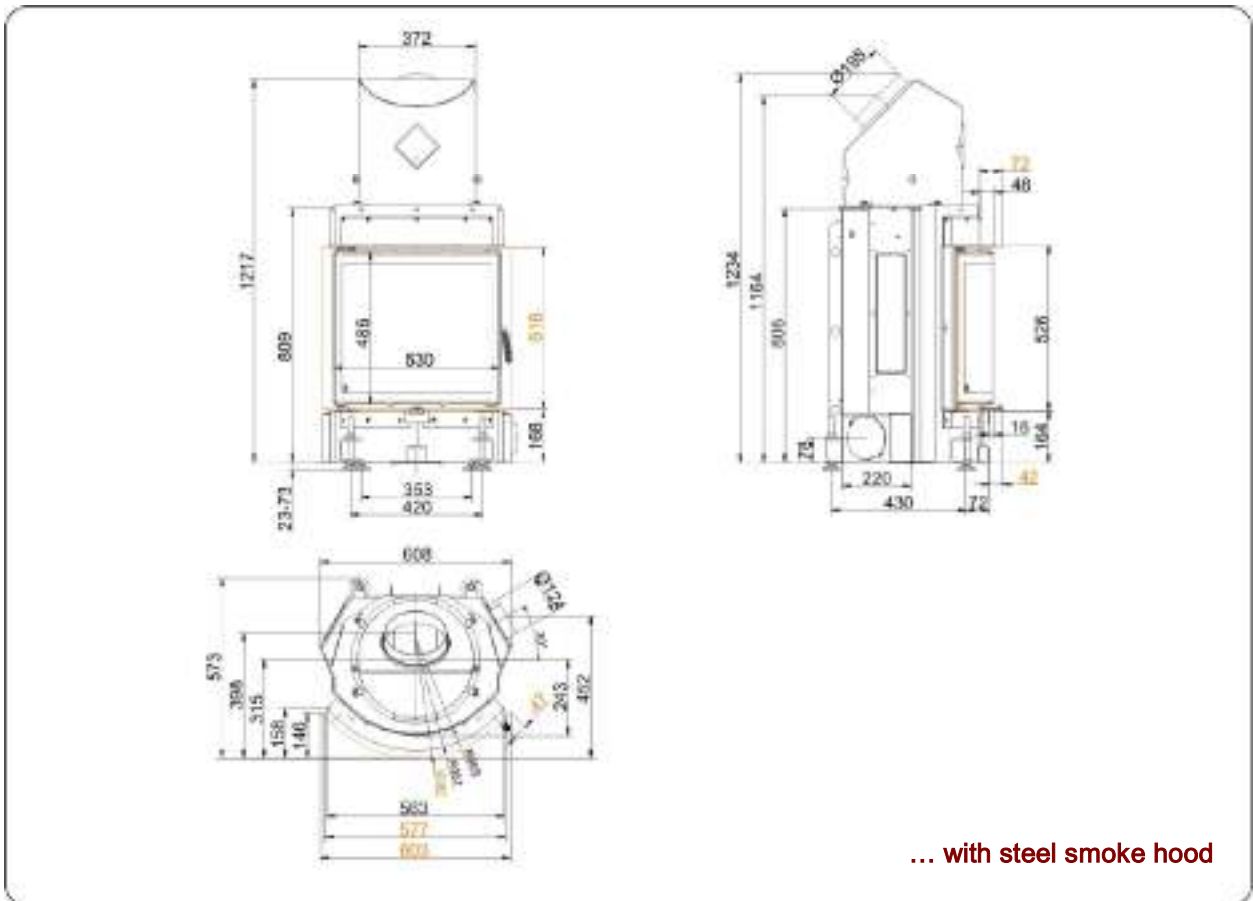
Kompakt-Kamin 51/55 rund side opening doors

State: 16.02.2015



BRUNNER
made in germany

Dimension sheet | **Kompakt-Kamin 51/55 rund side opening doors**



Planning and installation

Kompakt-Kamin 51/55 rund

| Tested according to | EN 13229 W | EN 13229 WA | EN 13229 W |
|--|--------------|--------------|------------|
| Values measured at | nominal load | accumulation | open door |
| Suitable for all construction types according to rules | OK | OK | OK |

Data for functional demonstration

| | | | | |
|---|-------------------|-----|-----|-----|
| Rated heat power | kW | 8 | - | - |
| Firewood consumption | kg/h | 2,5 | 4 | 2,5 |
| Combustion performance | kW | 10 | 17 | 11 |
| Flue gas mass flow | g/s | 8,5 | 20 | 50 |
| Outlet temperature (before heating surface) | °C | - | 340 | - |
| Flue gas temperature after | | | | |
| attached steel smoke hood | °C | 225 | - | 120 |
| 1 x adjoining cast iron radiator (GNF10) | °C | - | 160 | - |
| 6 x accumulation rings (MAS) ¹⁾ | °C | - | 205 | - |
| 2 m adjoining ceramic accumulator ²⁾ | °C | - | 180 | - |
| 1,4 m accumulation stones (MSS) | °C | - | 180 | - |
| water boiler | °C | - | 208 | - |
| Necessary supply pressure | Pa | 12 | 13 | 10 |
| Combustion air consumption | m ³ /h | 35 | 35 | 76 |
| Combustion air connection Ø | mm | 125 | 125 | - |

Heat distribution

| | | | | |
|--------------------------|---|---------|---------|-------|
| Insert / heating surface | % | 30 / 30 | 30 / 30 | - / - |
| Glass (single / double) | % | 40 / - | 40 / - | - / - |
| Boiler | % | - | - | - |

Vent cross-section ⁴⁾

| | | | | |
|------------|-----------------|---------------|-----------------|---|
| Supply air | cm ² | 400 / 100 / - | 300 / 100 / 300 | - |
| Warm air | cm ² | 400 / 100 / - | 300 / 100 / 300 | - |

Minimal oven surface for closed construction type

| | | | | |
|-------------------------|----------------|-----|-----|---|
| Surface giving off heat | m ² | 3,8 | 3,8 | - |
|-------------------------|----------------|-----|-----|---|

Space inside oven chamber

| | | | | |
|-------------------------------|----|---|---|---|
| Distance to oven chamber wall | cm | 8 | 8 | 8 |
| Distance to floor | cm | - | - | - |

Heat insulation without / with ³⁾ air gratings

| | | | | |
|--|----|---------|---------|---------|
| Wall | cm | 12 / 9 | 14 / 10 | 12 / 9 |
| Floor | cm | 4 / 2 | 4 / 2 | 4 / 2 |
| Ceiling | cm | 14 / 10 | 20 / 14 | 14 / 10 |
| Insulation of additional fire door DHT | cm | 6 | 6 | 6 |
| Brick lining of protected walls | cm | 10 | 10 | 10 |

Weight

| | | | | |
|-----------------------------|----|--|----------|--|
| Fireplace + burning chamber | kg | | 129 + 49 | |
|-----------------------------|----|--|----------|--|

meets requirement limit values for

| | |
|--|--|
| Germany / Austria / Switzerland / Norway | 1.BImSchV (Stufe 2) / 15a BVG (2015) / LRV / NS 3059 |
|--|--|

- 1) Throttle flap recommended
- 2) Approximate value, must be calculated eventually
- 3) Values with air gratings, stove casing is heat conducting
- 4) for firebox / flue gas pipe / metallic reheating surface

Ulrich Brunner GmbH
Zellhuber Ring 17 -18
D-84307 Eggenfelden
Phone: +49 / (0)87 21 / 7 71-0
Fax: +49 / (0)87 21 / 7 71-100
info@brunner.eu | www.brunner.eu

BRUNNER®