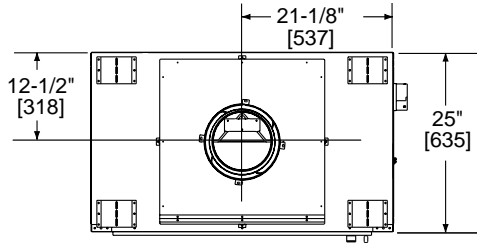




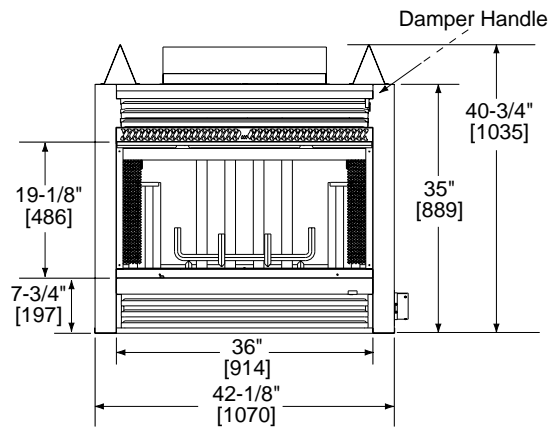
Please consult the manufacturer's installation manual for all details and requirements before making a final design layout decision.

SC60 Wood Fireplace

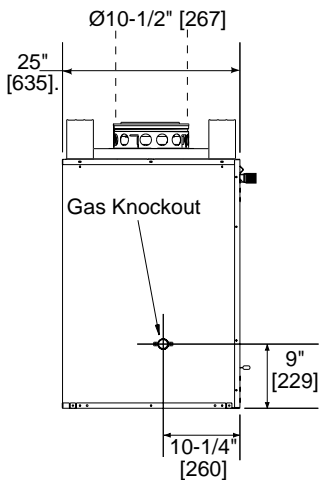
MODEL	FRONT WIDTH		BACK WIDTH		HEIGHT		DEPTH		FIREPLACE OPENING
	Actual	Framing	Actual	Framing	Actual	Framing	Actual	Framing	
SC60	42-1/8"	43-1/8"	42-1/8"	43-1/8"	40-3/4"	41-1/4"	25"	25"	36 x 19-1/8"



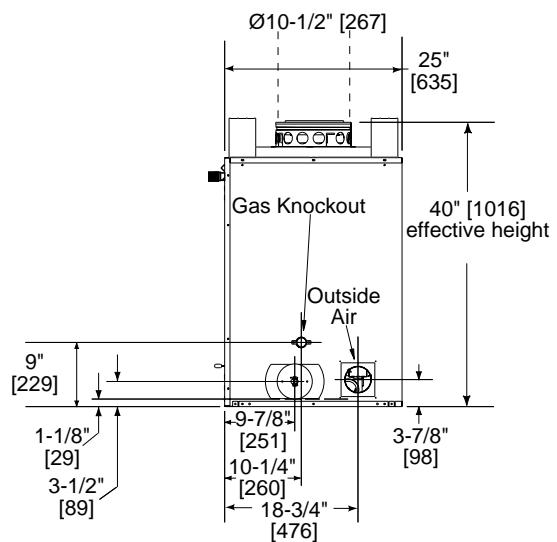
Top View



Front View

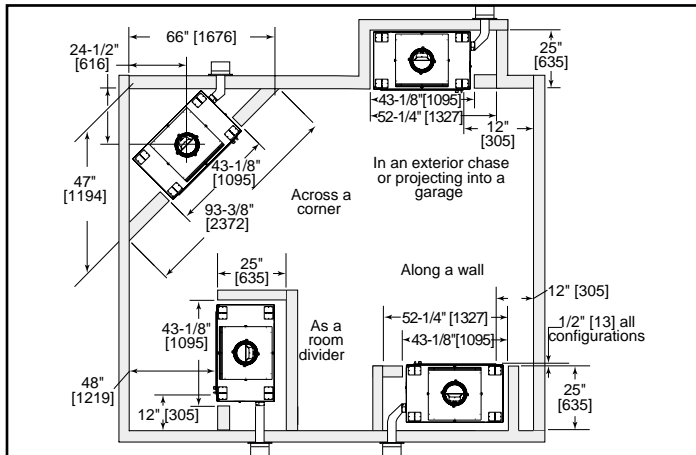


Left Side View

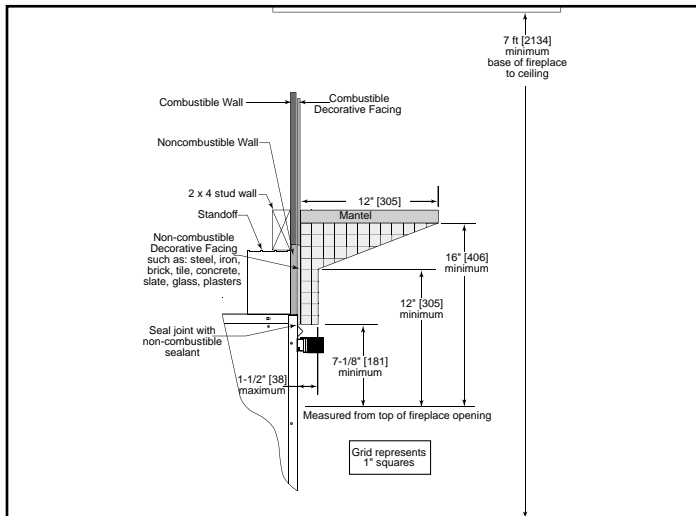


Right Side View

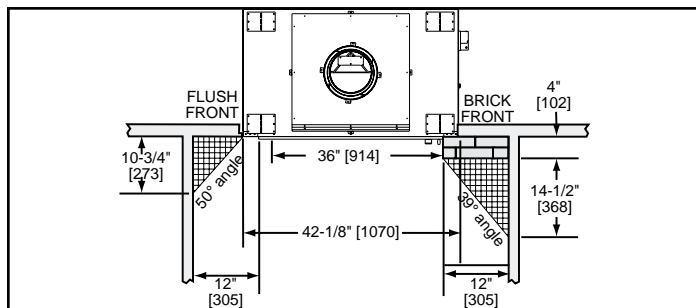
APPLIANCE LOCATION



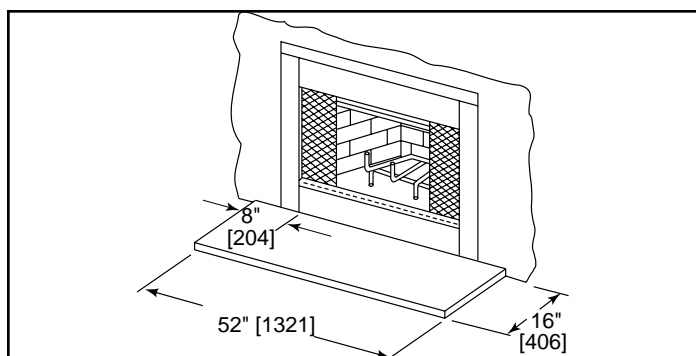
MANTEL PROJECTIONS



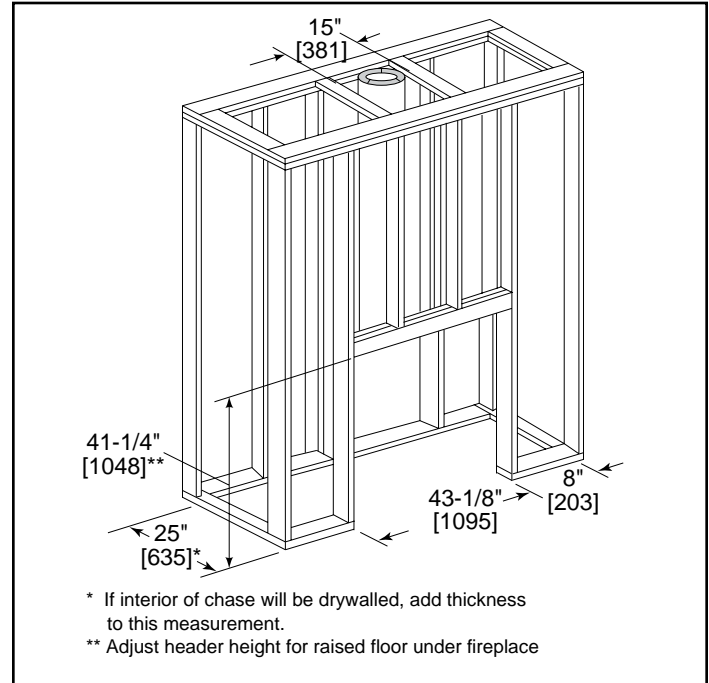
MANTEL LEG/WALL PROJECTIONS



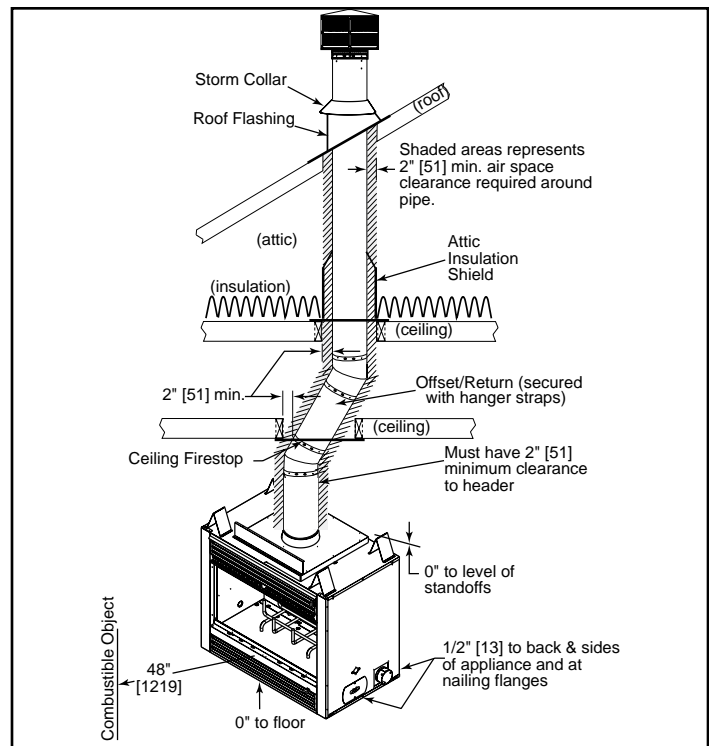
HEARTH EXTENSIONS



FRAMING DIMENSIONS



CLEARANCES TO COMBUSTIBLES



PRODUCT LISTING CODES	
US	UL 127
CAN	ULC-S610

Product information provided is not complete and is subject to change without notice. Product installation must adhere strictly to instructions accompanying product to avoid risk of fire and potential injury.

Additional information can be found online at www.heatilator.com