

Fireplace insert with sliding door **KFD ECO iLINE 5183 H**






**NEW**



**AUTOMATIC DAMPER**

**MODERN DESIGN**

**ECO iLINE 5183 H**

 heating power range [kW]	<b>12,5-16,5</b>
 efficiency [%]	<b>80</b>
 heated capacity [m³]	<b>250-450</b>
 front width [mm]	<b>830</b>
 front height [mm]	<b>510</b>

**SLIDING DOOR**

**DOUBLE COMBUSTION SYSTEM**

Fireplace inserts **KFD ECO iLINE**  
 for continuous burning

- Two-jacket fireplace inserts for continuous burning, made of high quality materials
- Equipped with a modern double combustion system, which guarantees higher heating efficiency
- Wide heating power range, adjusted for buildings of various sizes
- Meet EN 13229 norm and are marked with the European CE safety mark
- Comfort of use thanks to innovative sliding door system
- Universal design of inserts, suitable for modern as well as traditional interiors
- Maximal view on fire thanks to larger window area in proportion to front dimensions

# Corner fireplace inserts with sliding door **KFD ECO iLINE 5183 L/R H**

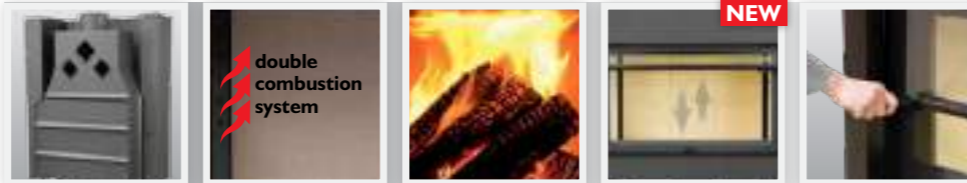
**More fire in 3D.** Modern corner fireplace ECO iLINE inserts are an ideal solution for people who want to have a 3D view on fire. Thanks to this, fire can be observed from various parts of a room, creating a unique light show. Additionally the sliding door offers the possibility to use it as traditional, open fireplace. Attractive frame adds more charm to such beautiful image of fire. Simple lines, no unnecessary ornaments. Available models with glass at left or right side.

**Efficient and ecological.** Wood combustion in ECO iLINE inserts is uniquely efficient. A modern afterburning system provides a higher heating efficiency, thanks to which, they are efficient and ecological heating devices.

**Safe and durable.** Solid, double-jacket construction of ECO iLINE inserts (steel body and chamotte furnace lining) guarantees safe operation, even at continuous work. Materials, of which ECO iLINE inserts are produced, provide failure free work for many years. All of that makes that ECO iLINE inserts are ideal for people who want to combine good design and the highest quality.

**Convenient operation.** Innovative sliding mechanism makes the opening and closing of the door very convenient. Easily accessible air inlet regulator guarantee a simple and precise operation of ECO iLINE fireplace inserts.

## KFD ECO iLINE features and innovative solutions



**SAFETY AND RELIABILITY**    **HEAT AND ECOLOGY**    **MAXIMAL VIEW OF THE FIRE**    **SLIDING DOOR**    **COLD HANDLE**



**DIRECT AIR INLET TO THE FURNACE**    **HIGHER HEATING EFFICIENCY**    **DURABILITY**    **PRECISE CONTROL**    **REGULATION OF FEET HEIGHT**



**EASY GLASS CLEANING**

## ECO iLINE 5183 L/R H

🔥 heating power range [kW]	<b>10-14,5</b>
📊 efficiency [%]	<b>72</b>
📏 heated capacity [m <sup>3</sup> ]	<b>145-230</b>
↔ front width [mm]	<b>858</b>
📏 front height [mm]	<b>463,5</b>



**ECO iLINE 5183 LH**

**NEW**



**ECO iLINE 5183 RH**



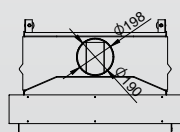
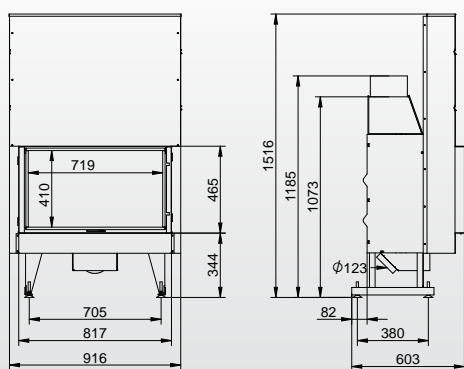
Installation example of fireplace with built-in **KFD ECO iLINE 5183 LH** insert



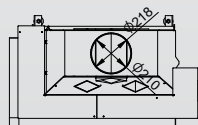
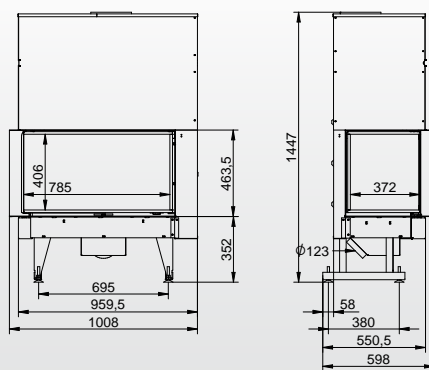
Installation example of fireplace with built-in **KFD ECO iLINE 5183 RH** insert



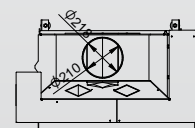
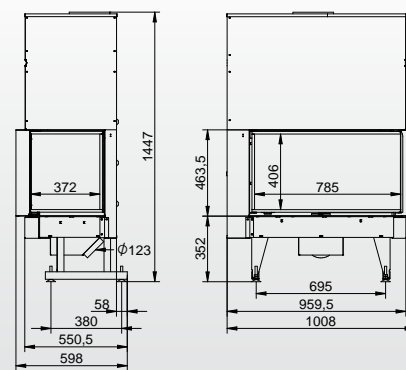
# dimensions and technical data of ECO iLINE 5183 H and ECO iLINE 5183 L/R H



ECO iLINE 5183 H



ECO iLINE 5183 LH



ECO iLINE 5183 RH

technical data	ECO iLINE 5183 H	ECO iLINE 5183 L/R H
rated power [kW]*	14,5	12
heating power range [kW]*	12,5 - 16,5	10-14,5
efficiency [%]*	80	72
CO emission at 13% O <sub>2</sub> [%]*	0,10	0,18
average smoke temperature [°C]*	256	298
heated capacity [m <sup>3</sup> ]	250-450	145-230
maximum log length [cm]	50	40
front dimensions [mm] ↔ x ↕ x ↗	817 x 465 x 940	858 x 463,5 x 975
dimensions of glazed part of door [mm] ↔ x ↕ x ↗	719 x 410 x 828	758 x 406 x 883
minimum effective chimney height [m]	5	5
minimum negative pressure in chimney duct [Pa]	12	12
diameter of smoke outlet [mm]	198	218
weight [kg]	165	190

\*Parameters according to the EN 13229 norm

KFD Sp. z o.o. reserves the right to introduce without notification any changes of technical parameters, equipment and specifications of offered devices. Information given in this promotional material are pictorial and do not constitute an assurance of concordance with a contract according to the Article 4, Par. 3 and 4 of the Act from the 27th July 2002 on specific terms and conditions of consumer sale and amendments to the Civil Code, and are not a product within the meaning of the Art. 4, Par. 2 of the above mentioned Act. Individual settlement of features, warranty conditions and product specification takes place within the sales contract and the warranty card. This publication does not constitute an offer within the meaning of the Art. 66 of the Civil Code. KFD Sp. z o.o. is not responsible for print errors.

© Copyright KFD Sp. z o.o. 2013. All rights reserved. Leaflet printed in Poland. Ver. KFDECOiLINENEWENG08102013.

RESELLER **KFD**

**KFD**

KFD Sp. z o.o.  
ul. Olszankowa 51, PL 05-120 Legionowo  
Poland  
phone +48 507 005 711, fax +48 227 741 711  
e-mail [export@kfd.eu](mailto:export@kfd.eu), [www.kfdesign.eu](http://www.kfdesign.eu)

