



*Výrobca krbou*

## TECHNICAL SHEETS

### Fireplace inserts **STEEL/FIRECLAY**

*PRODUCER :*

**KOBOK, spol. s r.o.**

Strojársená 318/46, 976 43 Piesok, Slovak republic

☎/✉: 00421 48 / 617 1887, 617 2453, e-mail: kobok@ps.kobok.sk

[www.kobok.sk](http://www.kobok.sk)

#### Branch stores :

BA – ZÁHORSKÁ BYSTRICA, Bratislavská 1  
97 27  
NITRIANSKÉ PRAVNO, Dlhá 418  
KOŠICE, Rampová 3  
7996 360

☎: 02 / 6446 26 32, ✉: 02 / 6436

☎/✉: 046 / 5447 202

☎: 055 / 7996 359, ✉: 055 /

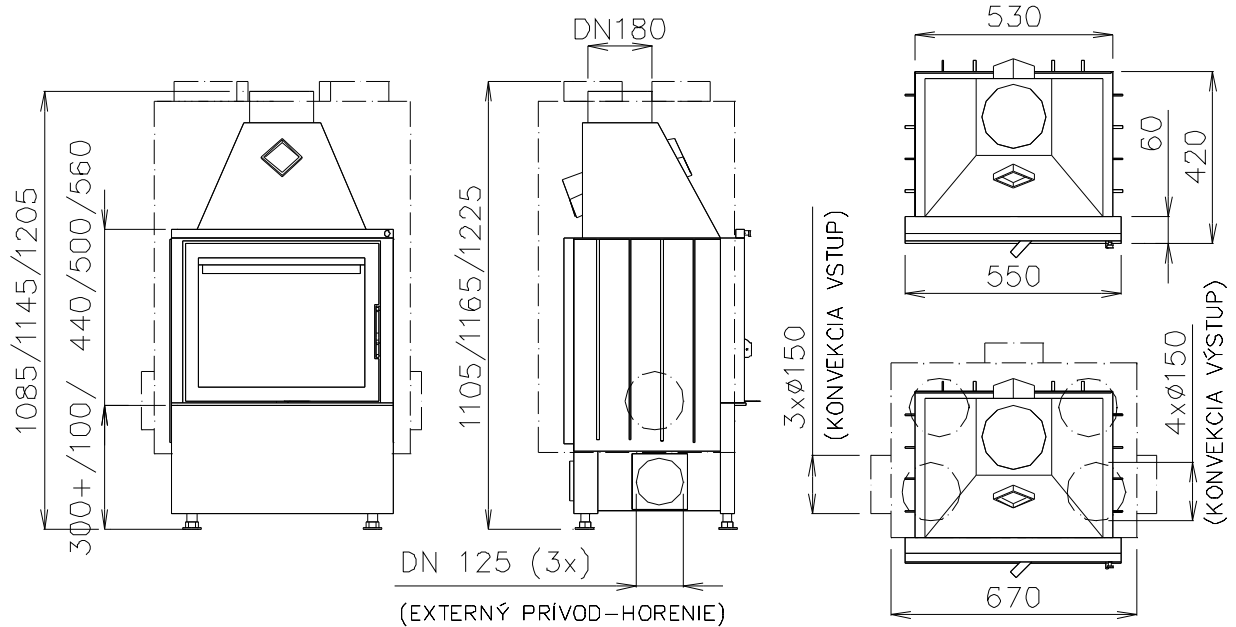
**Content:**

<b>Fireplace insert</b>	<b>Page</b>
<b>CHOPOK</b>	<b>3 – 11</b>
<b>CHOPOK R 90</b>	<b>12 – 17</b>
<b>CHOPOK 2 R 90</b>	<b>18 – 23</b>
<b>CHOPOK R 90 S</b>	<b>24 – 28</b>
<b>CHOPOK O</b>	<b>29 – 33</b>
<b>CHOPOK O 90</b>	<b>35 - 40</b>
<b>CHOPOK/ĎUMBIER R135 O</b>	<b>41 – 44</b>
<b>CHOPOK/ĎUMBIER O</b>	<b>45 – 48</b>
<b>CHOPOK/MÝTO 0</b>	<b>49 – 50</b>
<b>ĎUMBIER</b>	<b>51 – 54</b>
<b>ĎUMBIER R 135</b>	<b>55 – 58</b>
<b>ĎUMBIER O</b>	<b>59 – 62</b>
<b>ĎUMBIER R 135 O</b>	<b>63 – 66</b>
<b>MÝTO</b>	<b>67 – 72</b>
<b>BYSTRÁ</b>	<b>73 – 80</b>
<b>FIXED ACCESSORIES</b>	<b>81 – 85</b>
<b>FREE ACCESSORIES</b>	<b>86 – 87</b>
<b>UPDATINGS</b>	<b>88</b>

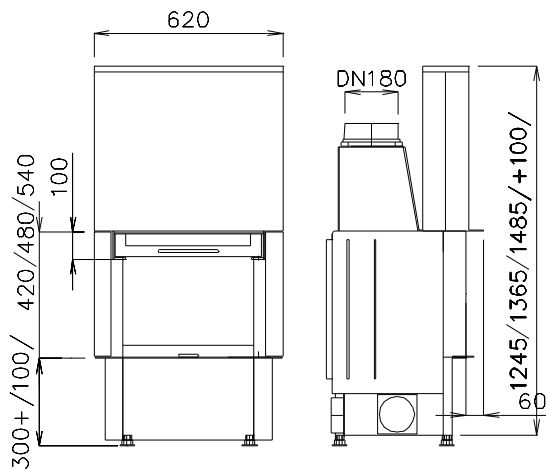
**CHOPOK 550/440,500,560**

Range 550

- Basic Model: **CHOPOK 550/440,500,560**
- Convection Casing (DP): *CHOPOK 550/440,500,560-DP*

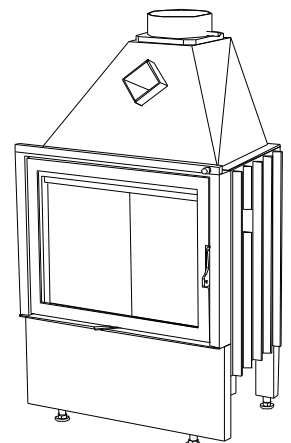


- Vertical Opening Door (VD): *CHOPOK VD 620/420,480,540*



• **Technical Data:**

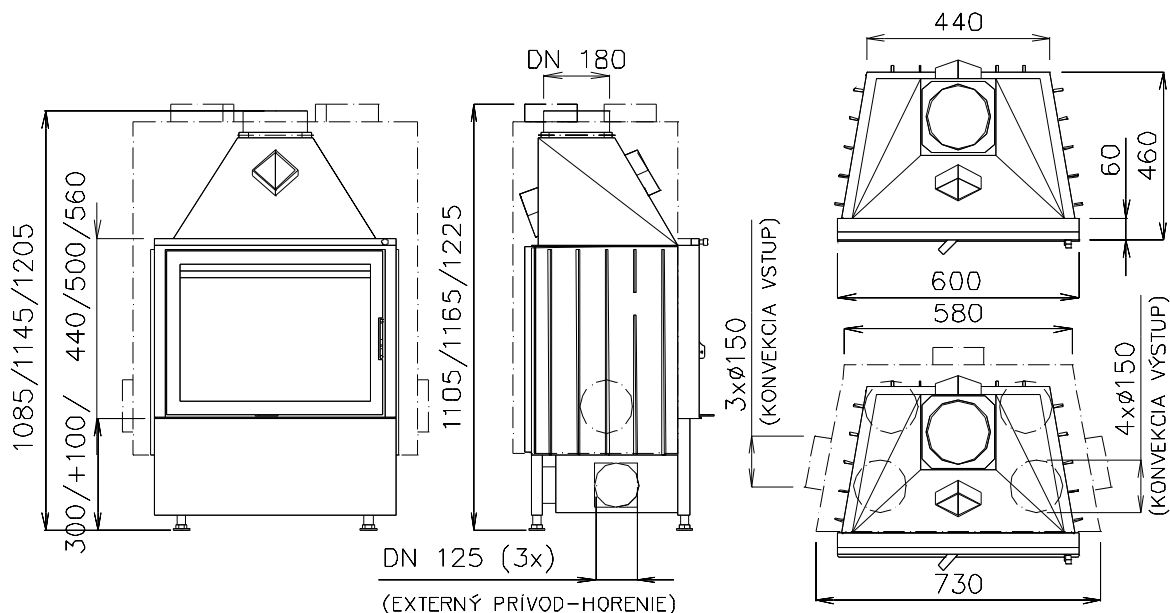
Type:	CHOPOK 550/440,500,560
Average heat output:	8 kW
Operating heat power:	2-10 kW
Flue gas mass flow:	12g/s
Flue gas temperature:	240 °C
Emission of CO to 13 % O <sub>2</sub> :	0,12%
Pressure required:	12 Pa
Weight: CH 550/440/500/56	140/145/155 kg
CH VD 620/420/480/540	170/175/185 kg



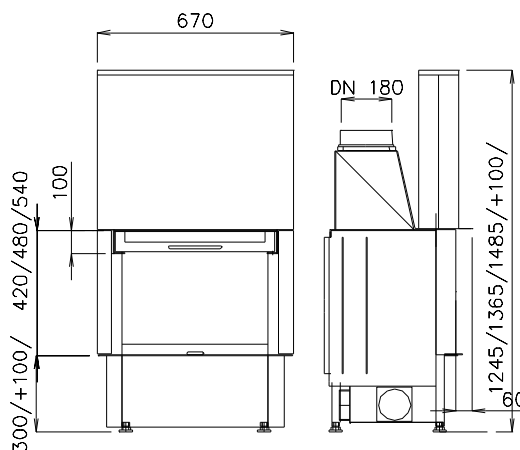
**CHOPOK 600/440,500,560**

Range 600

- Basic Model: **CHOPOK 600/440,500,560**
- Convection Casing (DP): *CHOPOK 600/440,500,560-DP*

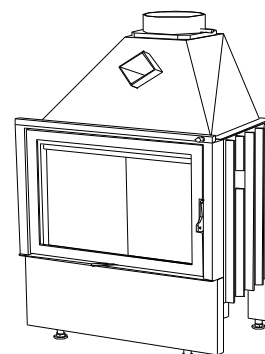


- Vertical Opening Door (VD): *CHOPOK VD 670/420,480,540*



• **Technical Data:**

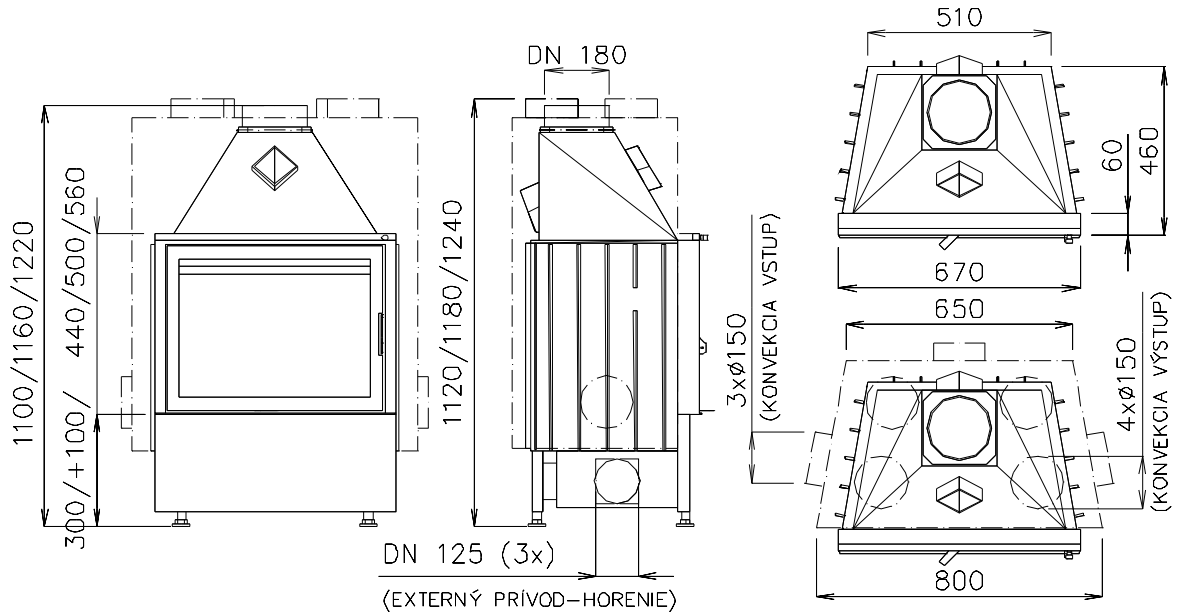
Type:	CHOPOK 600/440,500,560
Average heat output:	8,5 kW
Operating heat power:	2,5-10,5 kW
Flue gas mass flow:	15 g/s
Flue gas temperature:	250 °C
Emission of CO to 13 % O <sub>2</sub> :	0,12%
Pressure required:	12 Pa
Weight: CH 550/440/500/560	155/160/170 kg
CH VD 670/420/480/54	185/190/200 kg



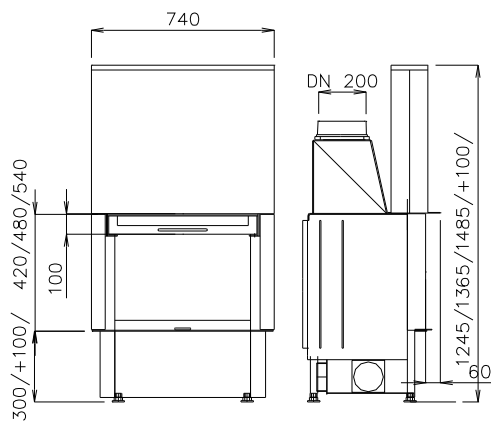
**CHOPOK 670/440,500,560**

Range 670

- Basic Model: **CHOPOK 670/440,500,560**
- Convection Casing (DP): *CHOPOK 670/440,500,560-DP*

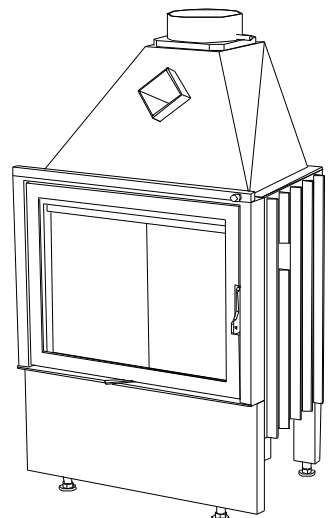


- Vertical Opening Door (VD): *CHOPOK VD 740/420,480,540*



• **Technical Data:**

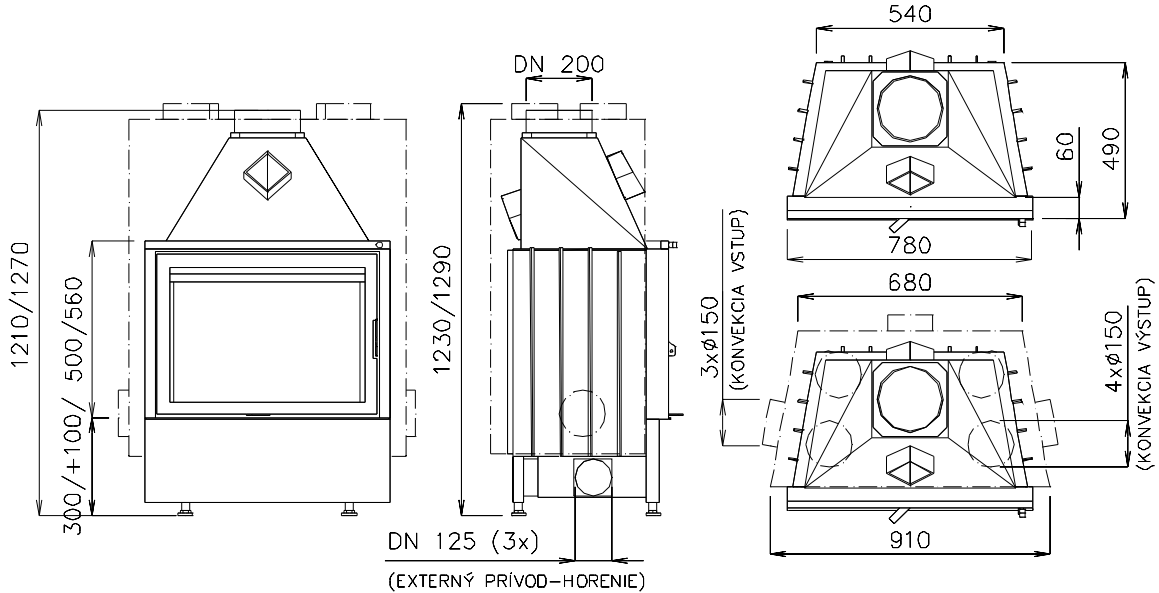
Type:	CHOPOK 670/440,500,560
Average heat output:	9 kW
Operating heat power:	3-11 kW
Flue gas mass flow:	20 g/s
Flue gas temperature:	280 °C
Emission of CO to 13 % O <sub>2</sub> :	0,10%
Pressure required:	12 Pa
Weight:	CH 670/440/500/560 170/180/190 kg
	CH VD 740/420/480/540 200/210/220 kg



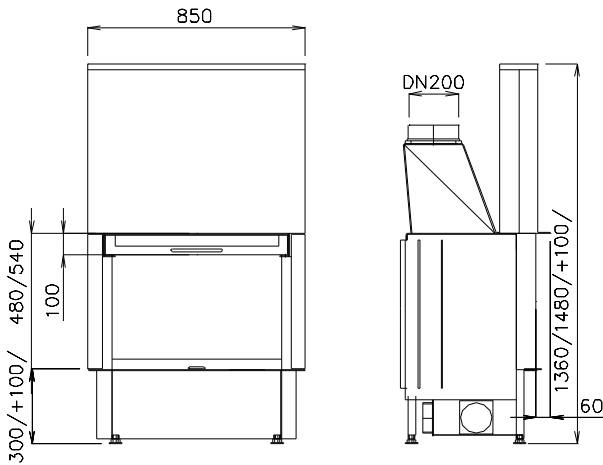
**CHOPOK 780/500,560**

Range 780

- Basic Model: **CHOPOK 780/500,560**
- Convection Casing (DP): *CHOPOK 780/500,560-DP*

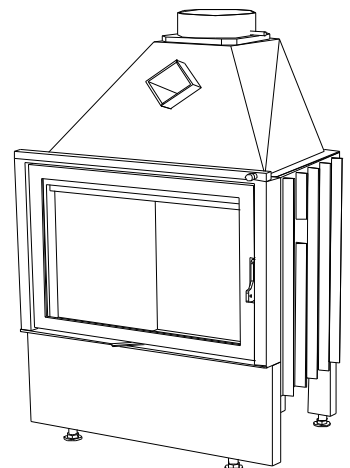


- Vertical Opening Door (VD): *CHOPOK VD 850/480,540*



• **Technical Data:**

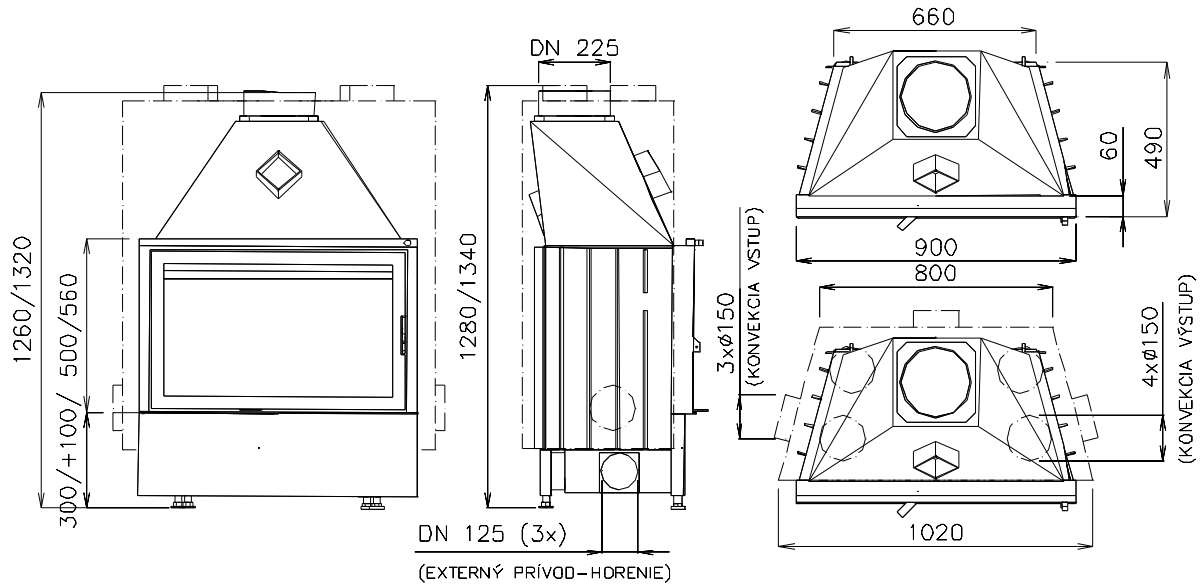
Type:	CHOPOK 780/500,560	
Average heat output:	10 kW	
Operating heat power:	3-12,5 kW	
Flue gas mass flow:	20 g/s	
Flue gas temperature:	320 °C	
Emission of CO to 13 % O <sub>2</sub> :	0,10%	
Pressure required:	12 Pa	
Weight:	CH 780/500/56	195/210 kg
	CH VD 850/480/540	240/255 kg



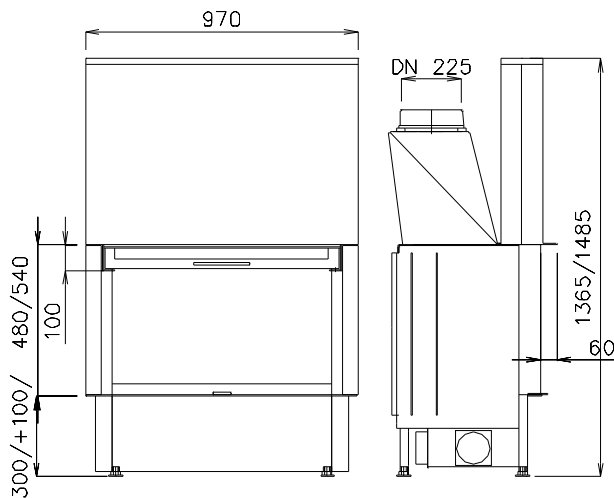
**CHOPOK 900/500,560**

Range 900

- Basic Model: **CHOPOK 900/500,560**
- Convection Casing (DP): *CHOPOK 900/500,560-DP*

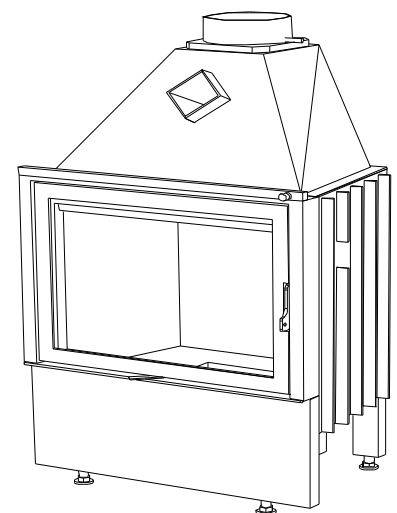


- Vertical Opening Door (VD): *CHOPOK VD 970/480,540*



• **Technical Data:**

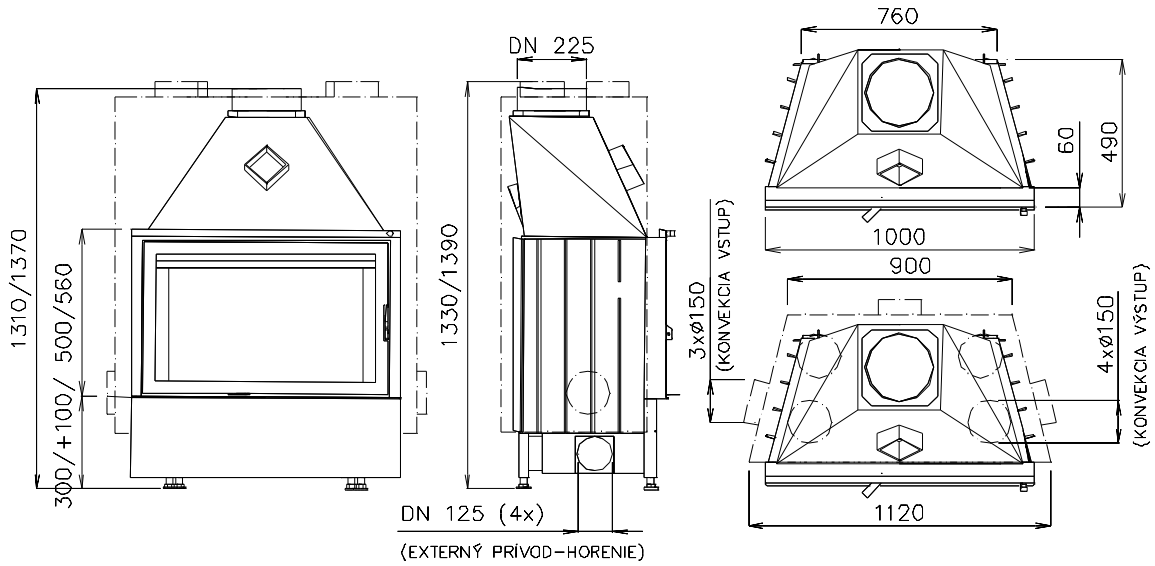
Type:	CHOPOK 900/500,560
Average heat output:	11 kW
Operating heat power:	3,5-14 kW
Flue gas mass flow:	18 g/s
Flue gas temperature:	300°C
Emission of CO to 13 % O <sub>2</sub> :	0,15%
Pressure required:	12 Pa
Weight: CH 900/500/560	230/245 kg
CH VD 970/480/540	280/295 kg



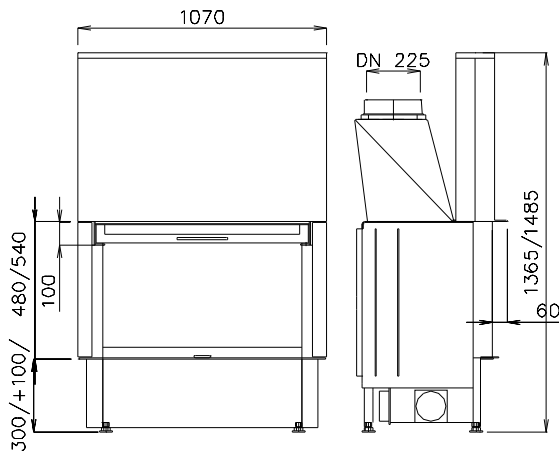
**CHOPOK 1000/500,560**

Range 1000

- Basic Model: **CHOPOK 1000/500,560**
- Convection Casing (DP): *CHOPOK 1000/500,560-DP*

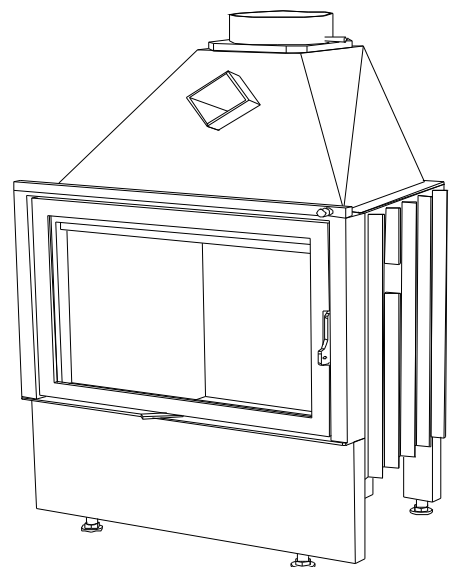


- Vertical Opening Door (VD): *CHOPOK VD 1070/480,540*



• **Technical Data:**

Type:	CHOPOK 1000/500,560	
Average heat output:	12	
Operating heat power:	4-15 kW	
Flue gas mass flow:	18g/s	
Flue gas temperature:	300 °C	
Emission of CO to 13 % O <sub>2</sub> :	0,20%	
Pressure required:	12 Pa	
Weight: CH 1000/500/560	250/270 kg	
CH VD 1070/480/540	300/320 kg	

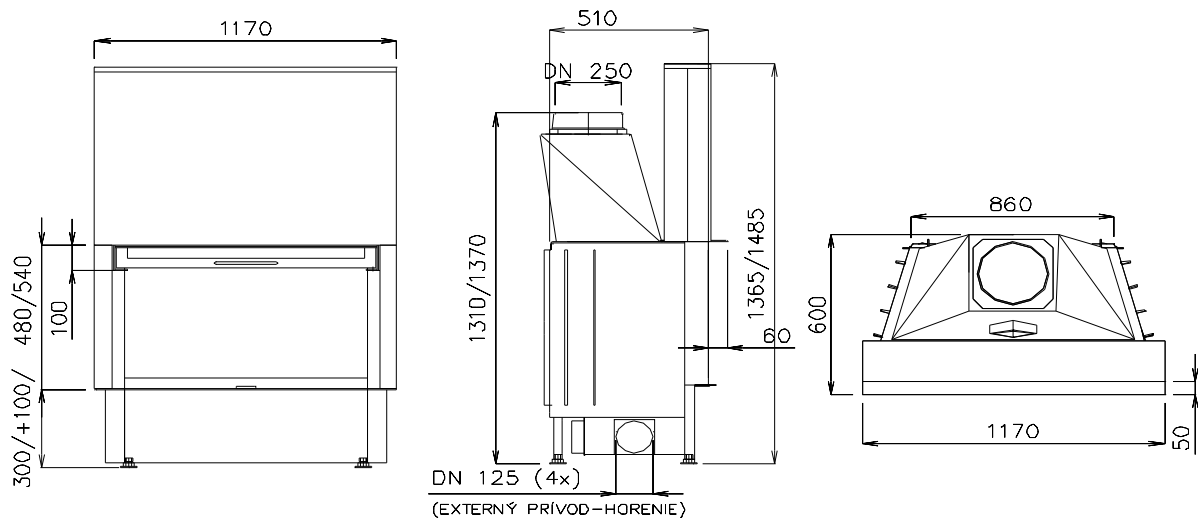




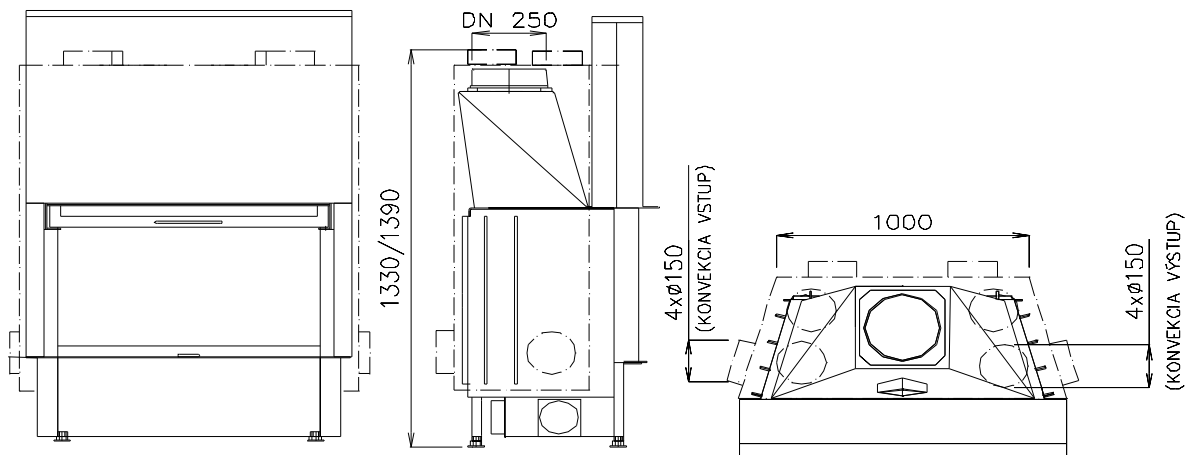
**CHOPOK 1100/500,560**

Range 1100

• Basic Model - Vertical Opening Door: **CHOPOK VD 1170/480,540**

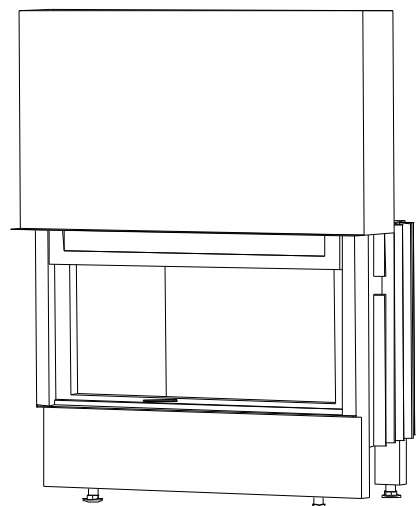


• Convection Casing (DP): **CHOPOK VD1170/480,540-DP**



• Technical Data:

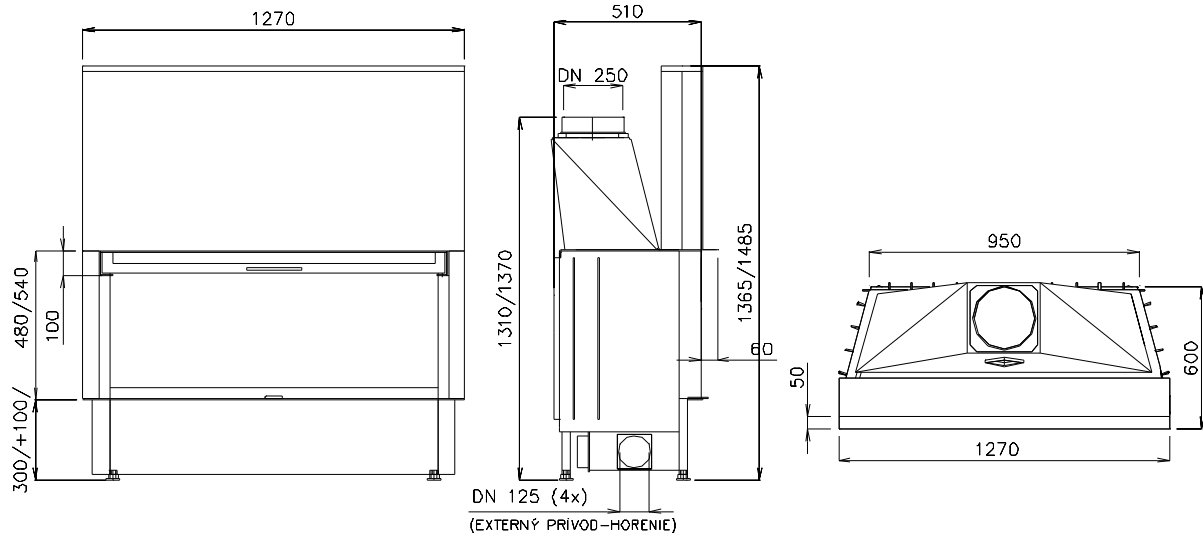
Type:	CHOPOK 1100/500,560
Average heat output:	13
Operating heat power:	4-16 kW
Flue gas mass flow:	16 g/s
Flue gas temperature:	260 °C
Emission of CO to 13 % O <sub>2</sub> :	0,25%
Pressure required:	12 Pa
Weight: CH VD 1170/480/540	310/340 kg



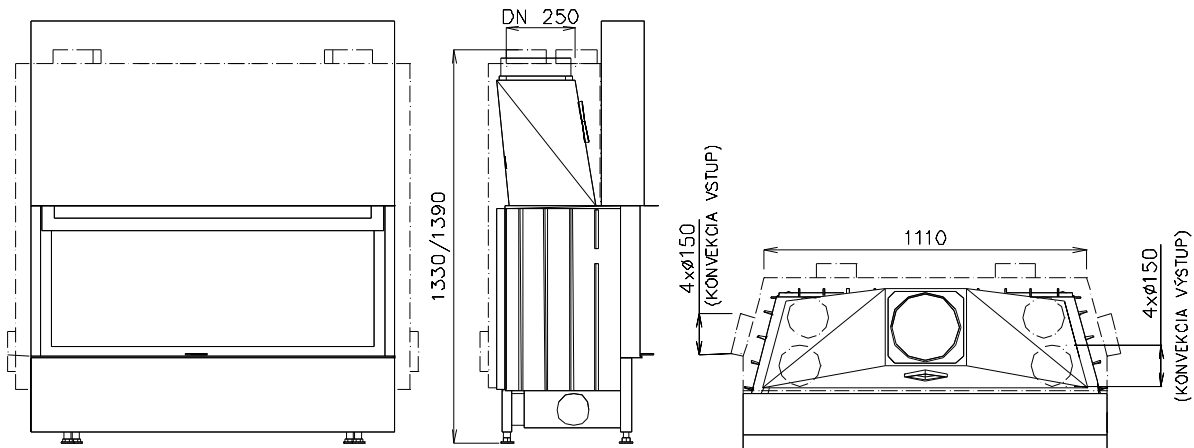
**CHOPOK 1200/500,560**

Range 1200

- Basic Model - Vertical Opening Door: **CHOPOK VD 1270/480,540**

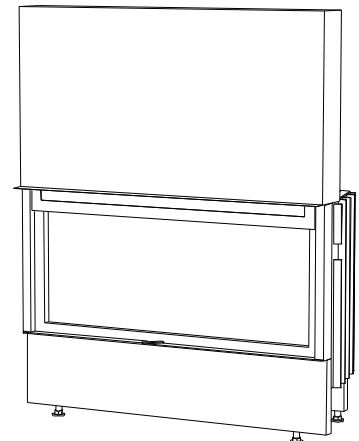


- Convection Casing (DP): **CHOPOK VD 1270/480,540-DP**



- Technical Data:

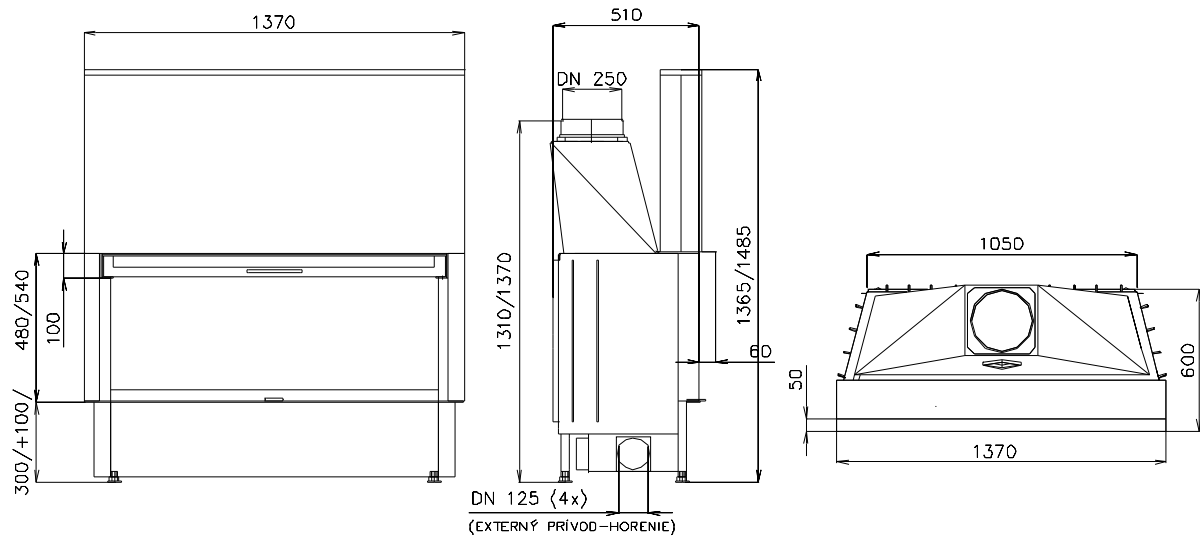
Type:	CHOPOK 1200/500,560
Average heat output:	13
Operating heat power:	4-16 kW
Flue gas mass flow:	16 g/s
Flue gas temperature:	250 °C
Emission of CO to 13 % O <sub>2</sub> :	0,30%
Pressure required:	12 Pa
Weight: CH VD 1270/480/540	340/380 kg



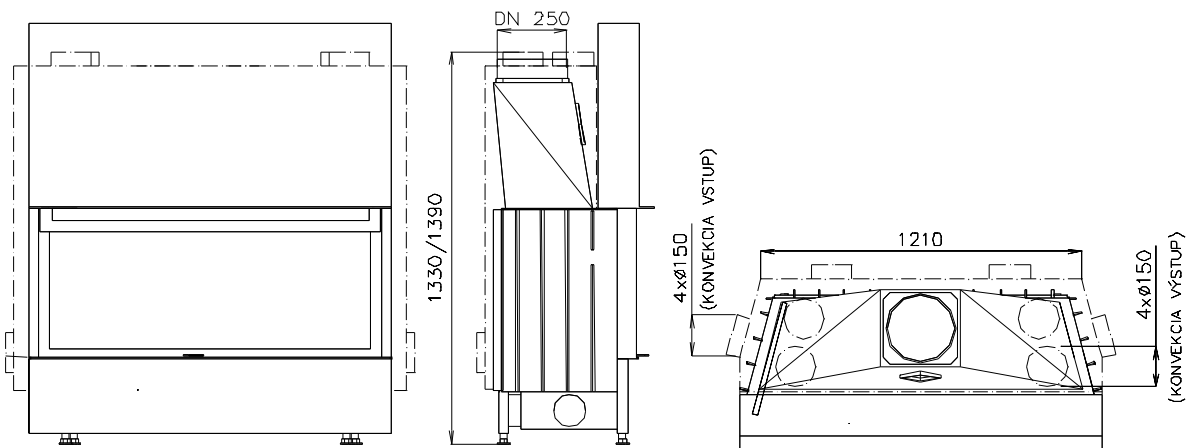
**CHOPOK 1300/500,560**

Range 1300

- Basic Model - Vertical Opening Door (VD): **CHOPOK VD 1370/480,540**

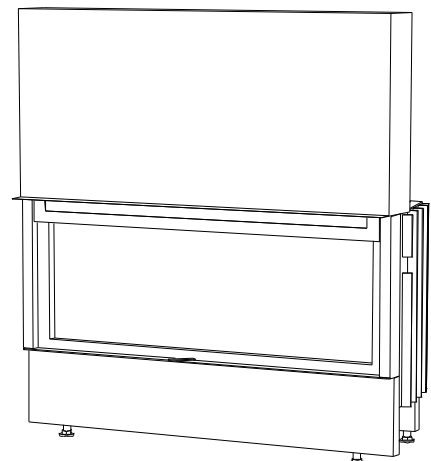


- Convection Casing (DP): **CHOPOK VD 1300/500,560-DP**



- Technical Data:

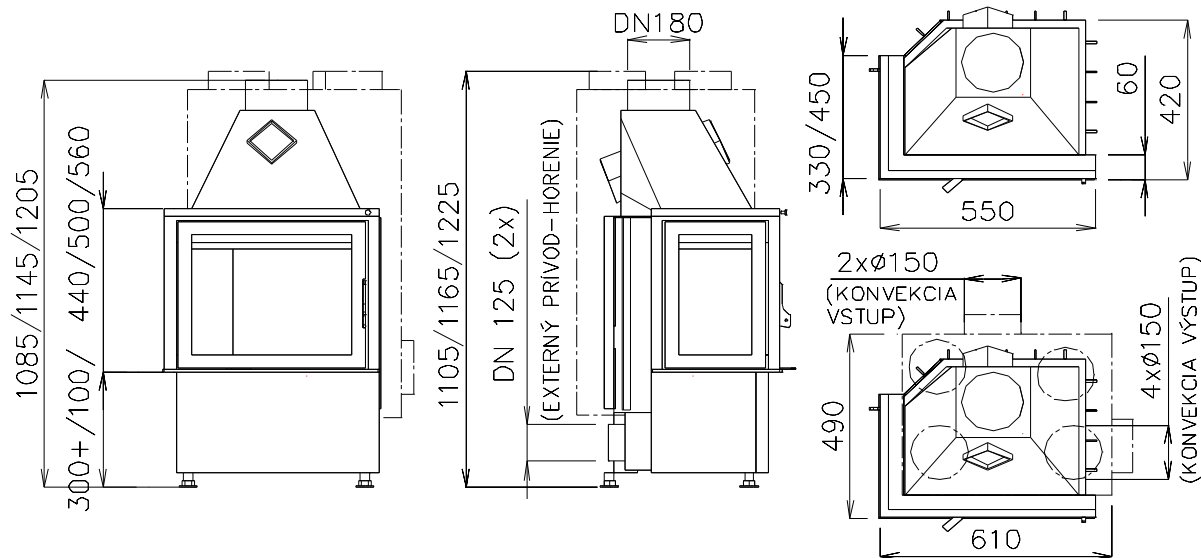
Type:	CHOPOK 1300/500,560
Average heat output:	13
Operating heat power:	4-16 kW
Flue gas mass flow:	15 g/s
Flue gas temperature:	250 °C
Emission of CO to 13 % O <sub>2</sub> :	0,35%
Pressure required:	12 Pa
Weight: CH VD 1370/480/540	360/410 kg



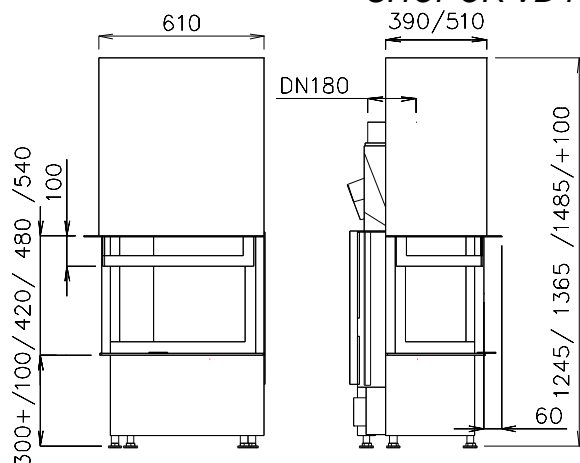
**CHOPOK R 90/330 L/P 550/440,500,560**  
**CHOPOK R 90/450 L/P 550/440,500,560**

Range 550

- Basic Model: **CHOPOK R 90/330 L/P 550/440,500,560**  
**CHOPOK R 90/450 L/P 550/440,500,560**
- Convection Casing (DP): *CHOPOK R 90/330 L/P 550/440,500,560-DP*  
*CHOPOK R 90/450 L/P 550/440,500,560-DP*

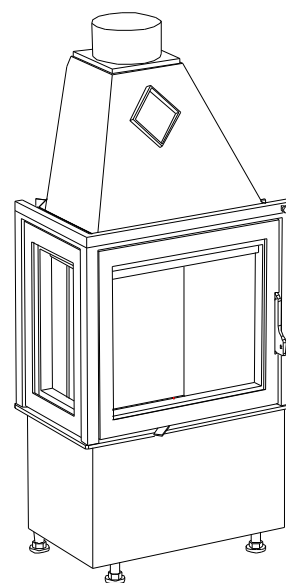


- Vertical Opening Door (VD): *CHOPOK VD R 90/380 L/P 600/420,480,540*  
*CHOPOK VD R 90/500 L/P 600/420,480,540*



• **Technical Data:**

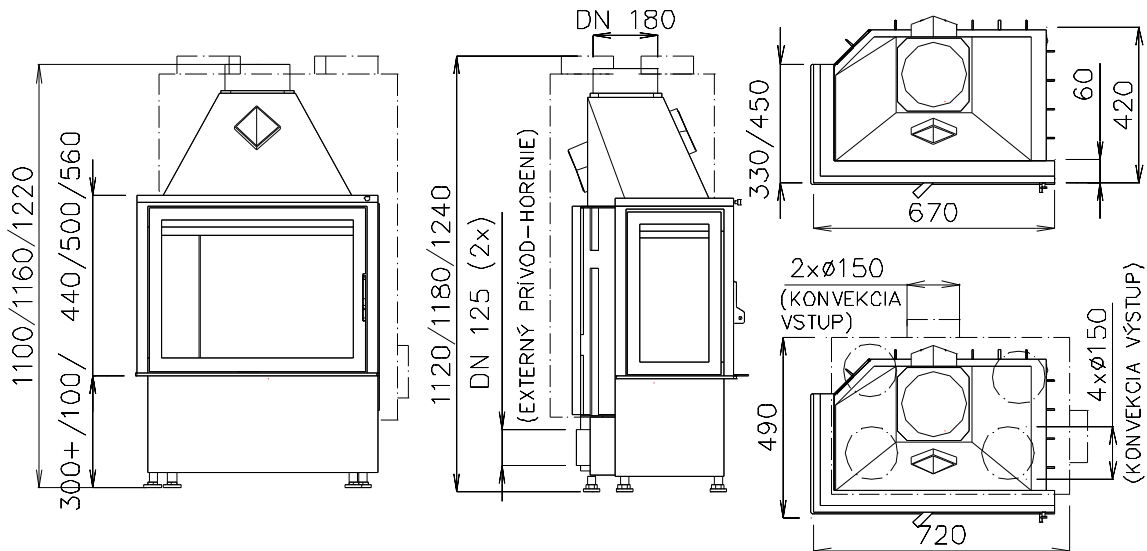
Type:CHOPOK R 90/330 L/P 550/440,500,560	2-10 kW
Type:CHOPOK R 90/450 L/P 550/440,500,560	12 g/s
Average heat output: 8 kW	240 °C
Operating heat power:	0,12%
Flue gas mass flow:	12 Pa
Flue gas temperature:	140/145/150
Emission of CO to 13 % O <sub>2</sub> :	170/175/180
Pressure required:	135/140/145
Weight:CHOPOK R 90/330 L/P 550/440,500,560	165/170/175
CHOPOK VD R 90/380 L/P 600/420,480,540	
CHOPOK R 90/450 L/P 550/440,500,560	
CHOPOK VD R 90/500 L/P 600/420,480,540	



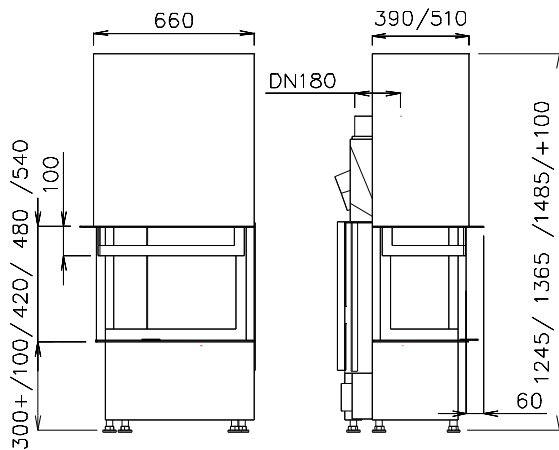
**CHOPOK R 90/330 L/P 600/440,500,560**  
**CHOPOK R 90/450 L/P 600/440,500,560**

Range 600

- Basic Model: **CHOPOK R 90/330 L/P 600/440,500,560**  
**CHOPOK R 90/450 L/P 600/440,500,560**
- Convection Casing (DP): *CHOPOK R 90/330 L/P 600/440,500,560-DP*  
*CHOPOK R 90/450 L/P 600/440,500,560-DP*

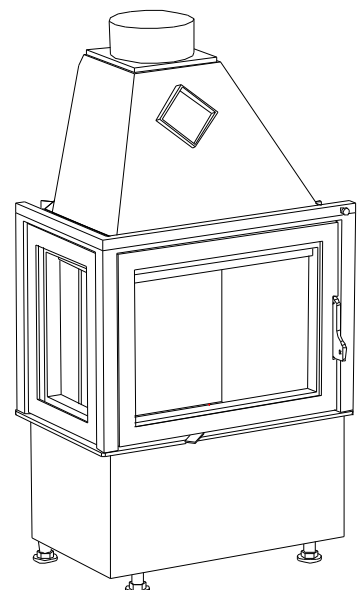


- Vertical Opening Door (VD): *CHOPOK VD R 90/380 L/P 650/420,480,540*  
*CHOPOK VD R 90/500 L/P 650/420,480,540*



• **Technical Data:**

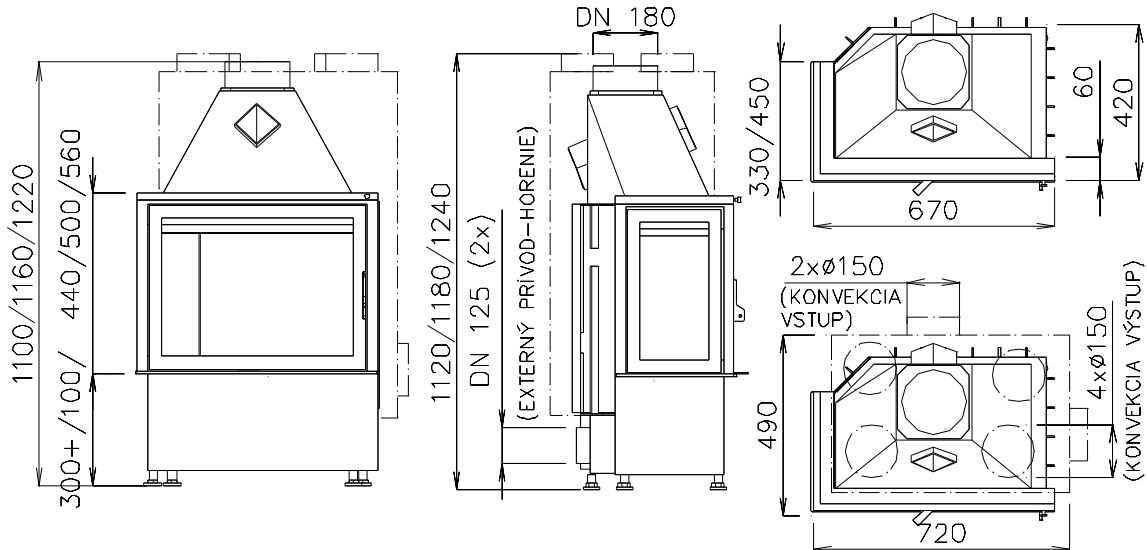
Type: CHOPOK R 90/330 L/P 600/440,500,560	
Type: CHOPOK R 90/450 L/P 600/440,500,560	
Average heat output:	8,5 kW
Operating heat power:	2,5-10,5 kW
Flue gas mass flow:	15 g/s
Flue gas temperature:	250 °C
Emission of CO to 13 % O <sub>2</sub> :	0,12%
Pressure required:	12 Pa
Weight: CHOPOK R 90/330 L/P 600/440,500,560	155/160/165
CHOPOK VD R 90/380 L/P 650/420,480,540	185/195/205
CHOPOK R 90/450 L/P 600/440,500,560	150/155/160
CHOPOK VD R 90/500 L/P 650/420,480,540	180/190/200



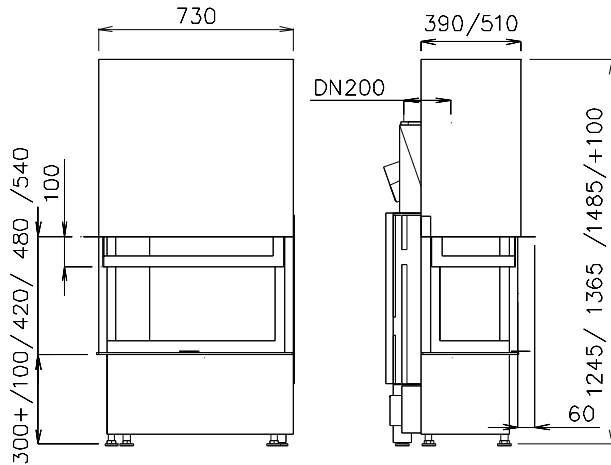
**CHOPOK R 90/330 L/P 670/440,500,560**  
**CHOPOK R 90/450 L/P 670/440,500,560**

Range 670

- Basic Model: **CHOPOK R 90/330 L/P 670/440,500,560**  
**CHOPOK R 90/450 L/P 670/440,500,560**
- Convection Casing (DP): **CHOPOK R 90/330 L/P 670/440,500,560-DP**  
**CHOPOK R 90/450 L/P 670/440,500,560-DP**

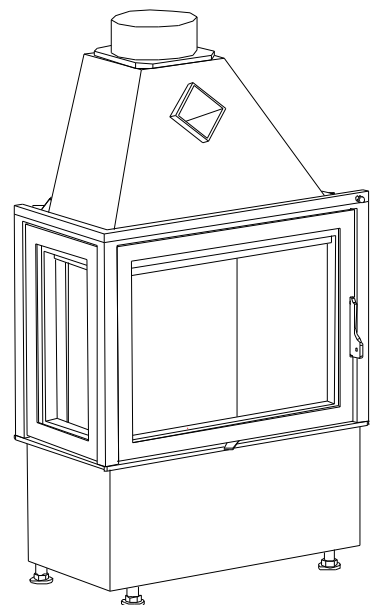


- Vertical Opening Door (VD): **CHOPOK VD R 90/380 L/P 720/420,480,540**  
**CHOPOK VD R 90/500 L/P 720/420,480,540**



• **Technical Data:**

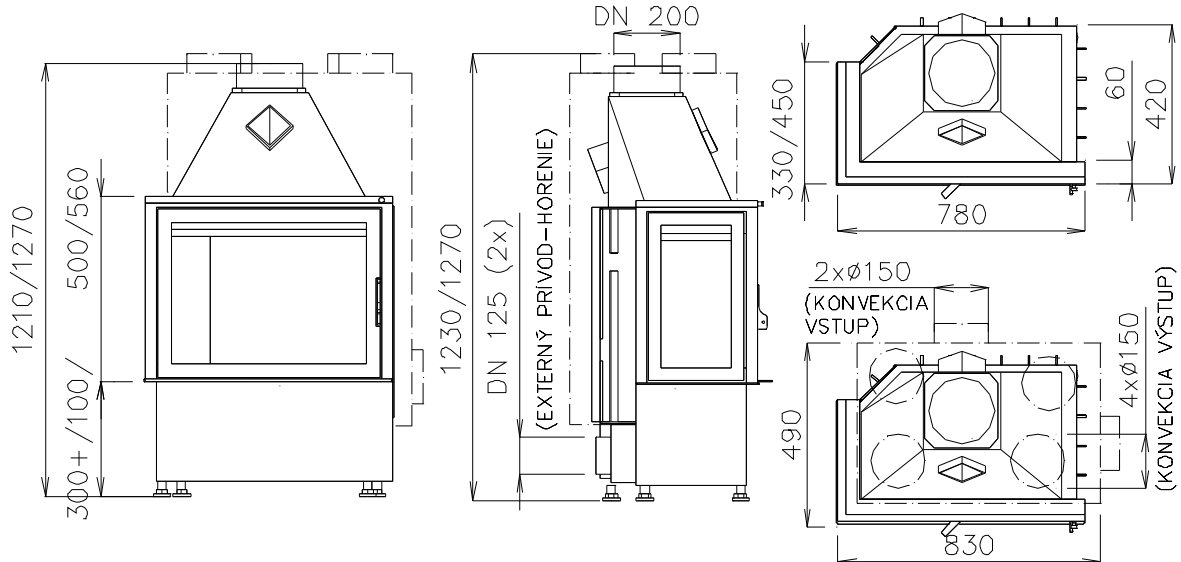
Type: CHOPOK R 90/330 L/P 670/440,500,560	
Type: CHOPOK R 90/450 L/P 670/440,500,560	
Average heat output:	9 kW
Operating heat power:	3-11 kW
Flue gas mass flow:	20 g/s
Flue gas temperature:	280 °C
Emission of CO to 13 % O <sub>2</sub> :	0,10%
Pressure required:	12 Pa
Weight: CHOPOK R 90/330 L/P 670/440,500,56	155/170/185
CHOPOK VD R 90/380 L/P 720/420,480,540	205/215/225
CHOPOK R 90/450 L/P 670/440,500,560	150/165/180
CHOPOK VD R 90/500 L/P 720/420,480,540	200/210/220



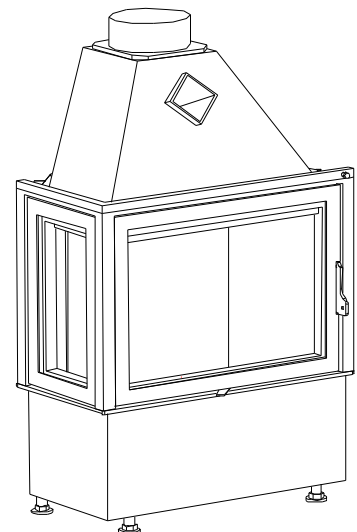
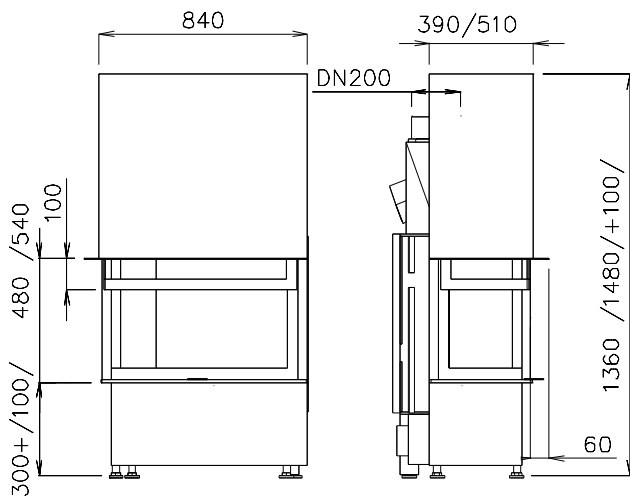
**CHOPOK R 90/330 L/P 780/500,560**  
**CHOPOK R 90/450 L/P 780/500,560**

Range 780

- Basic Model: **CHOPOK R 90/330 L/P 780/500,560**  
**CHOPOK R 90/450 L/P 780/500,560**
- Convection Casing (DP): *CHOPOK R 90/330 L/P 780/500,560-DP*  
*CHOPOK R 90/450 L/P 780/500,560-DP*



- Vertical Opening Door (VD): *CHOPOK VD R 90/380 L/P 830/480,540*  
*CHOPOK VD R 90/500 L/P 830/480,540*



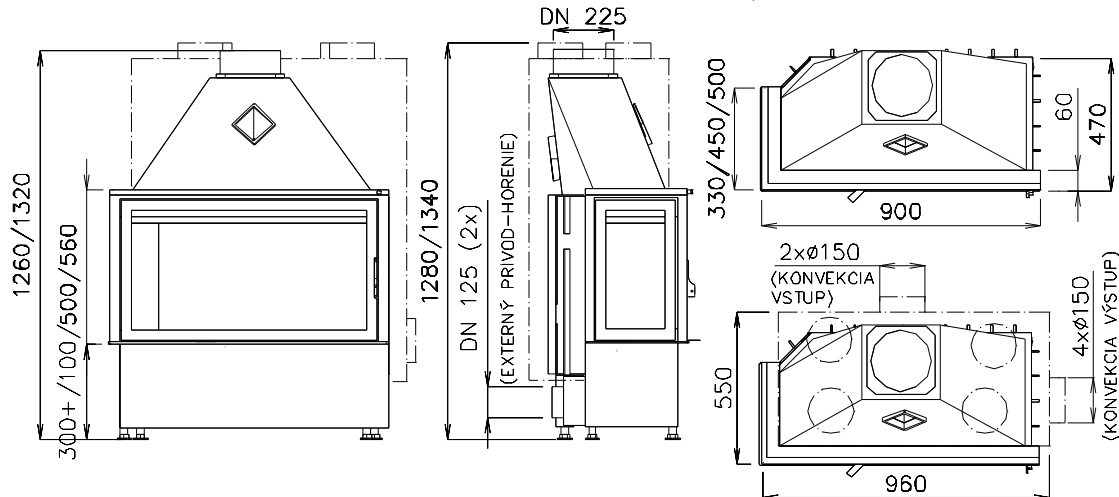
• **Technical Data:**

Type:CHOPOK R 90/330 L/P 780/500,560	
Type:CHOPOK R 90/450 L/P 780/500,560	
Average heat output:	10 Kw
Operating heat power:	3-12,5 kW
Flue gas mass flow:	20 g/s
Flue gas temperature:	320 °C
Emission of CO to 13 % O <sub>2</sub> :	0,10%
Pressure required:	12 Pa
Weight:CHOPOK R 90/330 L/P 780/500,560	195/210
CHOPOK VD R 90/380 L/P 830/480,540	215/250
CHOPOK R 90/450 L/P 780/500,560	190/20
CHOPOK VD R 90/500 L/P 830/480,540	210/24

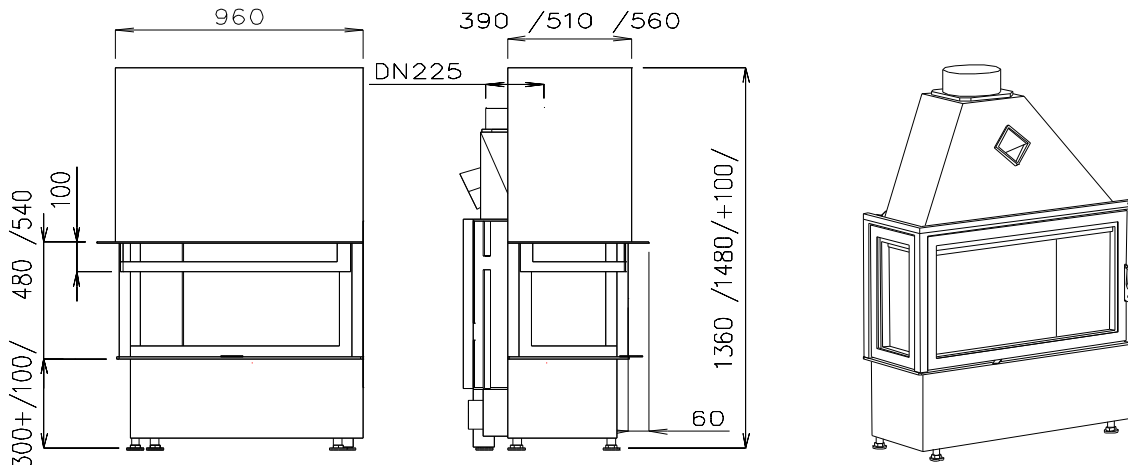
**CHOPOK R 90/330 L/P 900/500,560**  
**CHOPOK R 90/450 L/P 900/500,560**  
**CHOPOK R 90/500 L/P 900/500,560**

Range 900

- Basic Model: **CHOPOK R 90/330 L/P 900/500,560**  
**CHOPOK R 90/450 L/P 900/500,560**  
**CHOPOK R 90/500 L/P 900/500,560**
- Convection Casing (DP): *CHOPOK R 90/330 L/P 900/500,560-DP*  
*CHOPOK R 90/450 L/P 900/500,560-DP*  
**CHOPOK R 90/500 L/P 900/500,560-DP**



- Vertical Opening Door (VD): *CHOPOK VD R 90/380 L/P 950/480,540*  
*CHOPOK VD R 90/500 L/P 950/480,540*  
**CHOPOK VD R 90/550 L/P 950/480,540**



• **Technical Data:**

Type: CHOPOK R 90/330 L/P 900/500,560  
 Type: CHOPOK R 90/450 L/P 900/500,560  
 Type: CHOPOK R 90/500 L/P 900/500,560  
 Average heat output: 11 kW  
 Operating heat power: 3,5-14 kW  
 Flue gas mass flow: 18 g/s  
 Flue gas temperature: 300 °C  
 Emission of CO to 13 % O<sub>2</sub>: 0,15%

Pressure required: 12 Pa

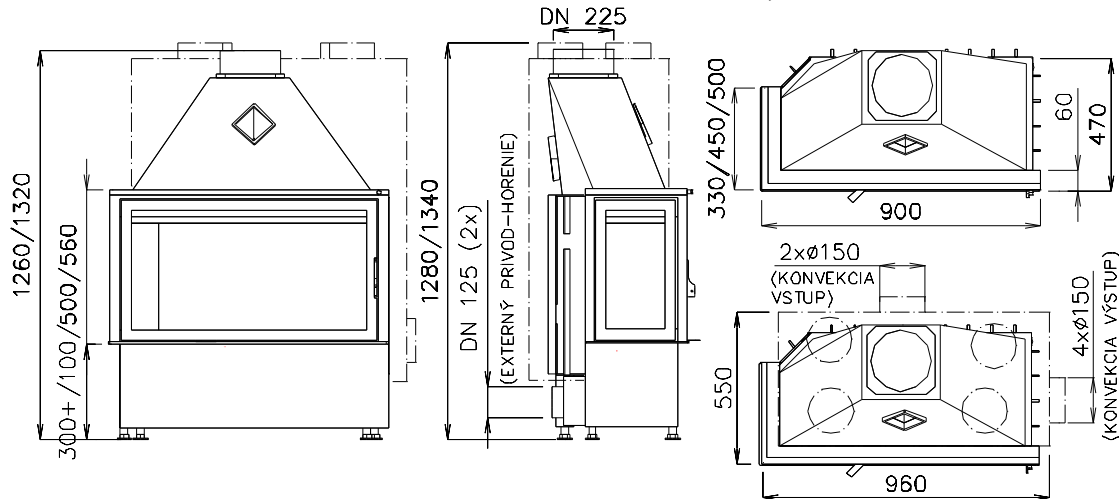
Weight:

CHOPOK R 90/330 L/P 900/500,560	210/225
CHOPOK VD R 90/380 L/P 950/500,560	270/285
CHOPOK R 90/450 L/P 900/500,560	205/220
CHOPOK VD R 90/500 L/P 950/500,560	265/280
CHOPOK R 90/500 L/P 900/500,560	200/215
CHOPOK VD R 90/550 L/P 950/500,560	260/275

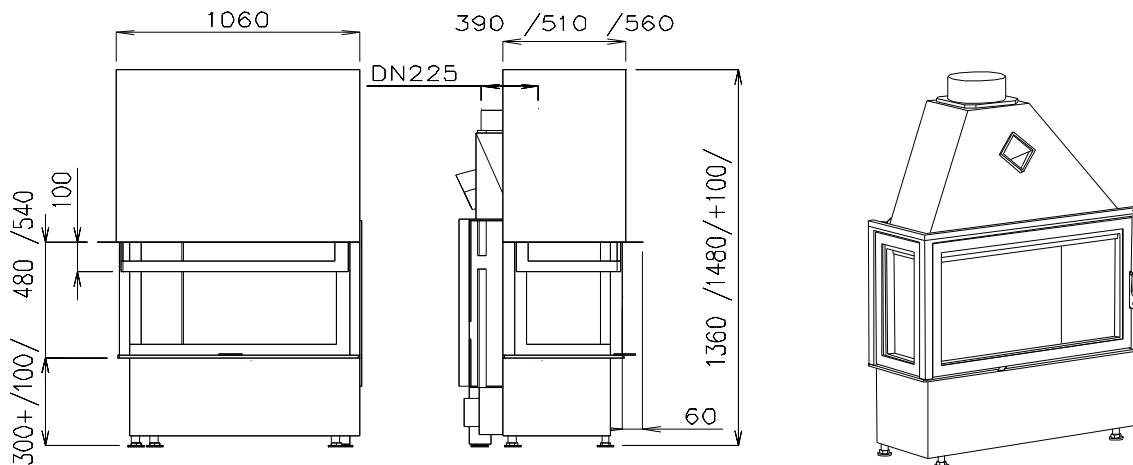


**CHOPOK R 90/330 L/P 1000/500,560**  
**CHOPOK R 90/450 L/P 1000/500,560**  
**CHOPOK R 90/500 L/P 1000/500,560**

- Basic Model: **CHOPOK R 90/330 L/P 1000/500,560**  
**CHOPOK R 90/450 L/P 1000/500,560**  
**CHOPOK R 90/500 L/P 1000/500,560**
- Convection Casing (DP): **CHOPOK R 90/330 L/P 1000/500,560-DP**  
**CHOPOK R 90/450 L/P 1000/500,560-DP**  
**CHOPOK R 90/500 L/P 1000/500,560-DP**



- Vertical Opening Door (VD): **CHOPOK VD R 90/380 L/P 1050/480,540**  
**CHOPOK VD R 90/500 L/P 1050/480,540**  
**CHOPOK VD R 90/550 L/P 1050/480,540**



• **Technical Data:**

Type: CHOPOK R 90/330 L/P 1000/500,560  
 Type: CHOPOK R 90/450 L/P 1000/500,560  
 Type: CHOPOK R 90/500 L/P 1000/500,560  
 Average heat output: 12 kW  
 Operating heat power: 4-15 kW  
 Flue gas mass flow: 18 g/s  
 Flue gas temperature: 300 °C  
 Emission of CO to 13 % O<sub>2</sub>: 0,20%

Pressure required: 12 Pa

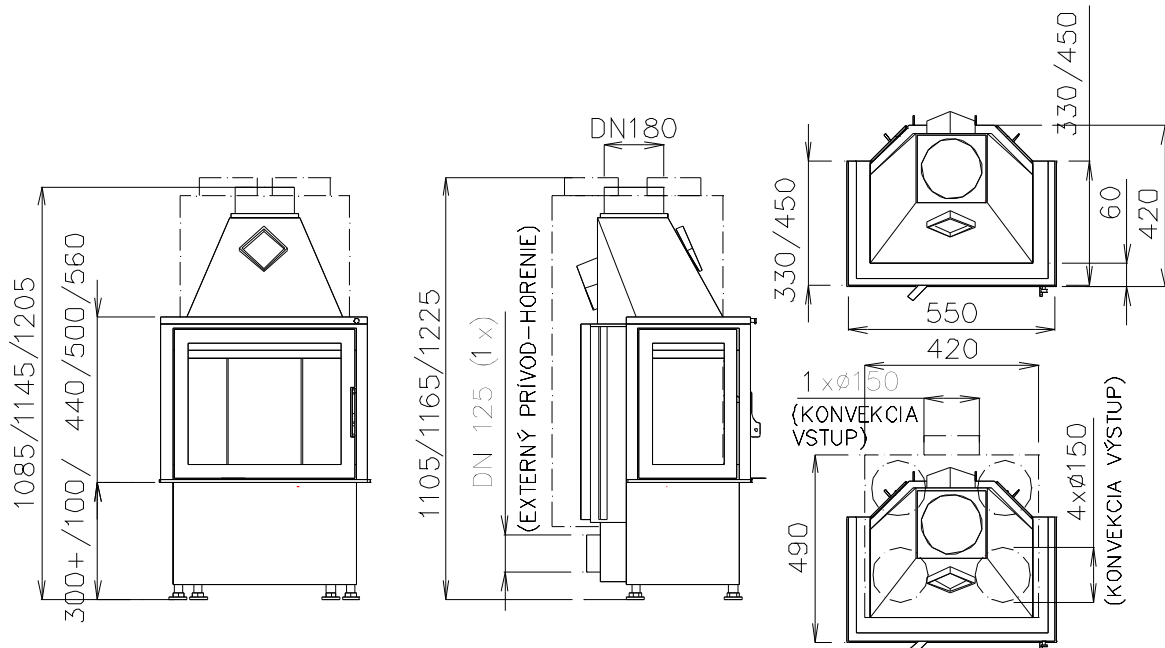
Weight:

CHOPOK R 90/330 L/P 1000/500,560	220/235
CHOPOK VD R 90/380 L/P 1050/480,540	280/295
CHOPOK R 90/450 L/P 1000/500,560	225/240
CHOPOK VD R 90/500 L/P 1050/480,540	285/300
CHOPOK R 90/500 L/P 1000/500,560	230/245
CHOPOK VD R 90/550 L/P 1050/480,540	290/310

**CHOPOK 2R 90/330 L/P 550/440,500,560**  
**CHOPOK 2R 90/450 L/P 550/440,500,560**

Range 550

- Basic Model: **CHOPOK 2R 90/330 L/P 550/440,500,560**  
**CHOPOK 2R 90/450 L/P 550/440,500,560**
- Convection Casing (DP): *CHOPOK 2R 90/330 L/P 550/440,500,560-DP*  
*CHOPOK 2R 90/450 L/P 550/440,500,560-DP*

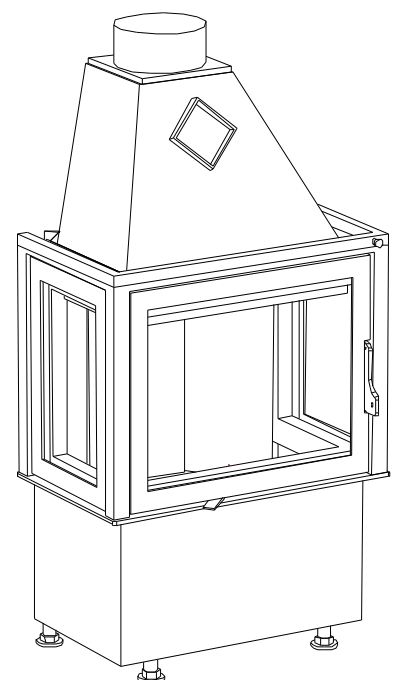


- Vertical Opening Door (VD): *CHOPOK VD2 R 90/380 L/P 590/420,480,540*  
*CHOPOK VD 2R 90/500 L/P 590/420,480,540*

• **Technical Data:**

Type: CHOPOK 2R 90/330 L/P 550/440,500,560	
Type: CHOPOK 2R 90/450 L/P 550/440,500,560	
Average heat output:	8 kW
Operating heat power:	2-10 kW
Flue gas mass flow:	12 g/s
Flue gas temperature:	240°C
Emission of CO to 13 % O <sub>2</sub> :	0,12%
Pressure required:	12 Pa
Weight: CHOPOK 2R 90/330 L/P 550/440,500,560	125/130/135

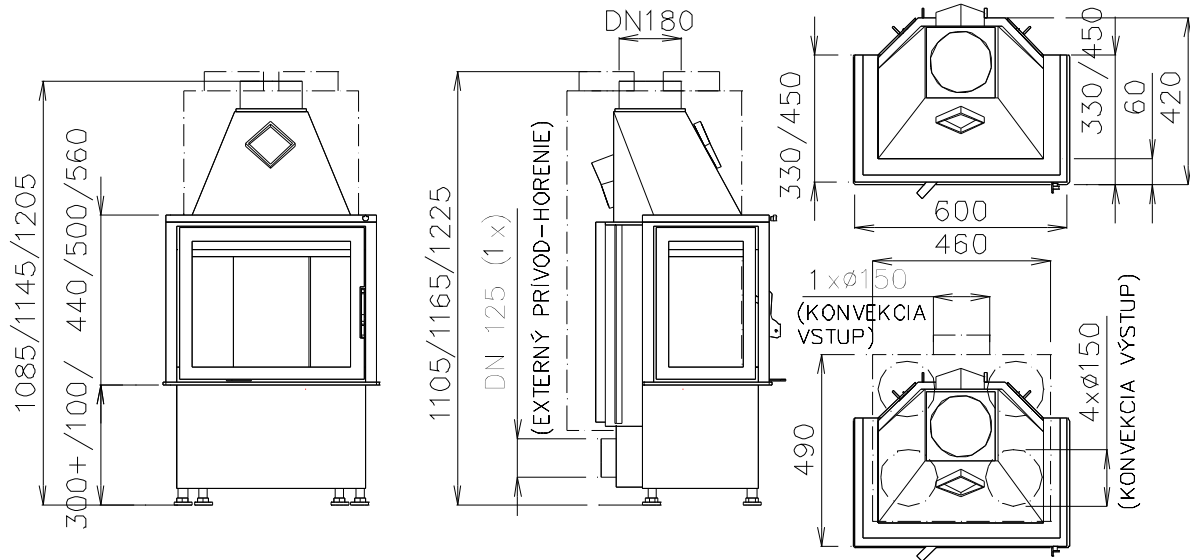
CHOPOK 2R 90/450 L/P 550/440,500,560 120/125/130



**CHOPOK 2R 90/330 L/P 600/440,500,560**  
**CHOPOK 2R 90/450 L/P 600/440,500,560**

Range 600

- Basic Model: **CHOPOK 2R 90/330 L/P 600/440,500,560**  
**CHOPOK 2R 90/450 L/P 600/440,500,560**
- Convection Casing (DP): **CHOPOK 2R 90/330 L/P 600/440,500,560-DP**  
**CHOPOK 2R 90/450 L/P 600/440,500,560-DP**

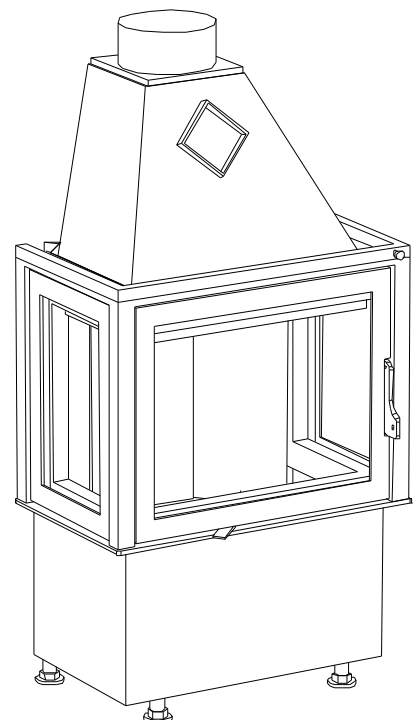


- Vertical Opening Door (VD): **CHOPOK VD2R 90/380 L/P 640/420,480,540**  
**CHOPOK VD 2R 90/500 L/P 640/420,480,540**

• **Technical Data:**

Type: CHOPOK 2R 90/330 L/P 600/440,500,560  
 Type: CHOPOK 2R 90/450 L/P 600/440,500,560  
 Average heat output: 8,5 kW  
 Operating heat power: 2,5-10,5 kW  
 Flue gas mass flow: 15 g/s  
 Flue gas temperature: 250 °C  
 Emission of CO to 13 % O<sub>2</sub>: 0,12%  
 Pressure required: 12 Pa  
 Weight: CHOPOK 2R 90/330 L/P 600/440,500,560 140/145/150

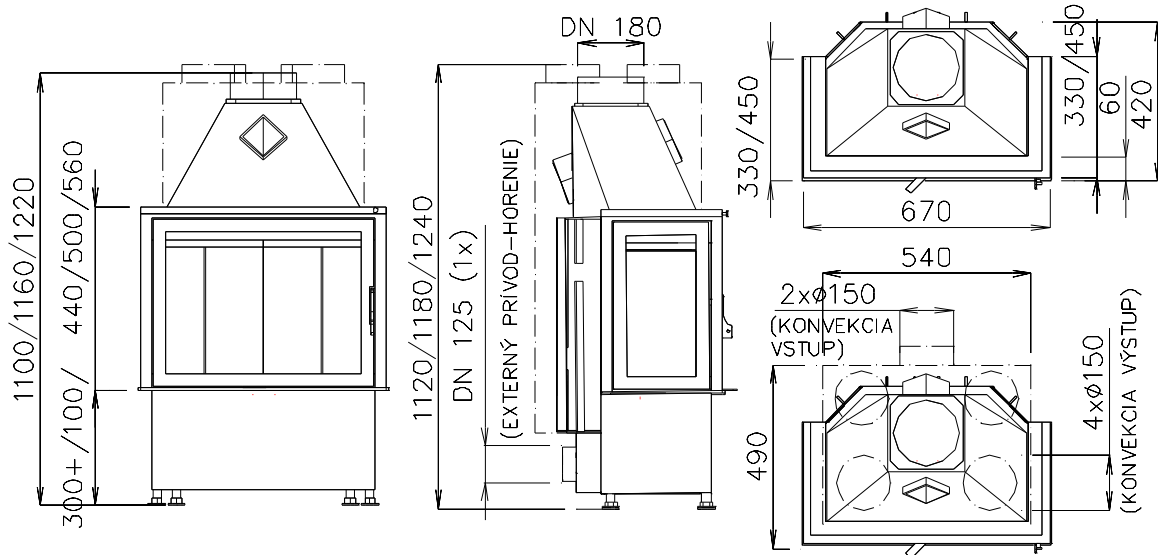
CHOPOK 2R 90/450 L/P 600/440,500,560 130/135/140



**CHOPOK 2R 90/330 L/P 670/440,500,560**  
**CHOPOK 2R 90/450 L/P 670/440,500,560**

Range 670

- Basic Model: **CHOPOK 2R 90/330 L/P 670/440,500,560**  
**CHOPOK 2R 90/450 L/P 670/440,500,560**
- Convection Casing (DP): *CHOPOK 2R 90/330 L/P 670/440,500,560-DP*  
*CHOPOK 2R 90/450 L/P 670/440,500,560-DP*

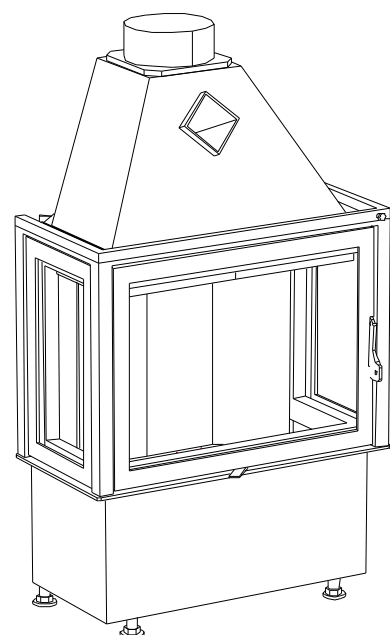


- Vertical Opening Door (VD): *CHOPOK VD 2R 90/380 L/P 710/420,480,540*  
*CHOPOK VD 2R 90/500 L/P 710/420,480,540*

• **Technical Data:**

Type: CHOPOK 2R 90/330 L/P 670/440,500,560  
 Type: CHOPOK 2R 90/450 L/P 670/440,500,560  
 Average heat output: 9 kW  
 Operating heat power: 3-11 kW  
 Flue gas mass flow: 20 g/s  
 Flue gas temperature: 28 °C  
 Emission of CO to 13 % O<sub>2</sub>: 0,10%  
 Pressure required: 12 Pa  
 Weight: CHOPOK 2R 90/330 L/P 670/440,500,560 155/160/165

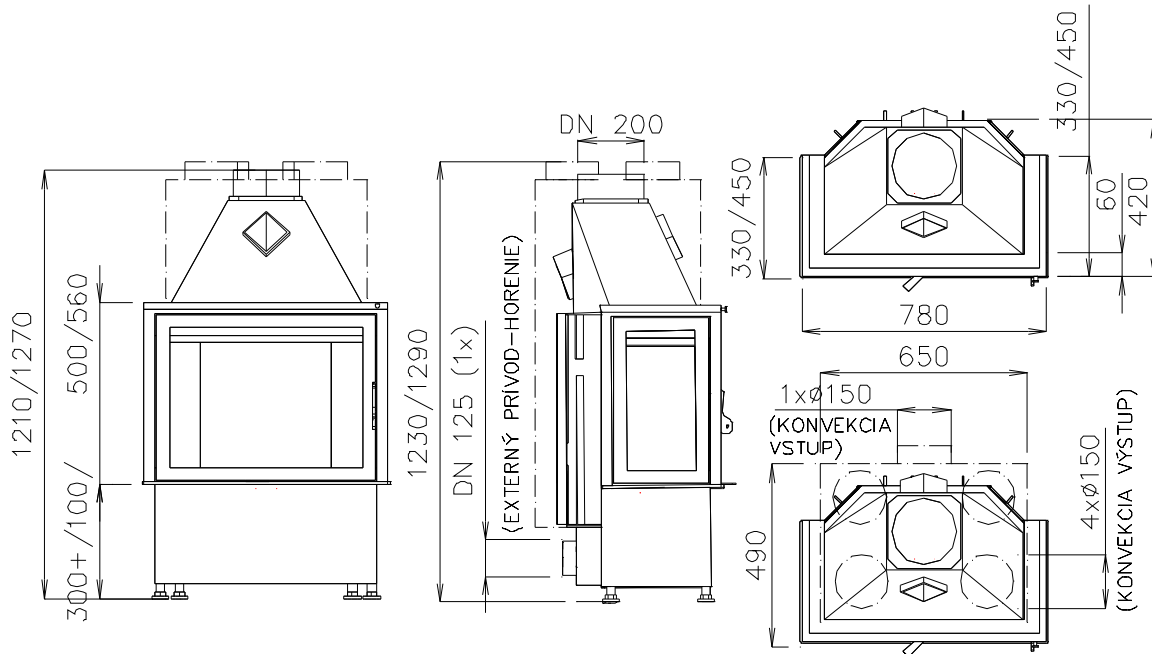
CHOPOK 2R 90/450 L/P 670/440,500,560 150/155/160



**CHOPOK 2R 90/330 L/P 780/500,560**  
**CHOPOK 2R 90/450 L/P 780/500,560**

Range 780

- Basic Model: **CHOPOK 2R 90/330 L/P 780/500,560**  
**CHOPOK 2R 90/450 L/P 780/500,560**
- Convection Casing (DP): *CHOPOK 2R 90/330 L/P 780/500,560-DP*  
*CHOPOK 2R 90/450 L/P 780/500,560-DP*

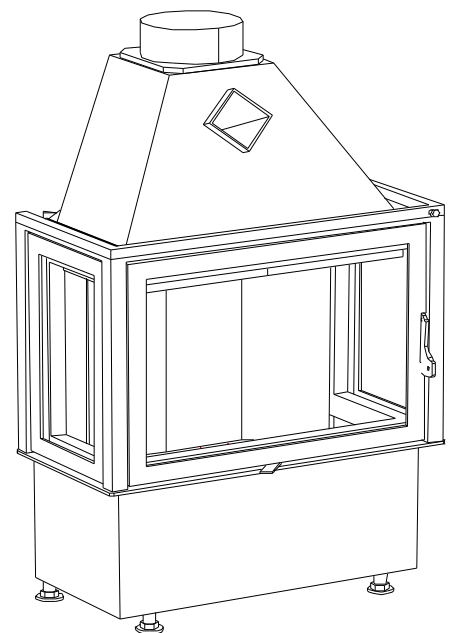


- Vertical Opening Door (VD): *CHOPOK VD 2R 90/380 L/P 820/480,540*  
*CHOPOK VD 2R 90/500 L/P 820/480,540*

• **Technical Data:**

Type:CHOPOK 2R 90/330 L/P 780/500,560	
Type:CHOPOK 2R 90/450 L/P 780/500,560	
Average heat output:	10 kW
Operating heat power:	3-12,5 kW
Flue gas mass flow:	20 g/s
Flue gas temperature:	320 °C
Emission of CO to 13 % O <sub>2</sub> :	0,10%
Pressure required:	12 Pa
Weight:CHOPOK 2R 90/330 L/P 780/500,560	170/190

CHOPOK 2R 90/450 L/P 780/500,560 165/185

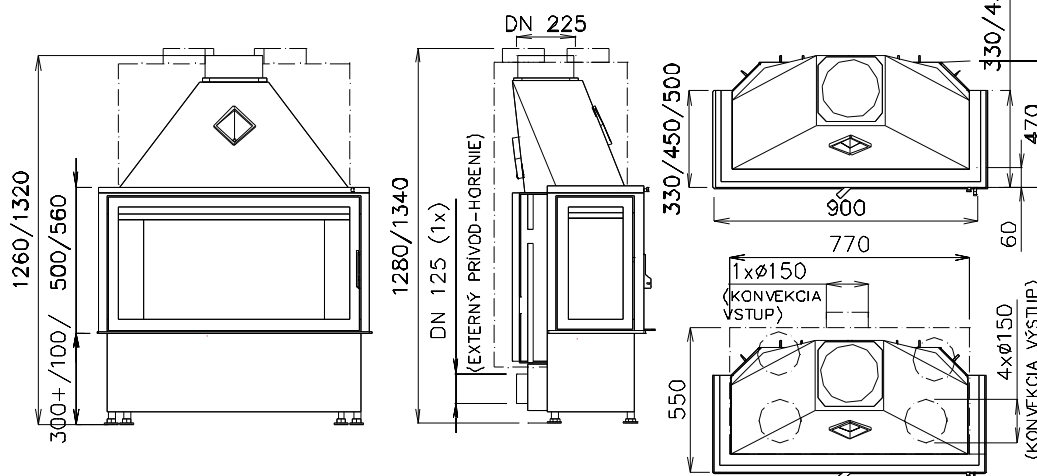


**CHOPOK 2R 90/330 L/P 900/500,560**

**CHOPOK 2R 90/450 L/P 900/500,560**

**CHOPOK 2R 90/500 L/P 900/500,560**

- Basic Model: **CHOPOK 2R 90/330 L/P 900/500,560**  
**CHOPOK 2R 90/450 L/P 900/500,560**  
**CHOPOK 2R 90/500 L/P 900/500,560**
- Convection Casing (DP): *CHOPOK 2R 90/330 L/P 900/500,560-DP*  
*CHOPOK 2R 90/450 L/P 900/500,560-DP*  
*CHOPOK 2R 90/500 L/P 900/500,560-DP*



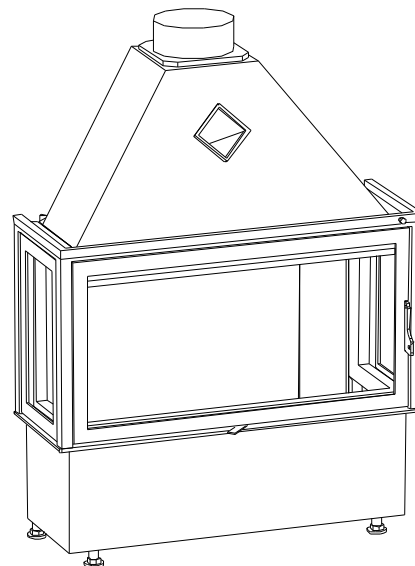
- Vertical Opening Door (VD): *CHOPOK VD 2R 90/380 L/P 940/480,540*  
*CHOPOK VD 2R 90/500 L/P 940/480,540*  
*CHOPOK VD 2R 90/550 L/P 940/480,540*

• **Technical Data:**

Type: CHOPOK 2R 90/330 L/P 900/500,560  
 Type: CHOPOK 2R 90/450 L/P 900/500,560  
 Type: CHOPOK 2R 90/500 L/P 900/500,560  
 Average heat output: 11 kW  
 Operating heat power: 3,5-14 kW  
 Flue gas mass flow: 18 g/s  
 Flue gas temperature: 300 °C  
 Emission of CO to 13 % O<sub>2</sub>: 0,15%  
 Pressure required: 12 Pa  
 Weight: CHOPOK 2R 90/330 L/P 900/500,560 210/225

CHOPOK 2R 90/450 L/P 900/500,560 205/220

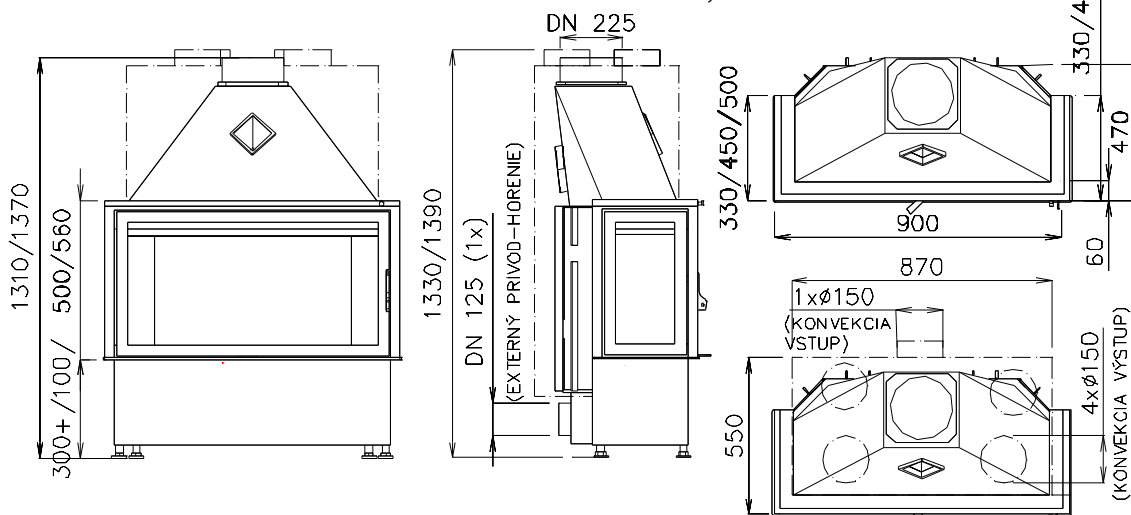
CHOPOK 2R 90/500 L/P 900/500,560 200/215



**CHOPOK 2R 90/330 L/P 1000/500,560**  
**CHOPOK 2R 90/450 L/P 1000/500,560**  
**CHOPOK 2R 90/500 L/P 1000/500,560**

Range 1000

- Basic Model: **CHOPOK 2R 90/330 L/P 1000/500,560**  
**CHOPOK 2R 90/450 L/P 1000/500,560**  
**CHOPOK 2R 90/500 L/P 1000/500,560**
- Convection Casing (DP): *CHOPOK 2R 90/330 L/P 1000/500,560-DP*  
*CHOPOK 2R 90/450 L/P 1000/500,560-DP*  
*CHOPOK 2R 90/500 L/P 1000/500,560-DP*



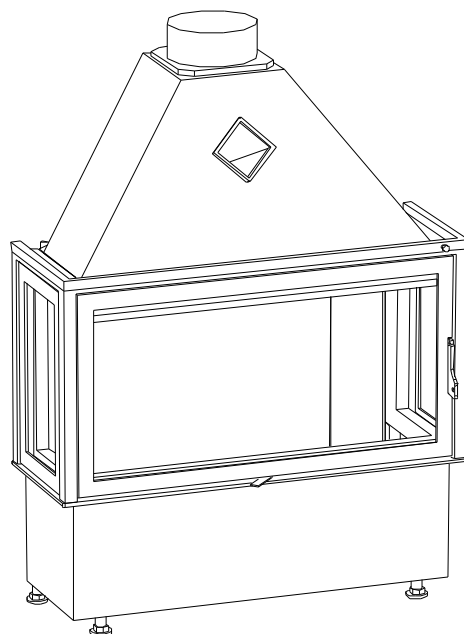
- Vertical Opening Door (VD): *CHOPOK VD 2R 90/380 L/P 1040/480,540*  
*CHOPOK VD 2R 90/500 L/P 1040/480,540*  
*CHOPOK VD 2R 90/550 L/P 1040/480,540*

• **Technical Data:**

Type: CHOPOK 2R 90/330 L/P 1000/500,560  
 Type: CHOPOK 2R 90/450 L/P 1000/500,560  
 Type: CHOPOK 2R 90/500 L/P 1000/500,560  
 Average heat output: 12 kW  
 Operating heat power: 4-15 kW  
 Flue gas mass flow: 18 g/s  
 Flue gas temperature: 300 °C  
 Emission of CO to 13 % O<sub>2</sub>: 0,20%  
 Pressure required: 12 Pa  
 Weight: CHOPOK 2R 90/330 L/P 1000/500,560 240/255

CHOPOK 2R 90/450 L/P 1000/500,560 235/250

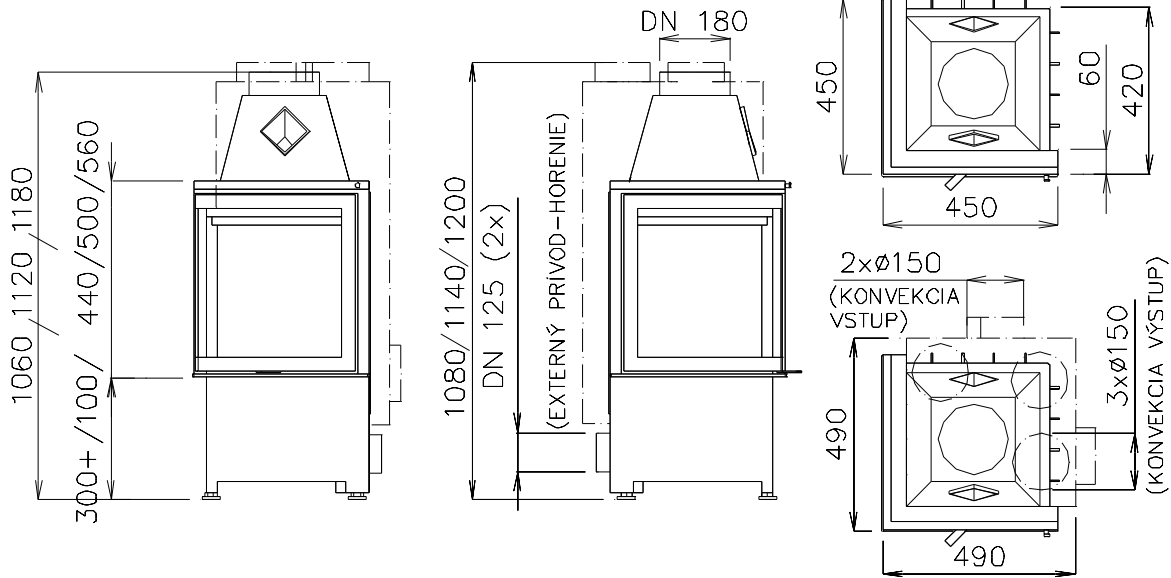
CHOPOK 2R 90/500 L/P 1000/500,560 225/245



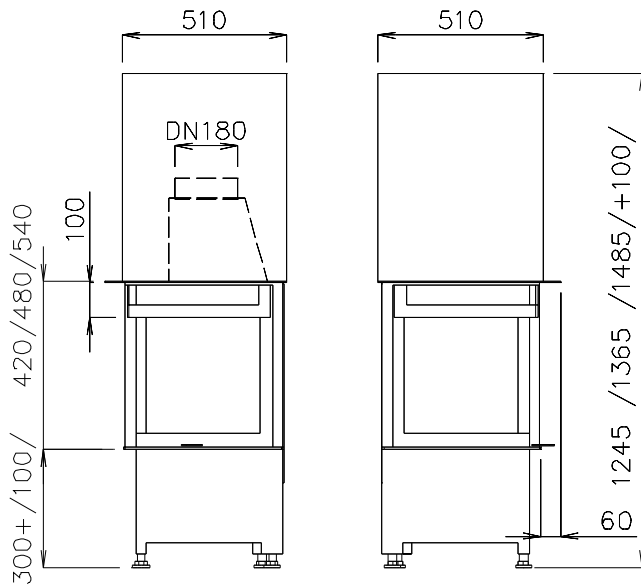
**CHOPOK R 90 S/450 L/P 450/440,500,560**

Range 450

- Basic Model: **CHOPOK R 90 S/450 L/P 450/440,500,560**
- Convection Casing (DP): **CHOPOK R 90 S/450 L/P 450/440,500,560-DP**

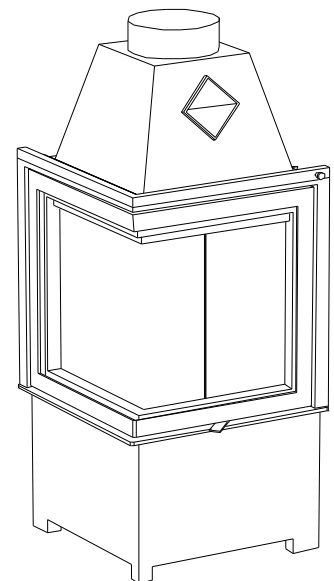


- Vertical Opening Door (VD): **CHOPOK VD R 90 S/500 L/P 500/420,480,540**



• **Technical Data:**

Type:	CHOPOK R 90 S/450 L/P 450/440,500,560
Average heat output:	5 kW
Operating heat power:	1,5-6,5 kW
Flue gas mass flow:	5 g/s
Flue gas temperature:	205 °C
Emission of CO to 13 % O <sub>2</sub> :	0,15%
Pressure required:	12 Pa
Weight:	CHOPOK R 90 S/450 L/P 450/440,500,560 135/140/145
	CHOPOK VD R 90 S/500 L/P 500/420,480,540 160/165/170

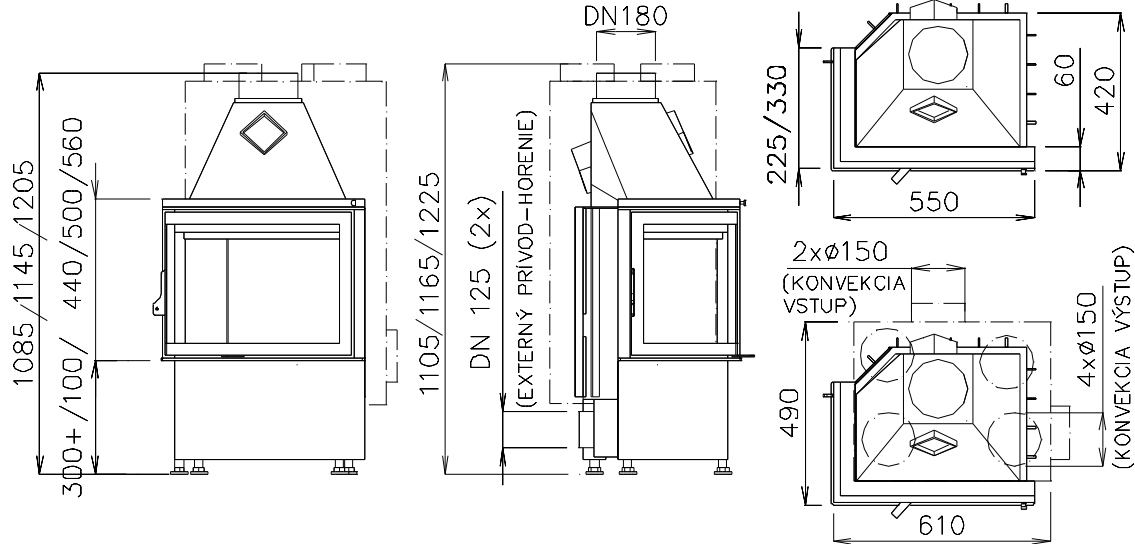




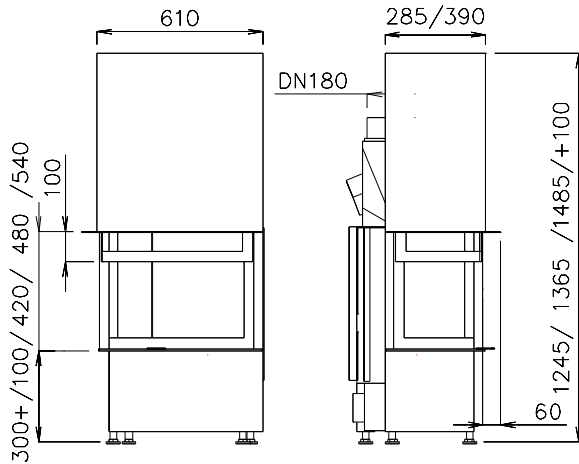
**CHOPOK R 90 S/225 L/P 550/440,500,560**  
**CHOPOK R 90 S/330 L/P 550/440,500,560**

Range 550

- Basic Model: **CHOPOK R 90 S/225 L/P 550/440,500,560**  
**CHOPOK R 90 S/330 L/P 550/440,500,560**
- Convection Casing (DP): **CHOPOK R 90 S/225 L/P 550/440,500,560-DP**  
**CHOPOK R 90 S/330 L/P 550/440,500,560-DP**



- Vertical Opening Door (VD): **CHOPOK VD R 90 S/275 L/P 600/420,480,540**  
**CHOPOK VD R 90 S/380 L/P 600/420,480,540**



• **Technical Data:**

Type: CHOPOK R 90 S/225 L/P 550/440,500,560

Type: CHOPOK R 90 S/330 L/P 550/440,500,560

Average heat output: 8 kW

Operating heat power: 2-10 kW

Flue gas mass flow: 12 g/s

Flue gas temperature: 240 °C

Emission of CO to 13 % O<sub>2</sub>: 0,12%

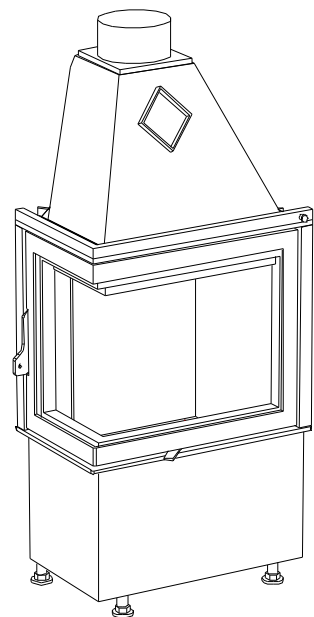
Pressure required: 12 Pa

Weight: CHOPOK R 90 S/225 L/P 550/440,500,560 140/145/150

CHOPOK VD R 90 S/275 L/P 600/420,480,540 170/175/180

CHOPOK R 90 S/330 L/P 550/440,500,560 135/140/145

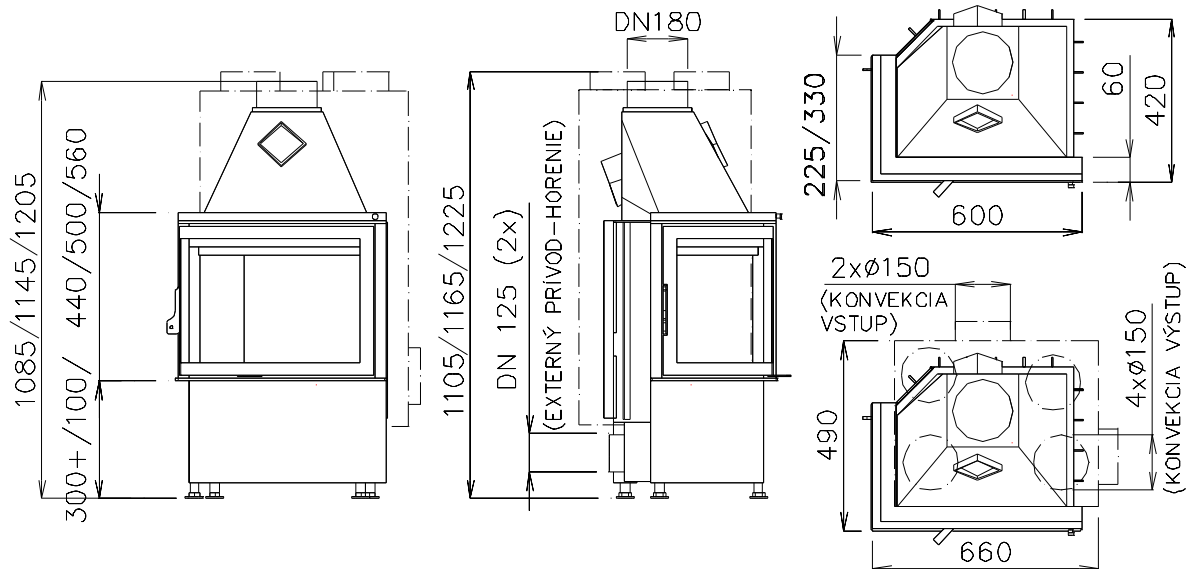
CHOPOK VD R 90 S/380 L/P 600/420,480,540 165/170/175



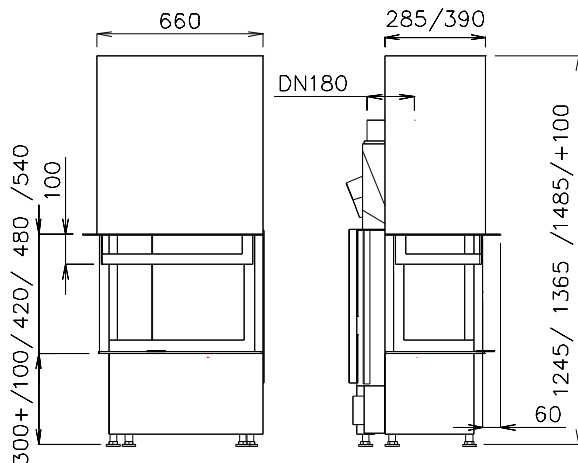
**CHOPOK R 90 S/225 L/P 600/440,500,560**  
**CHOPOK R 90 S/300 L/P 600/440,500,560**

Range 600

- Basic Model: **CHOPOK R 90 S/225 L/P 600/440,500,560**  
**CHOPOK R 90 S/330 L/P 600/440,500,560**
- Convection Casing (DP): *CHOPOK R 90 S/225 L/P 600/440,500,560-DP*  
*CHOPOK R 90 S/330 L/P 600/440,500,560-DP*



- Vertical Opening Door (VD): *CHOPOK VD R 90 S/275 L/P 650/420,480,540*  
*CHOPOK VD R 90 S/380 L/P 650/420,480,540*



• **Technical Data:**

Type: CHOPOK R 90 S/225 L/P 600/440,500,560

Type: CHOPOK R 90 S/330 L/P 600/440,500,560

Average heat output: 8,5 kW

Operating heat power:

2,5-10,5 kW

Flue gas mass flow:

15 g/s

Flue gas temperature:

250 °C

Emission of CO to 13 % O<sub>2</sub>:

0,12%

Pressure required:

12 Pa

Weight: CHOPOK R 90 S/225 L/P 600/440,500,560

150/160/170

CHOPOK VD R 90 S/275 L/P 650/420,480,540

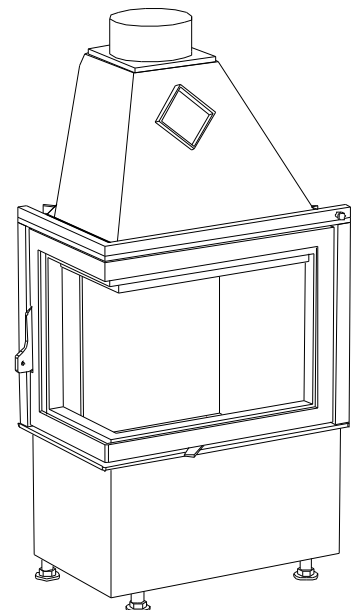
185/195/205

CHOPOK R 90 S/330 L/P 600/440,500,560

145/155/165

CHOPOK VD R 90 S/380 L/P 650/420,480,540

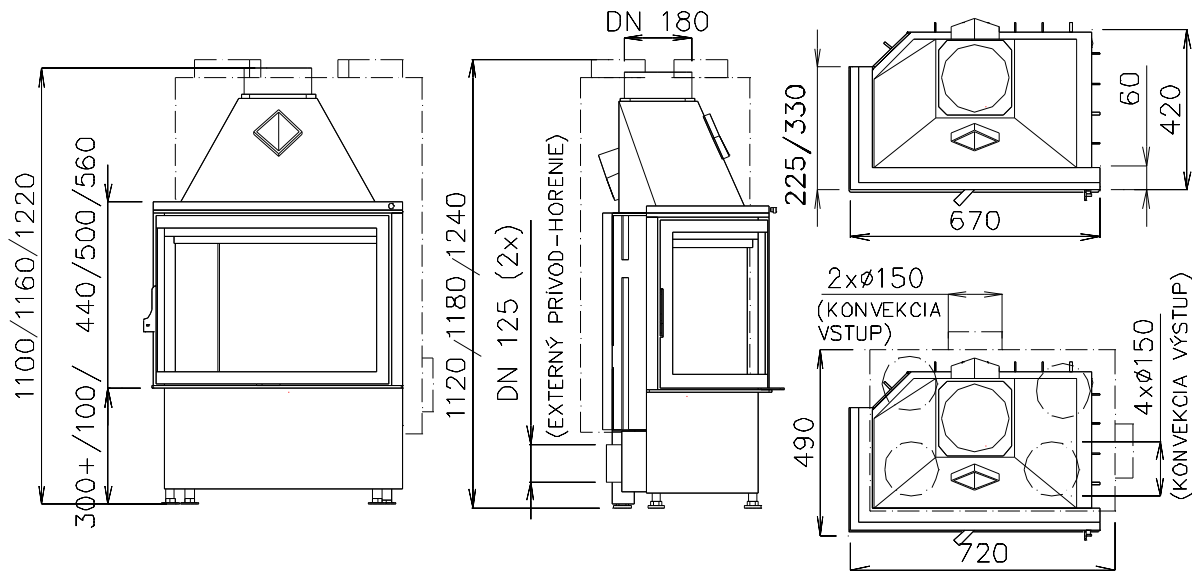
180/190/200



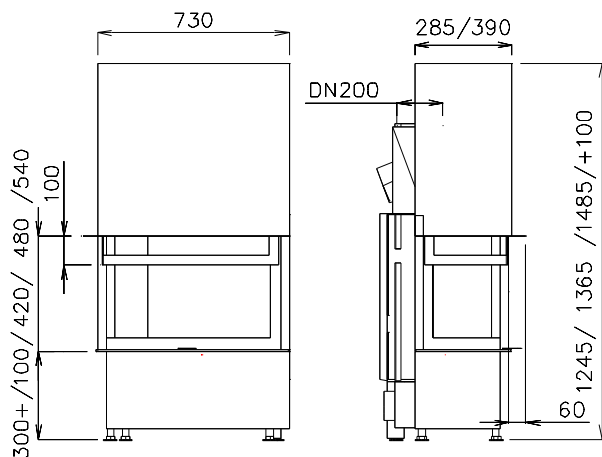
**CHOPOK R 90 S/225 L/P 670/440,500,560**  
**CHOPOK R 90 S/330 L/P 670/440,500,560**

Range 670

- Basic Model: **CHOPOK R 90 S/225 L/P 670/440,500,560**  
**CHOPOK R 90 S/330 L/P 670/440,500,560**
- Convection Casing (DP): **CHOPOK R 90 S/225 L/P 670/440,500,560-DP**  
**CHOPOK R 90 S/330 L/P 670/440,500,560-DP**



- Vertical Opening Door (VD): **CHOPOK VD R 90 S/275 L/P 720/420,480,540**  
**CHOPOK VD R 90 S/380 L/P 720/420,480,540**



• **Technical Data:**

Type: CHOPOK R 90 S/225 L/P 670/440,500,560

Type: CHOPOK R 90 S/330 L/P 670/440,500,560

Average heat output: 9 kW

Operating heat power: 3-11 kW

Flue gas mass flow: 20 g/s

Flue gas temperature: 280 °C

Emission of CO to 13 % O<sub>2</sub>: 0,10%

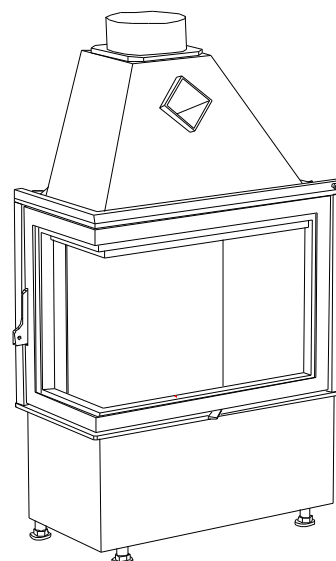
Pressure required: 12 Pa

Weight: CHOPOK R 90 S/225 L/P 670/440,500,560 165/175/185

CHOPOK VD R 90 S/275 L/P 720/420,480,540 205/215/225

CHOPOK R 90 S/330 L/P 670/440,500,560 160/170/180

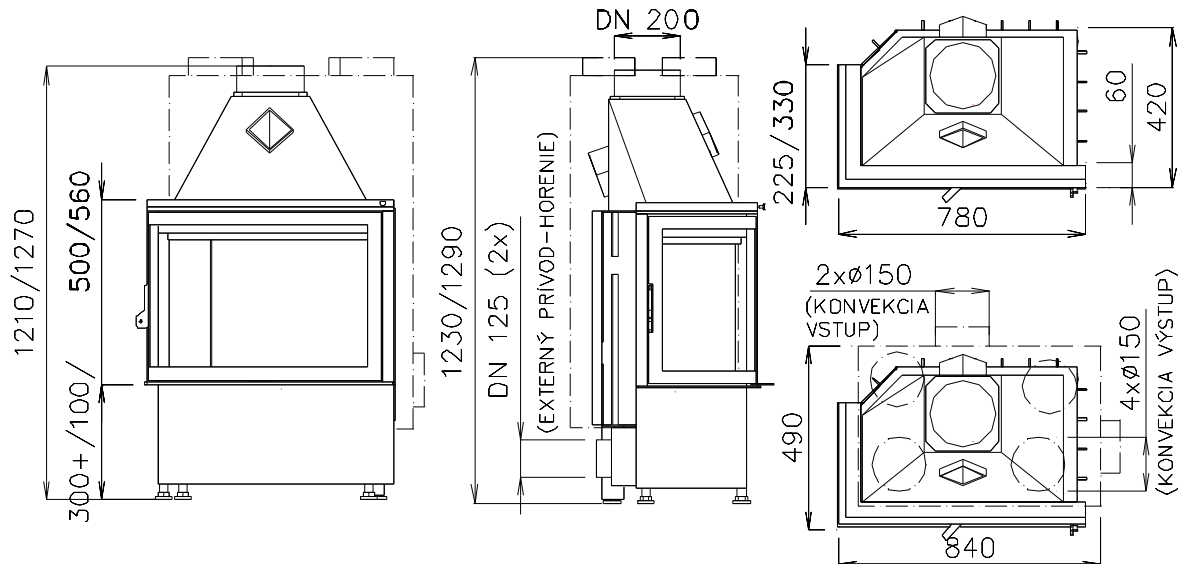
CHOPOK VD R 90 S/380 L/P 720/420,480,540 200/210/220



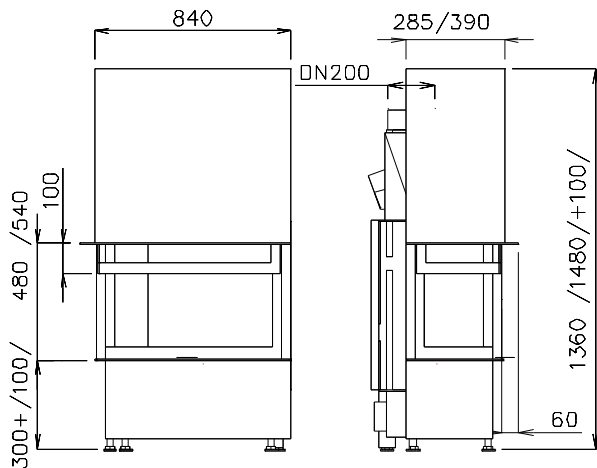
**CHOPOK R 90 S/225 L/P 780/500,560**  
**CHOPOK R 90 S/330 L/P 780/500,560**

Range 780

- Basic Model: **CHOPOK R 90 S/225 L/P 780/500,560**  
**CHOPOK R 90 S/330 L/P 780/500,560**
- Convection Casing (DP): *CHOPOK R 90 S/225 L/P 780/500,560-DP*  
*CHOPOK R 90 S/330 L/P 780/500,560-DP*

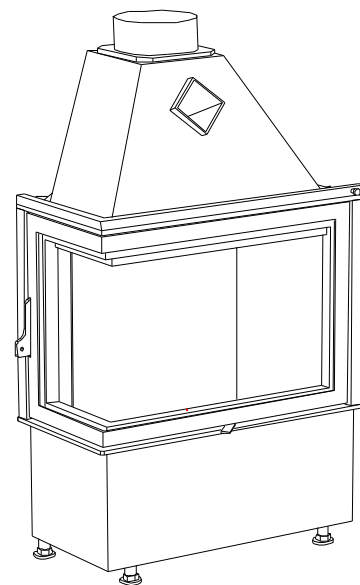


- Vertical Opening Door (VD): *CHOPOK VD R 90 S/275 L/P 830/480,540*  
*CHOPOK VD R 90 S/380 L/P 830/480,540*



• **Technical Data:**

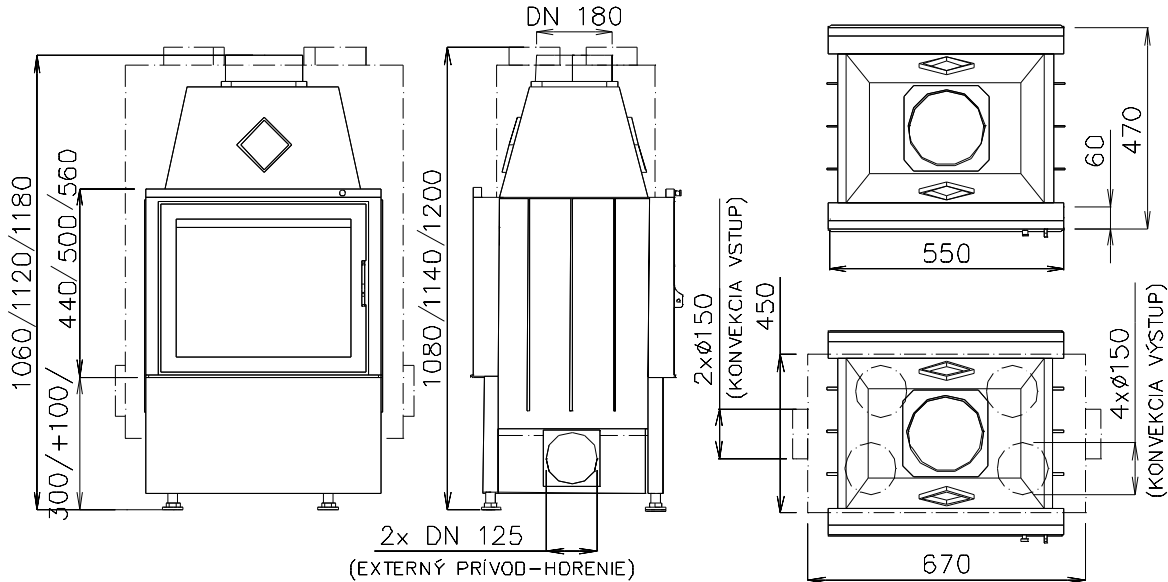
Type:CHOPOK R 90 S/225 L/P 780/500,560	
Type:CHOPOK R 90 S/330 L/P 780/500,560	
Average heat output:	10 kW
Operating heat power:	3-12,5 kW
Flue gas mass flow:	20 g/s
Flue gas temperature:	320 °C
Emission of CO to 13 % O <sub>2</sub> :	0,10%
Pressure required:	12 Pa
Weight:CHOPOK R 90 S/225 L/P 780/500,560	195/210
CHOPOK VD R 90 S/275 L/P 830/480,540	215/250
CHOPOK R 90 S/330 L/P 780/500,560	190/205
CHOPOK VD R 90 S/380 L/P 830/480,540	210/240



**CHOPOK O 550/440,500,560**

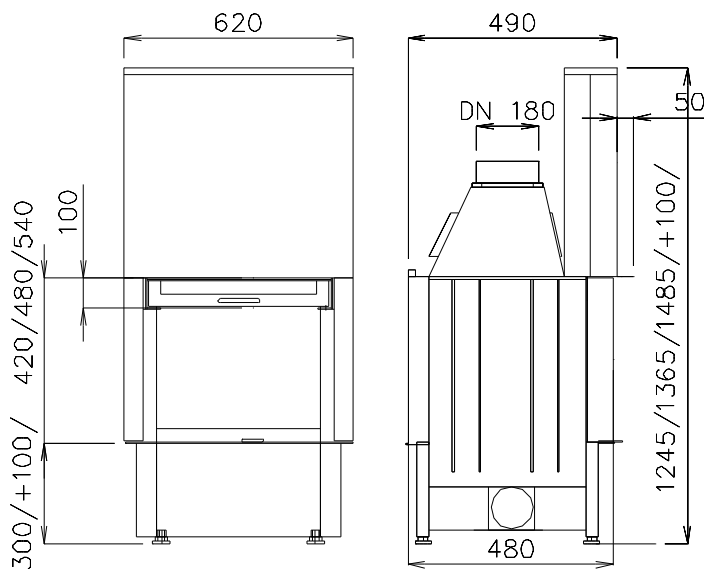
Range 550

- Basic Model: **CHOPOK O 550/440,500,560**
- Convection Casing (DP): **CHOPOK O 550/440,500,560-DP**



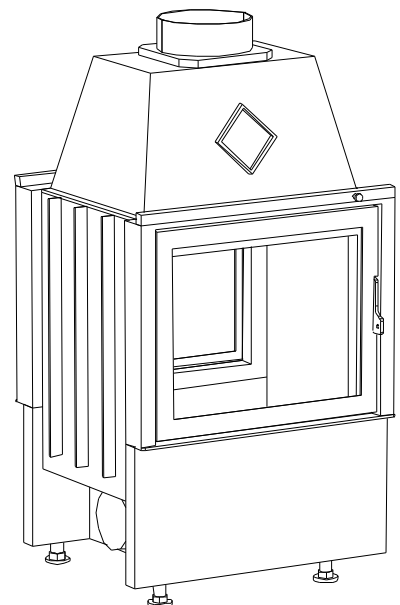
Vertical Opening Door (VD): **CHOPOK O VD**

- **620/420,480,540**



- **Technical Data:**

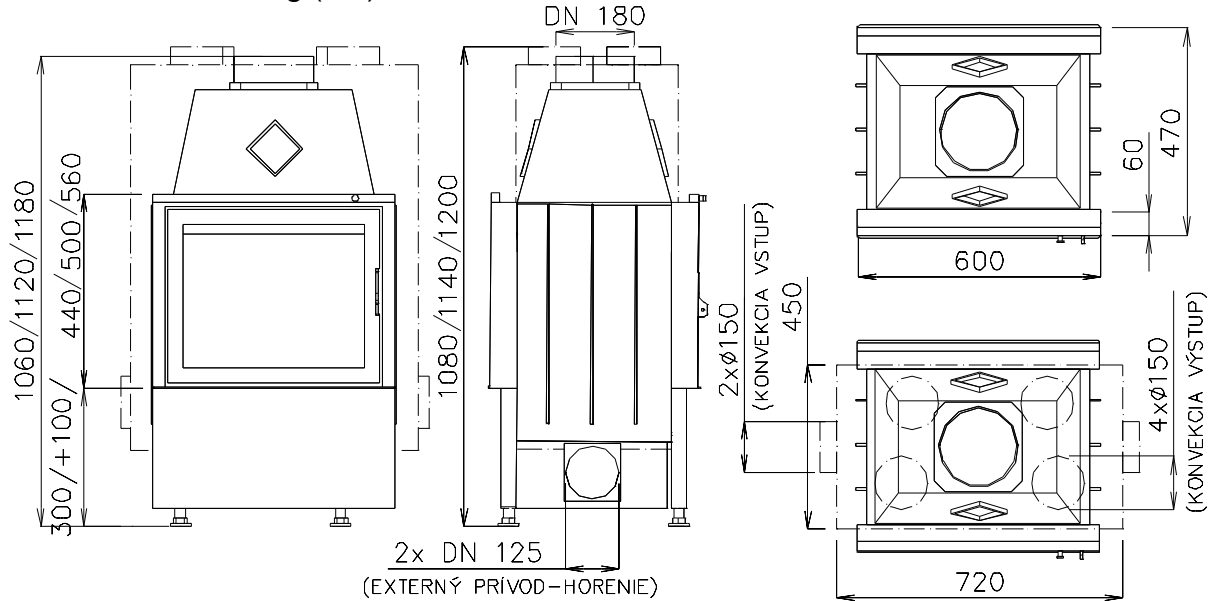
Type:	CHOPOK O 550/440,500,560
Average heat output:	8 kW
Operating heat power:	2-10 kW
Flue gas mass flow:	12 g/s
Flue gas temperature:	240 °C
Emission of CO to 13 % O <sub>2</sub> :	0,12%
Pressure required:	12 Pa
Weight: CH O 550/440/500/560	135/140/145 kg



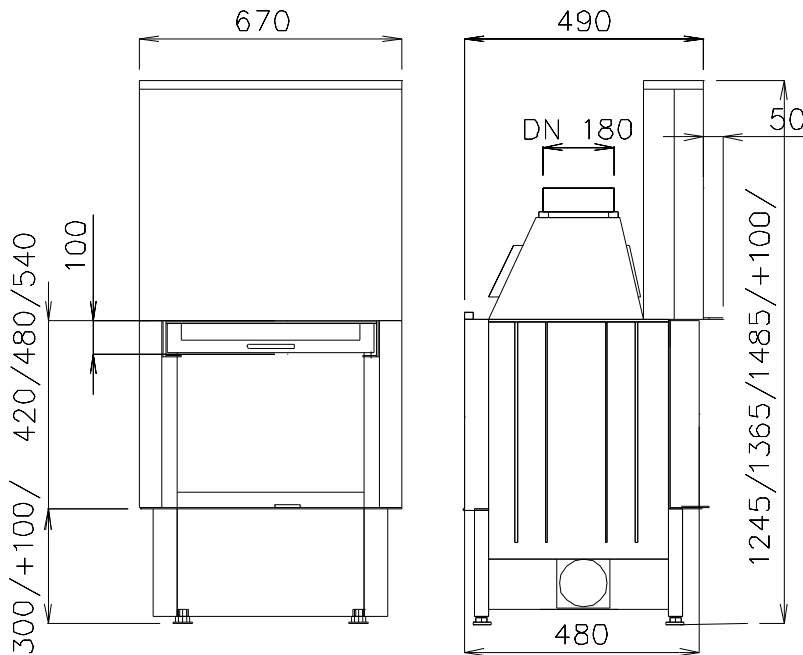
**CHOPOK O 600/440,500,560**

Range 600

- Basic Model: **CHOPOK O 600/440,500,560**
- Convection Casing (DP): **CHOPOK O 600/440,500,560-DP**

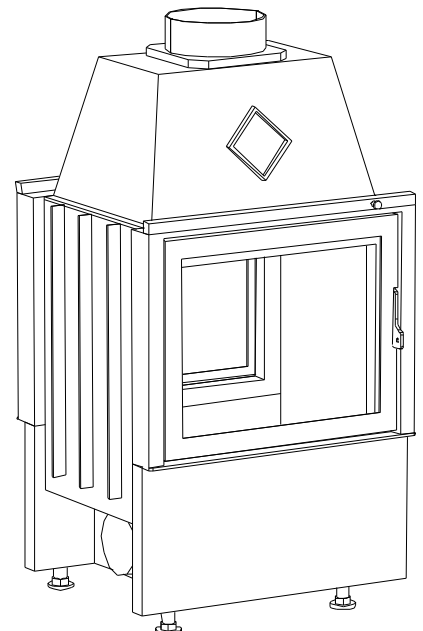


- Vertical Opening Door (VD): **CHOPOK O VD 670/420,480,540**



- **Technical Data:**

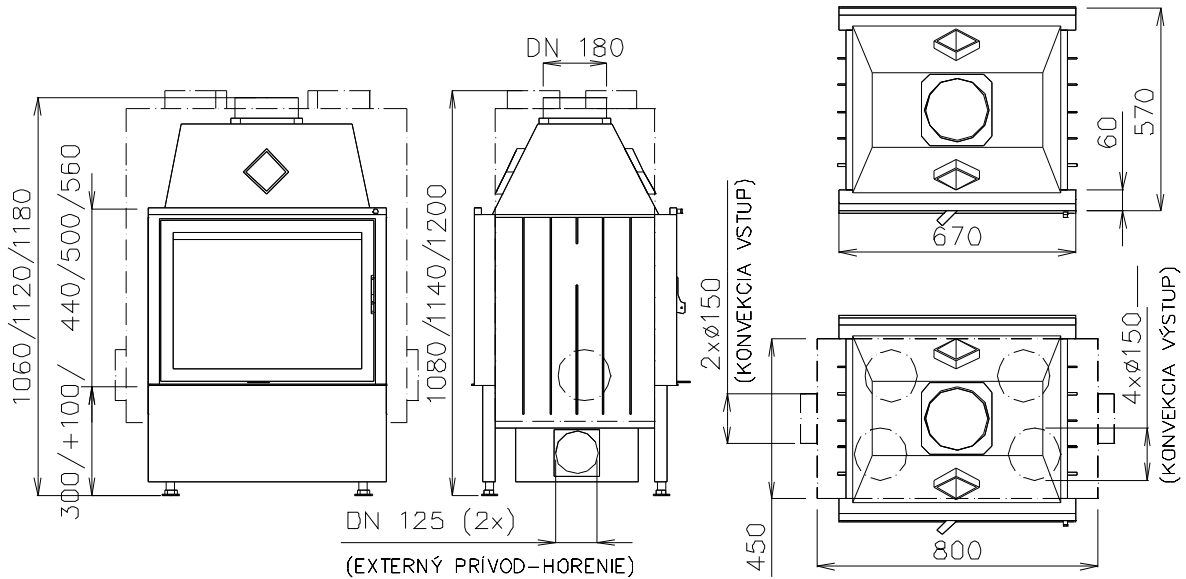
Type:	CHOPOK O 600/440,500,560
Average heat output:	8,5 kW
Operating heat power:	2,5-10,5 kW
Flue gas mass flow:	15 g/s
Flue gas temperature:	250 °C
Emission of CO to 13 % O <sub>2</sub> :	0,12%
Pressure required:	12 Pa
Weight:	CH O 600/440/500/560 155/160/165 kg



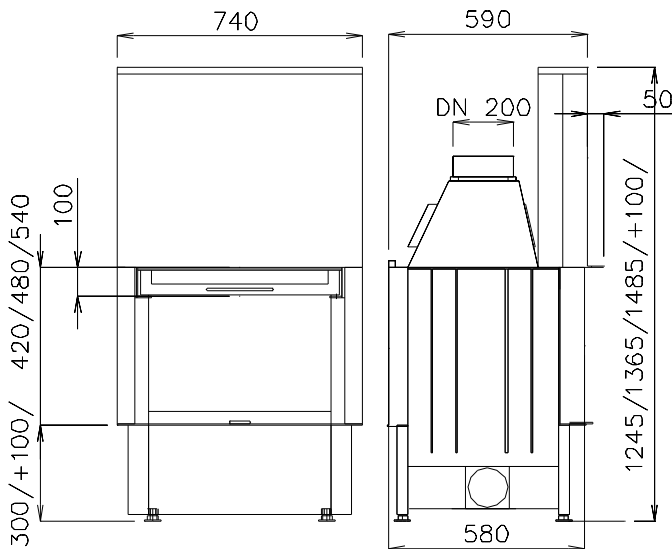
**CHOPOK O 670/440,500,560**

Range 670

- Basic Model: **CHOPOK O 670/440,500,560**
- Convection Casing (DP): **CHOPOK O 670/440,500,560-DP**

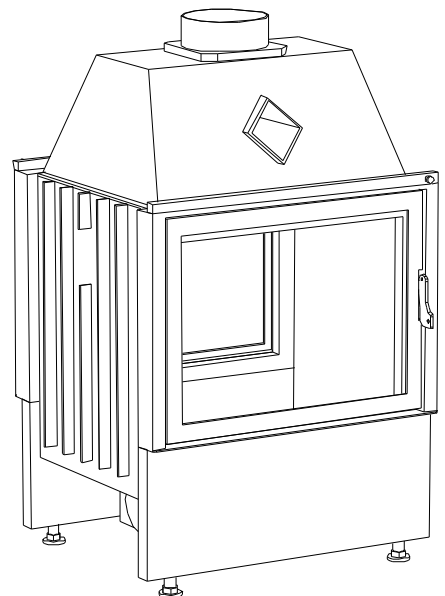


- Vertical Opening Door (VD): **CHOPOK O VD 740/420,480,540**



• **Technical Data:**

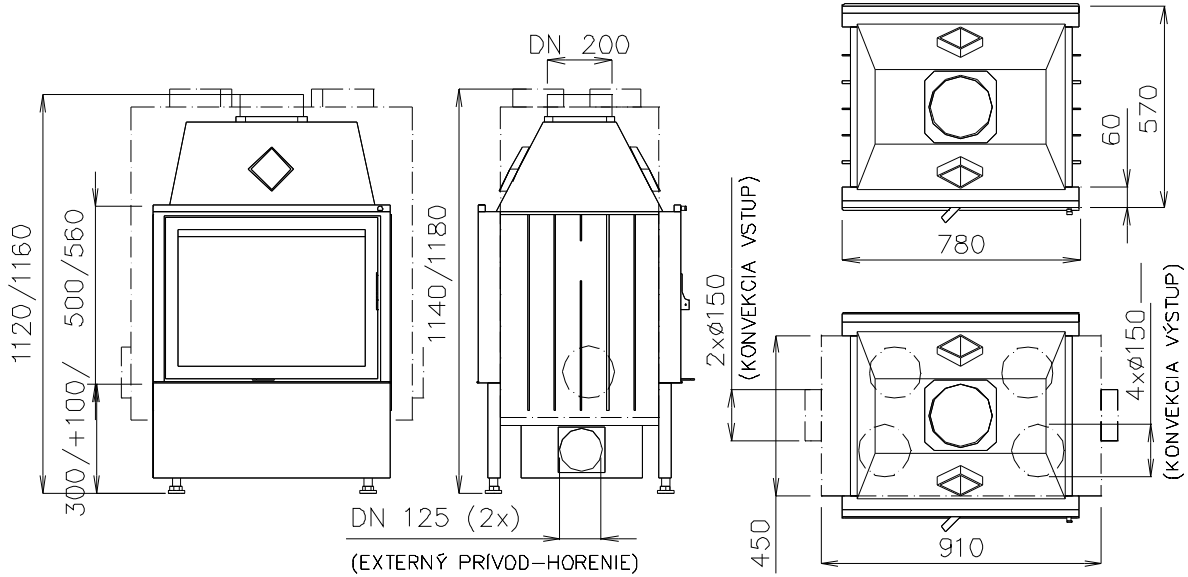
Type:	CHOPOK O 670/440,500,560
Average heat output:	9 kW
Operating heat power:	3-11 kW
Flue gas mass flow:	20 g/s
Flue gas temperature:	280 °C
Emission of CO to 13 % O2:	0,10%
Pressure required:	12 Pa
Weight: CH O 670/440/500/560	190/200/210 kg



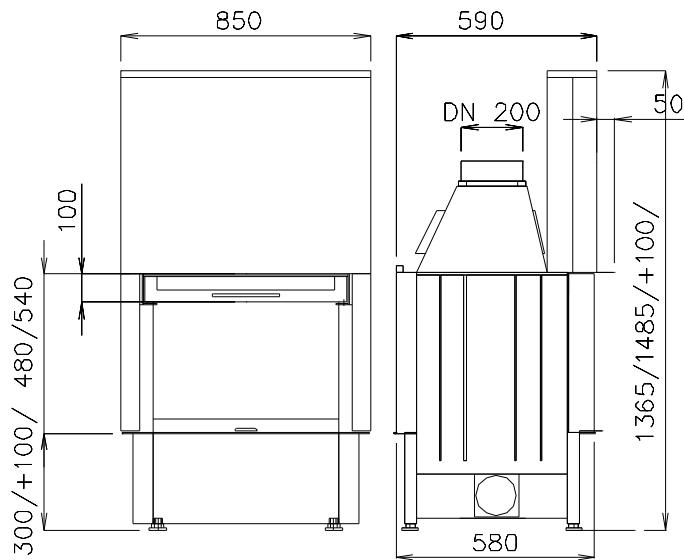
**CHOPOK O 780/500,560**

Range 780

- Basic Model: **CHOPOK O 780/500,560**
- Convection Casing (DP): **CHOPOK O 780/500,560-DP**

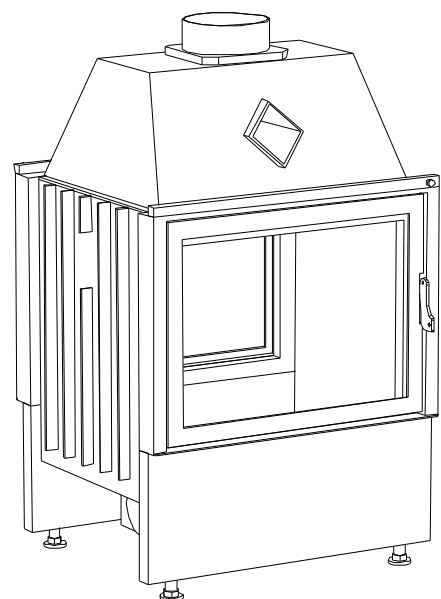


- Vertical Opening Door (VD): **CHOPOK O VD 850/480,540**



• **Technical Data:**

Type:	CHOPOK O 780/500,560	
Average heat output:	10 kW	
Operating heat power:	3-12,5 kW	
Flue gas mass flow:	20 g/s	
Flue gas temperature:	320 °C	
Emission of CO to 13 % O2:	0,10%	
Pressure required:	12 Pa	
Weight:	CH O 780//500/560	225/240 kg
	CH O VD 850/480/540	270/285 kg

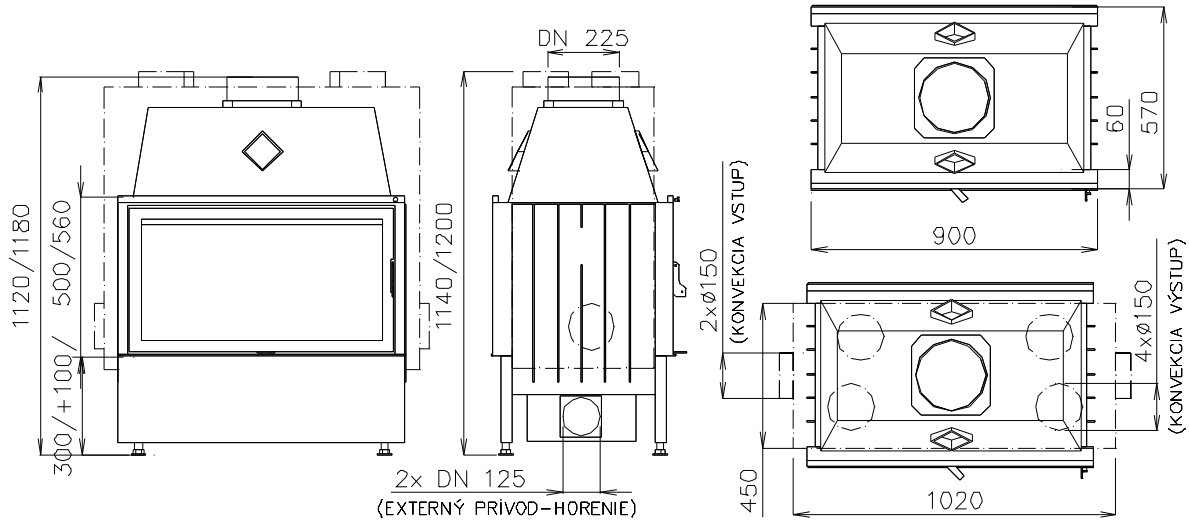




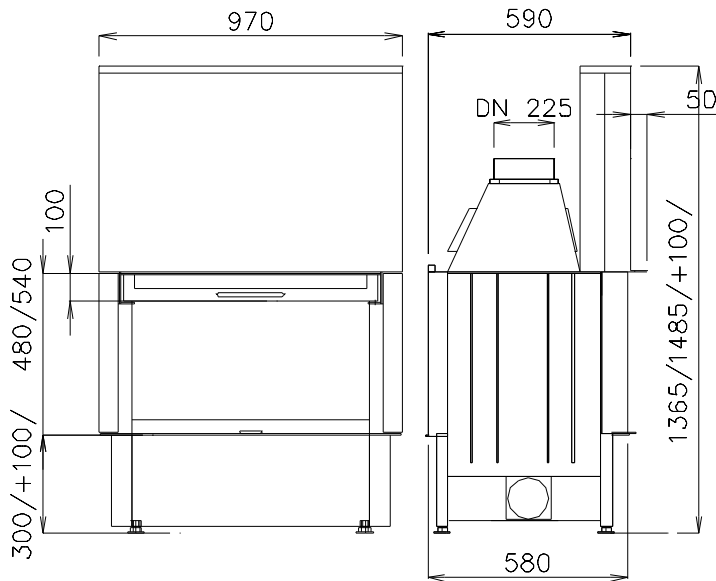
**CHOPOK O 900/500,560**

Range 900

- Basic Model: **CHOPOK O 900/500,560**
- Convection Casing (DP): **CHOPOK O 900/500,560-DP**

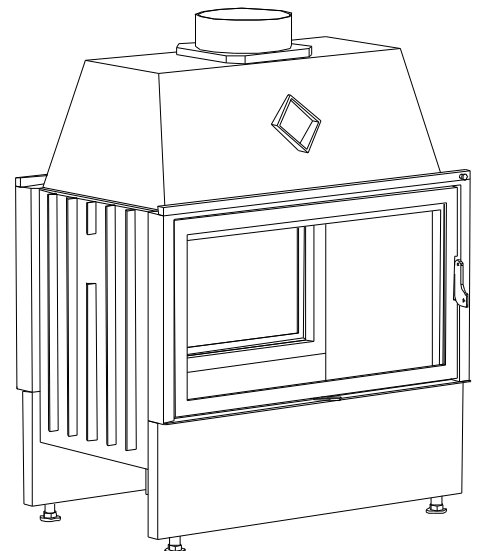


- Vertical Opening Door (VD): **CHOPOK O VD 970/480,540**



• **Technical Data:**

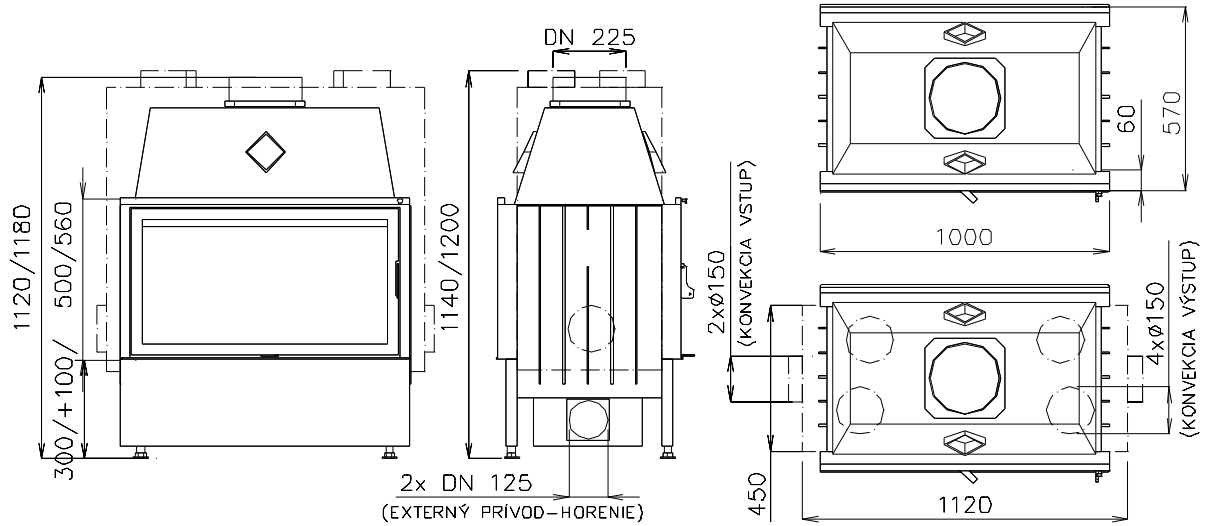
Type:	CHOPOK O 900/500,560
Average heat output:	11 kW
Operating heat power:	3,5-14 kW
Flue gas mass flow:	18 g/s
Flue gas temperature:	300 °C
Emission of CO to 13 % O <sub>2</sub> :	0,15%
Pressure required:	12 Pa
Weight: CH O 900//500/560	250/270 kg
CH O VD 970/480/540	300/320 kg



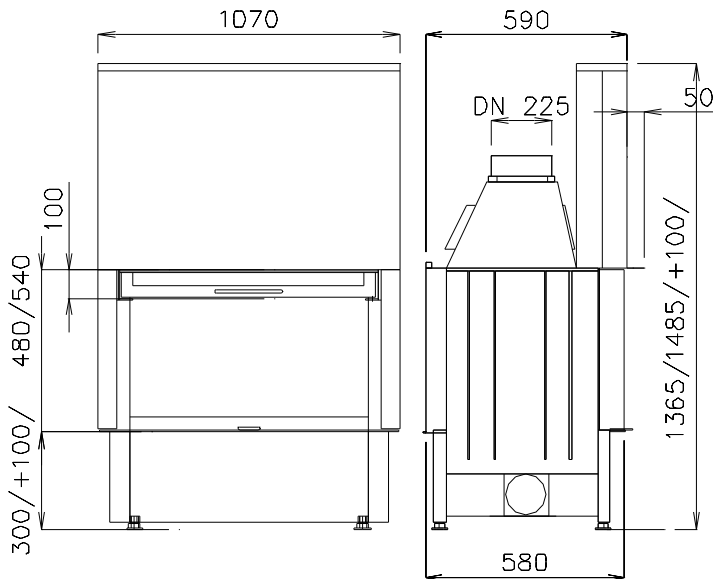
**CHOPOK O 1000/500,560**

Range 1000

- Basic Model: **CHOPOK O 1000/500,560**
- Convection Casing (DP): **CHOPOK O 1000/500,560-DP**

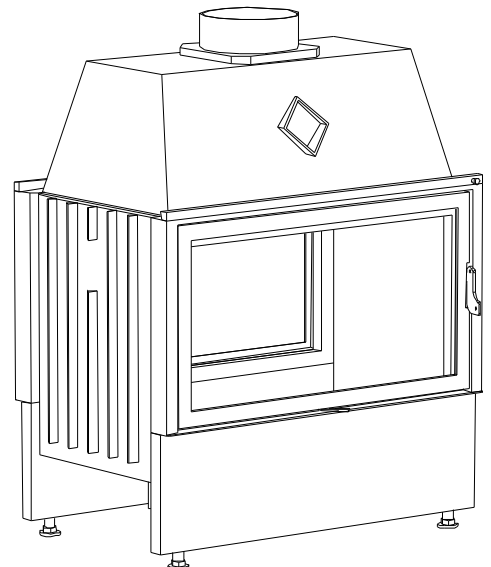


- Vertical Opening Door (VD): **CHOPOK O VD 1070/480,540**



• **Technical Data:**

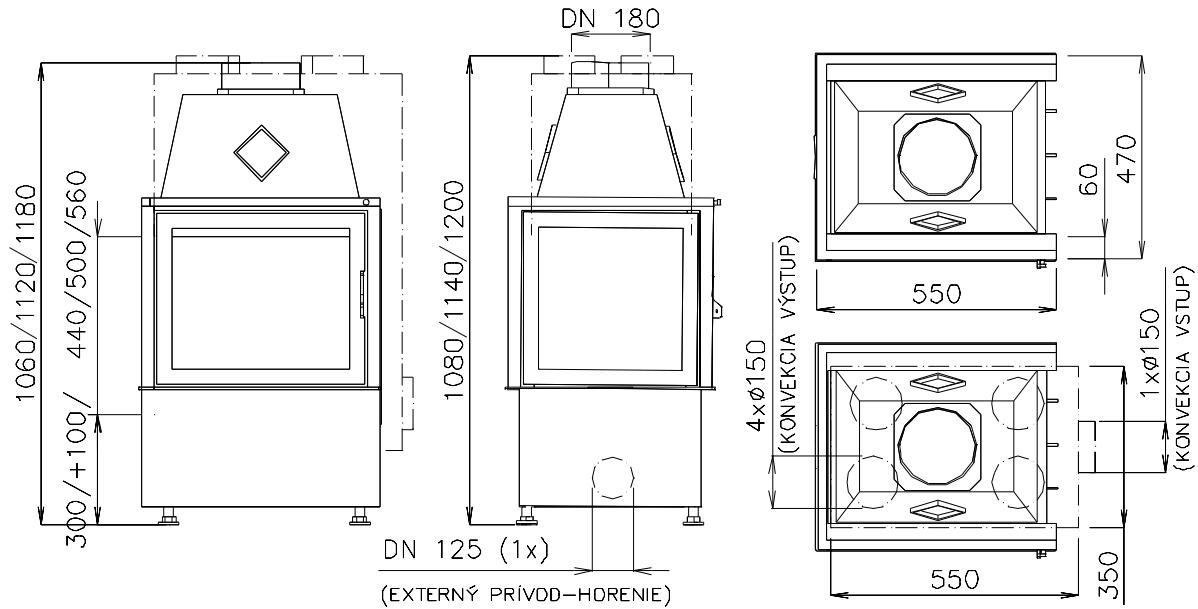
Type:	CHOPOK O 1000/500,560	
Average heat output:	12 kW	
Operating heat power:	4-15 kW	
Flue gas mass flow:	18 g/s	
Flue gas temperature:	300 °C	
Emission of CO to 13 % O <sub>2</sub> :	0,20%	
Pressure required:	12 Pa	
Weight:	CH O 1000//500/560	280/290 kg
	CH O VD 1070/480/540	350/360 kg



**CHOPOK R90 O 550/440,500,560**

Range 550

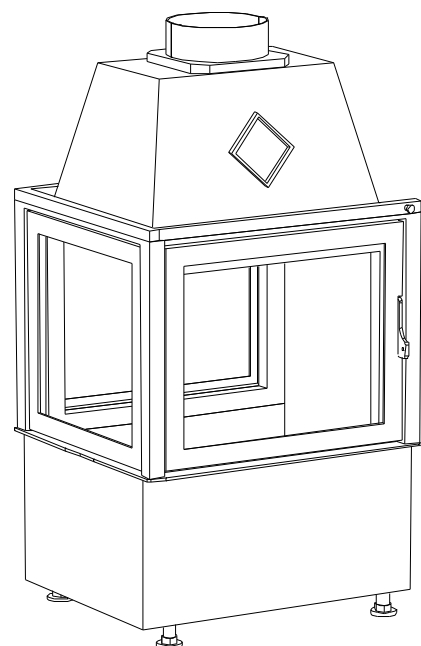
- Basic Model: **CHOPOK R90 O 550/440,500,560**
- Convection Casing (DP): *CHOPOK R90 O 550/440,500,560-DP*



- Vertical Opening Door (VD): *CHOPOK R90 O VD 620/420,480,540*

• **Technical Data:**

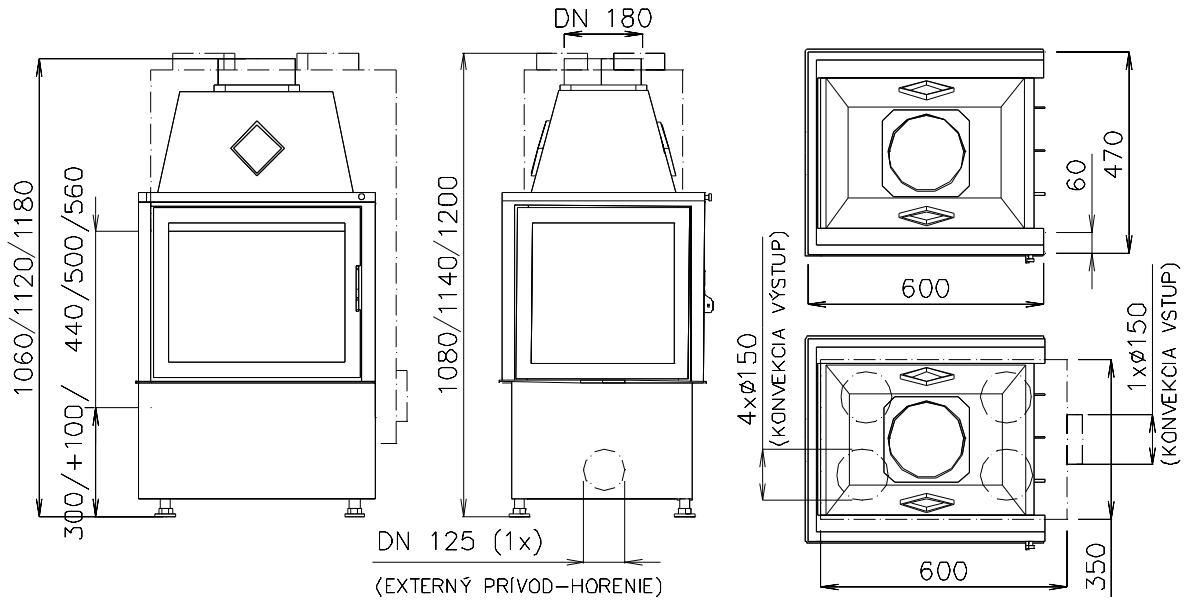
Type:	CHOPOK R90 O 550/440,500,560
Average heat output:	8 kW
Operating heat power:	2-10 kW
Flue gas mass flow:	12 g/s
Flue gas temperature:	240 °C
Emission of CO to 13 % O <sub>2</sub> :	0,12%
Pressure required:	12 Pa
Weight:	CH R90 O 550/440/500/560 145/150/155kg
	CH R90 O VD 620/420/480/540



**CHOPOK R90 O 600/440,500,560**

Range 600

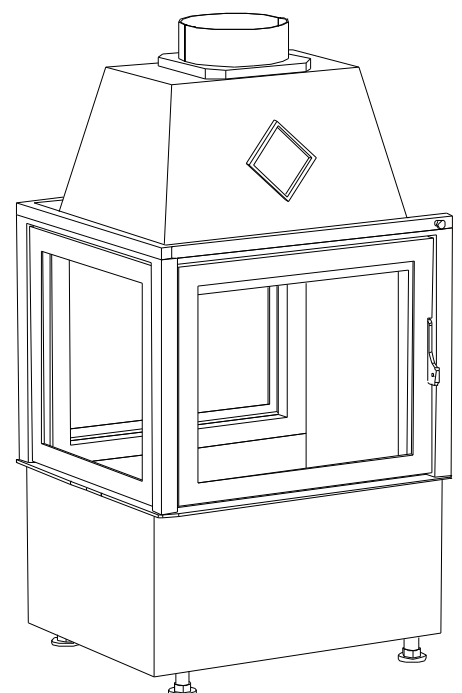
- Basic Model: **CHOPOK R90 O 600/440,500,560**
- Convection Casing (DP): *CHOPOK R90 O 600/440,500,560-DP*



- Vertical Opening Door (VD): *CHOPOK R90 O VD 670/420,480,540*

• **Technical Data:**

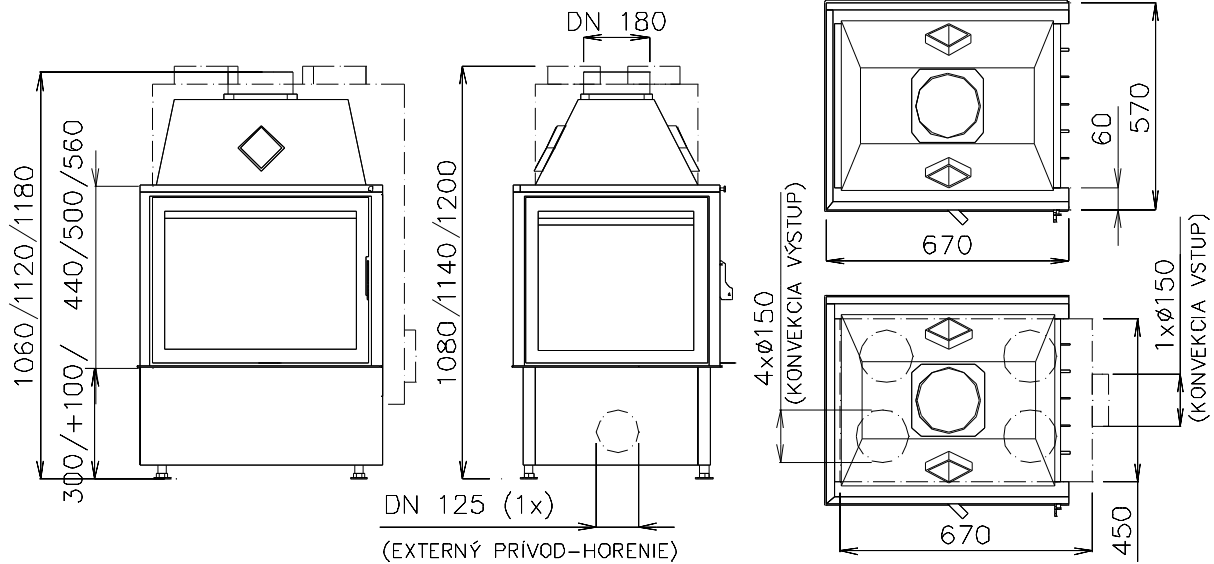
Type:	CHOPOK R90 O 600/440,500,560
Average heat output:	8,5 kW
Operating heat power:	2,5-10,5 kW
Flue gas mass flow:	15 g/s
Flue gas temperature:	250 °C
Emission of CO to 13 % O <sub>2</sub> :	0,10%
Pressure required:	12 Pa
Weight:	CH R90 O 600/440/500/560 155/160/165 kg
	CH R90 O VD 670/420/480/540



**CHOPOK R90 O 670/440,500,560**

Range 670

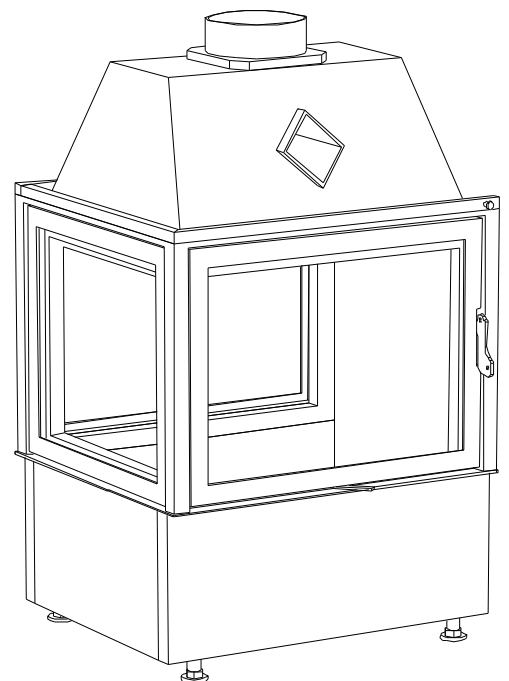
- Basic Model: **CHOPOK R90 O 670/440,500,560**
- Convection Casing (DP): *CHOPOK R90 O 670/440,500,560-DP*



- Vertical Opening Door (VD): *CHOPOK R90 O VD 740/420,480,540*

• **Technical Data:**

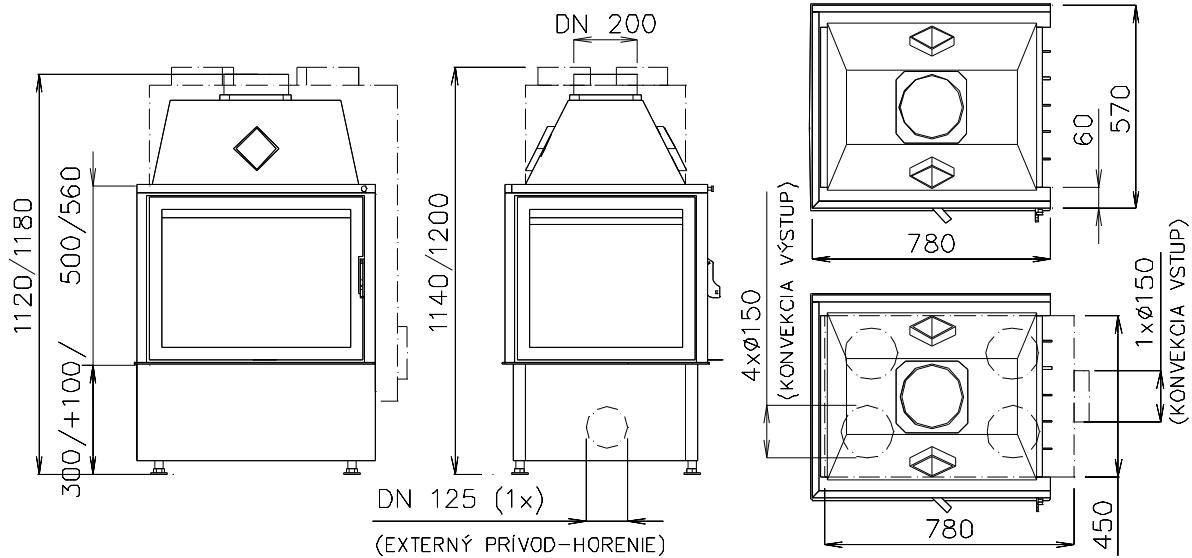
Type:	CHOPOK R90 O 670/440,500,560
Average heat output:	9 kW
Operating heat power:	3-11 kW
Flue gas mass flow:	20 g/s
Flue gas temperature:	280 °C
Emission of CO to 13 % O <sub>2</sub> :	0,10%
Pressure required:	12 Pa
Weight:	CH R90 O 670/440/500/560 178/180/185 kg
	CH R90 O VD 740/420/480/540



**CHOPOK R90 O 780/500,560**

Range 780

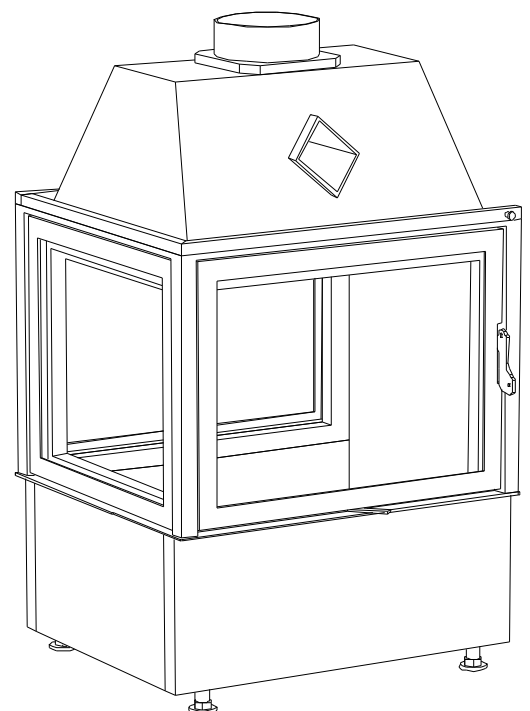
- Basic Model: **CHOPOK R90 O 780/500,560**
- Convection Casing (DP): *CHOPOK R90 O 780/500,560-DP*



- Vertical Opening Door (VD): *CHOPOK R90 O VD 850/480,540*

• **Technical Data:**

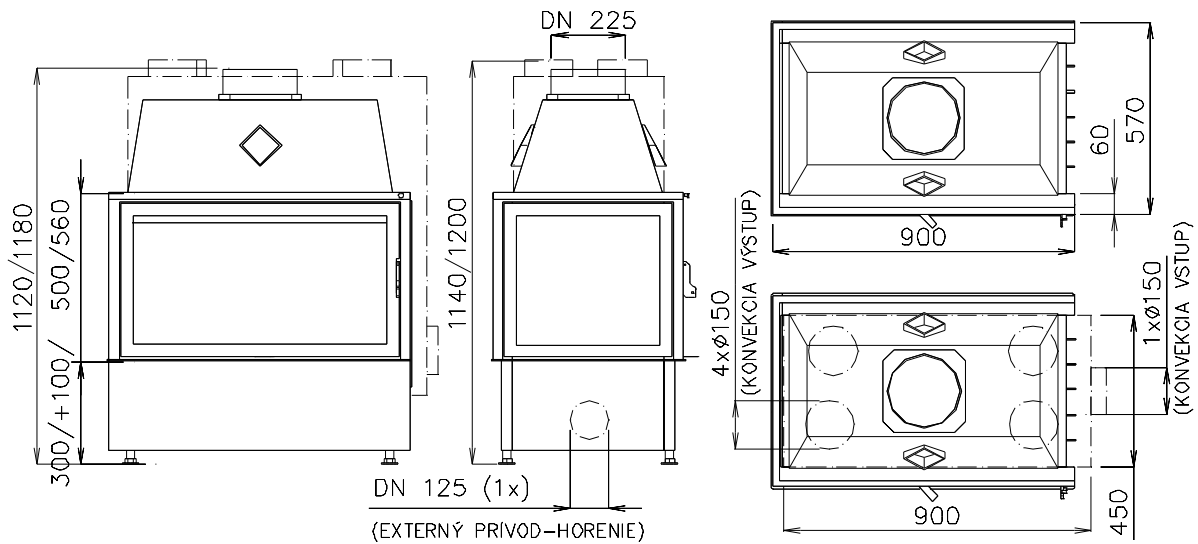
Type:	CHOPOK R90 O 780/500,560
Average heat output:	10 kW
Operating heat power:	3-12,5 kW
Flue gas mass flow:	20 g/s
Flue gas temperature:	320 °C
Emission of CO to 13 % O <sub>2</sub> :	0,10%
Pressure required:	12 Pa
Weight: CH R90 O 780/500/560	210/215 kg
CH R90 O VD 850/480/540	



**CHOPOK R90 O 900/500,560**

Range 900

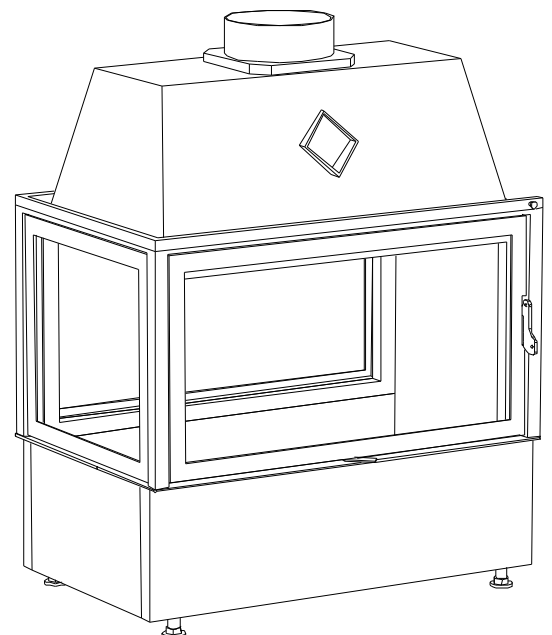
- Basic Model: **CHOPOK R90 O 900/500,560**
- Convection Casing (DP): *CHOPOK R90 O 900/500,560-DP*



- Vertical Opening Door (VD): *CHOPOK R90 O VD 970/480,540*

• **Technical Data:**

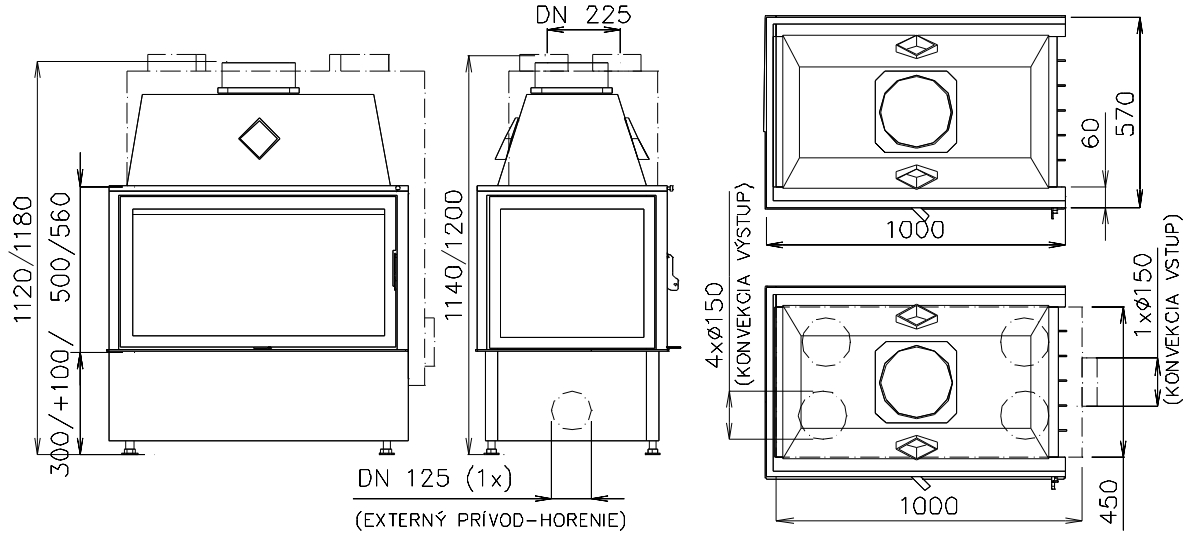
Type:	CHOPOK R90 O 900/500,560	
Average heat output:	11 kW	
Operating heat power:	3,5-14 kW	
Flue gas mass flow:	18 g/s	
Flue gas temperature:	300 °C	
Emission of CO to 13 % O <sub>2</sub> :	0,15%	
Pressure required:	12 Pa	
Weight:	CH R90 O 900/500/560	240/250 kg
	CH R90 O VD 970/480/540	



**CHOPOK R90 O 1000/500,560**

Range 1000

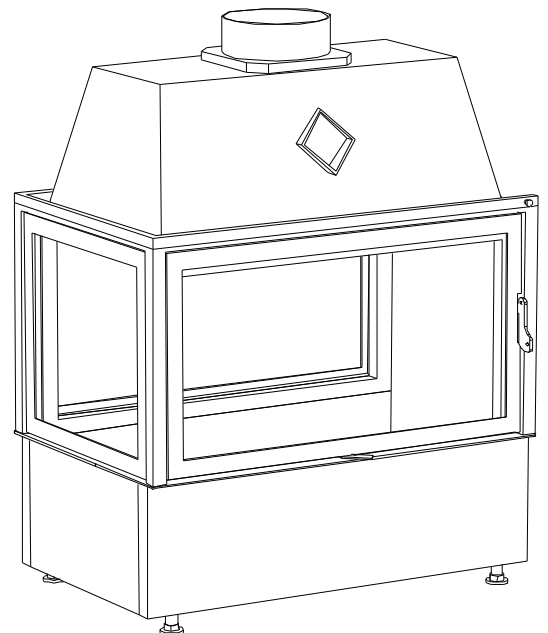
- Basic Model: **CHOPOK R90 O 1000/500,560**
- Convection Casing (DP): *CHOPOK R90 O 1000/500,560-DP*



- Vertical Opening Door (VD): *CHOPOK R90 O VD 1070/480,540*

• **Technical Data:**

Type:	CHOPOK R90 O 1000/500,560
Average heat output:	12 kW
Operating heat power:	4-15 kW
Flue gas mass flow:	18 g/s
Flue gas temperature:	300 °C
Emission of CO to 13 % O2:	0,20%
Pressure required:	12 Pa
Weight: CH R90 O 1000/500/560	275/285 kg
CH R90 O VD 1070/480/540	

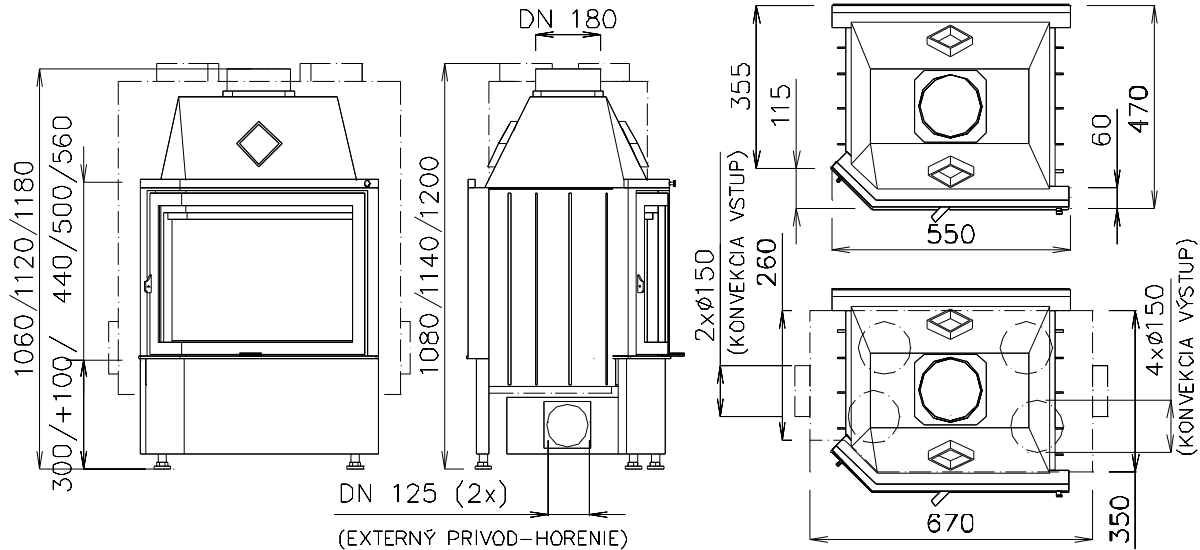




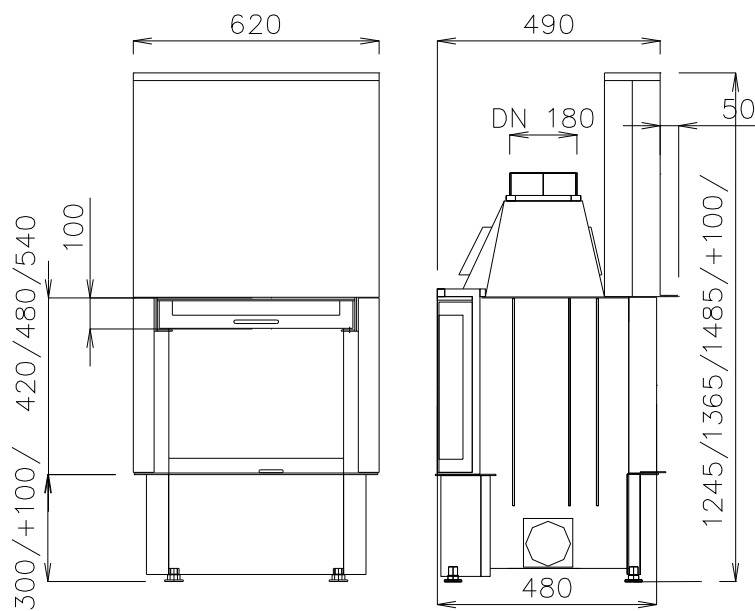
**CHOPOK/ĎUMBIER O R 135 550/440,500,560**

Range 550

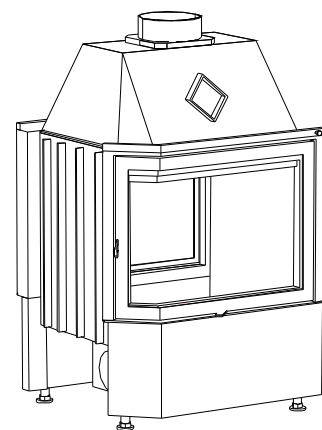
- Basic Model: **CHOPOK/ĎUMBIER O R135 550/440,500,560**
- Convection Casing (DP): **CHOPOK/ĎUMBIER O R135 550/440,500,560-DP**



- Vertical Opening Door (VD): **CHOPOK/ĎUMBIER O R135 VD 620/420,480,540**



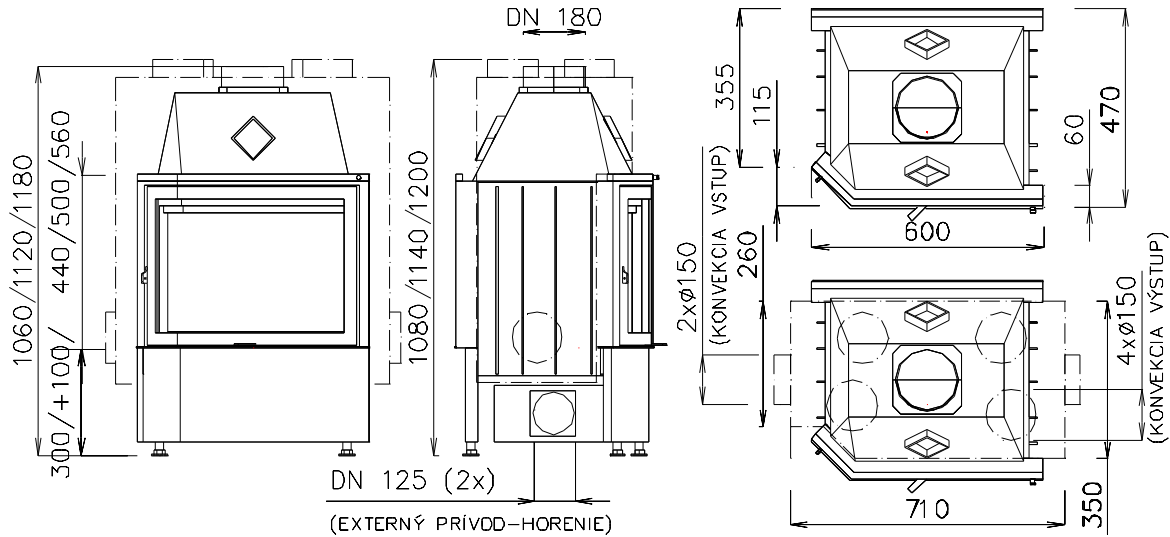
- **Technical Data:**
- Type: CHPOK/ĎUMBIER O R135 550/440,500,560
- Average heat output: 8 kW
- Operating heat power: 2-10 kW
- Flue gas mass flow: 12 g/s
- Flue gas temperature: 240 °C
- Emission of CO to 13 % O<sub>2</sub>: 0,12%
- Pressure required: 12 Pa
- Weight: CH/D O R135 550/440/500/560 135/140/145 kg
- CH/D O R135 VD 620/420/480/540 155/160/165 kg



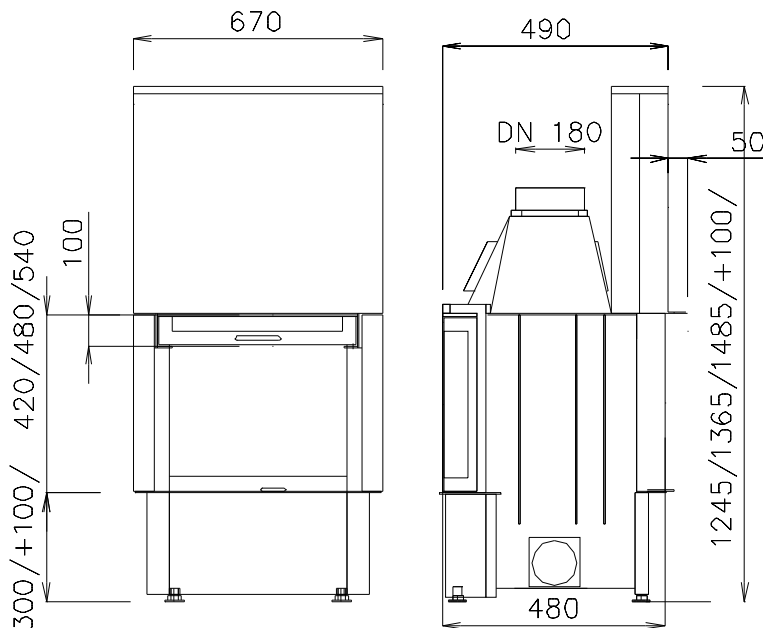
**CHOPOK/ĎUMBIER O R 135 600/440,500,560**

Range 600

- Basic Model: **CHOPOK/ĎUMBIER O R135 600/440,500,560**
- Convection Casing (DP): **CHOPOK/ĎUMBIER O R135 600/440,500,560-DP**

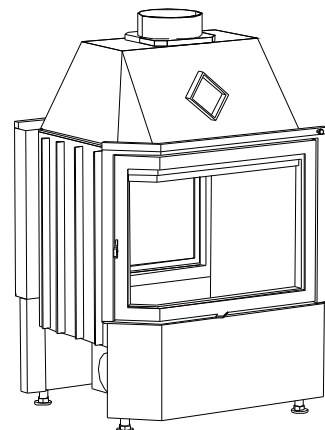


- Vertical Opening Door (VD): **CHOPOK/ĎUMBIER O R135 VD 670/420,480,540**



• **Technical Data:**

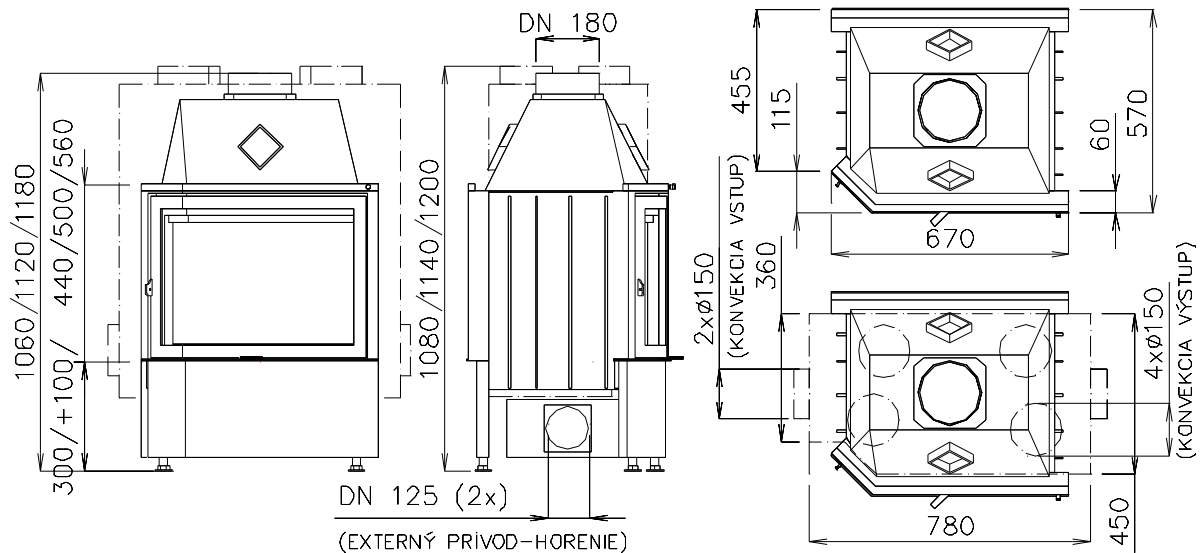
Type:	CHOPOK/ĎUMBIER O R135 600/440,500,560
Average heat output:	8,5 kW
Operating heat power:	2,5-10,5 kW
Flue gas mass flow:	15 g/s
Flue gas temperature:	250 °C
Emission of CO to 13 % O2:	0,12%
Pressure required:	12 Pa
Weight:	CH/Ď O R135 600/440/500/560 155/160/165 kg
	CH/Ď O R135 VD 670/420/480/540 180/185/190 kg



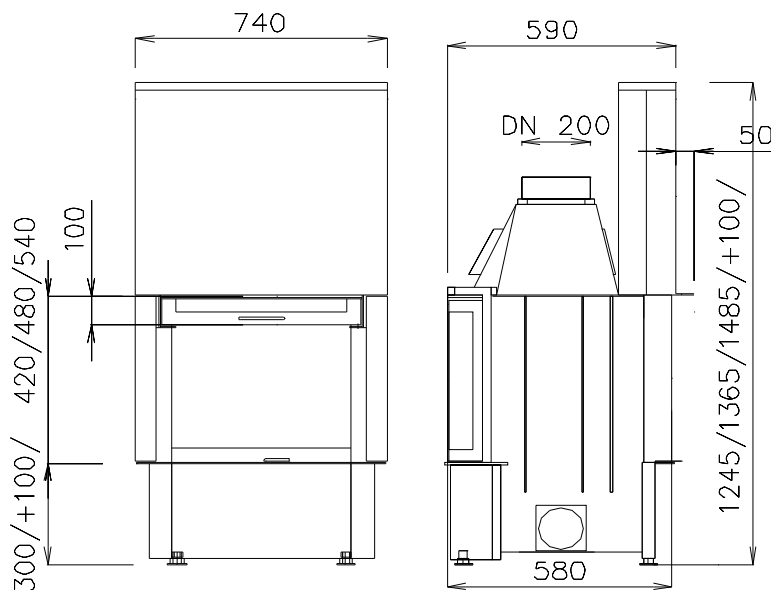
**CHOPOK/ĎUMBIER O R 135 670/440,500,560**

Range 670

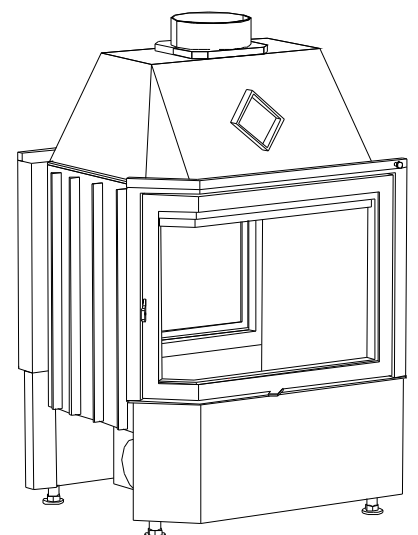
- Basic Model: **CHOPOK/ĎUMBIER O R135 670/440,500,560**
- Convection Casing (DP): **CHOPOK/ĎUMBIER O R135 670/440,500,560-DP**



- Vertical Opening Door (VD): **CHOPOK/ĎUMBIER O R135 VD/420,480,540**



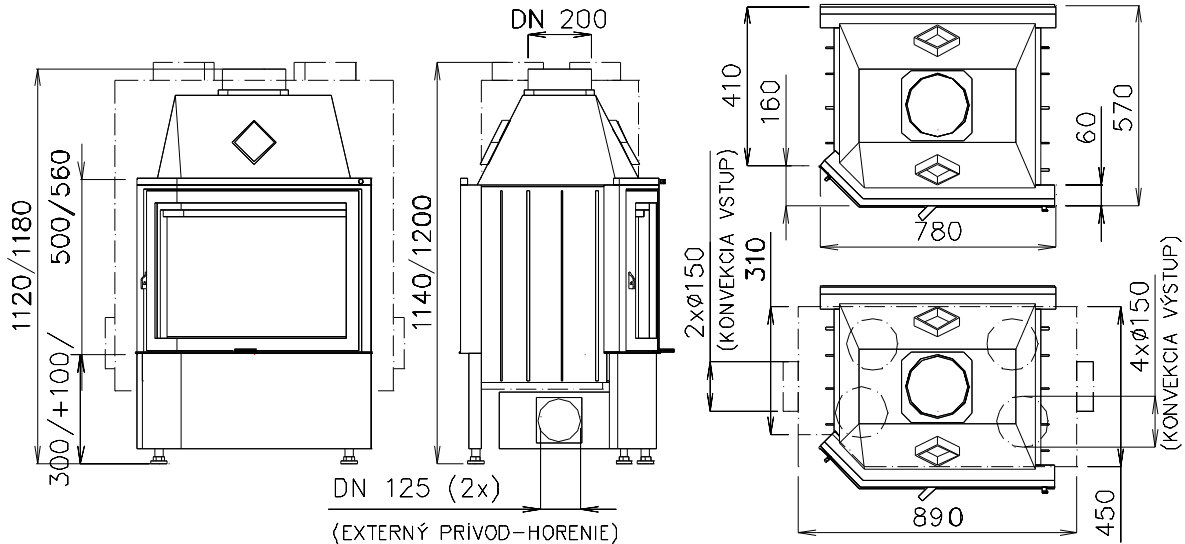
- **Technical Data:**
- Type: CHPOK/ĎUMBIER O R135 670/440,500,560
- Average heat output: 9 kW
- Operating heat power: 3-11 kW
- Flue gas mass flow: 20 g/s
- Flue gas temperature: 280 °C
- Emission of CO to 13 % O<sub>2</sub>: 0,10%
- Pressure required: 12 Pa
- Weight: CH/D O R135 670/440/500/560 190/200/210 kg
- CH/D O R135 VD 740/420/480/540 210/230/240 kg



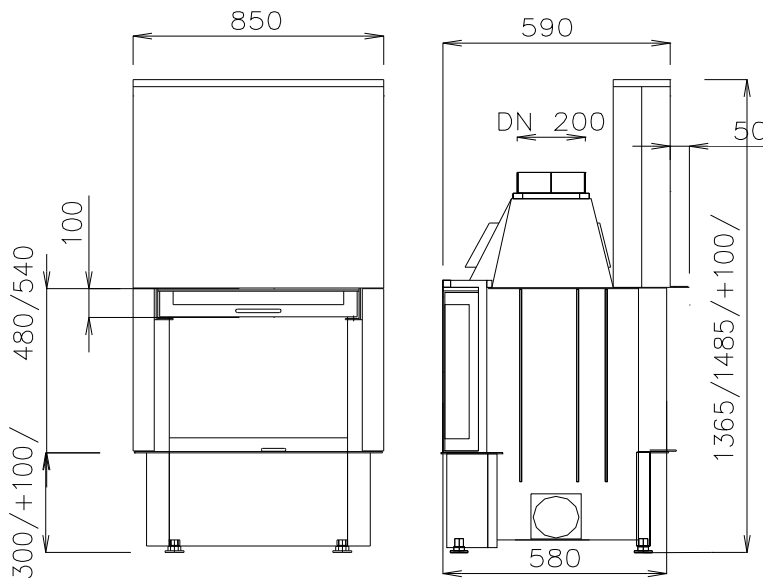
**CHOPOK/ĎUMBIER O R 135 780/500,560**

Range 780

- Basic Model: **CHOPOK/ĎUMBIER O R135 780/500,560**
- Convection Casing (DP): **CHOPOK/ĎUMBIER O R135 780/500,560-DP**

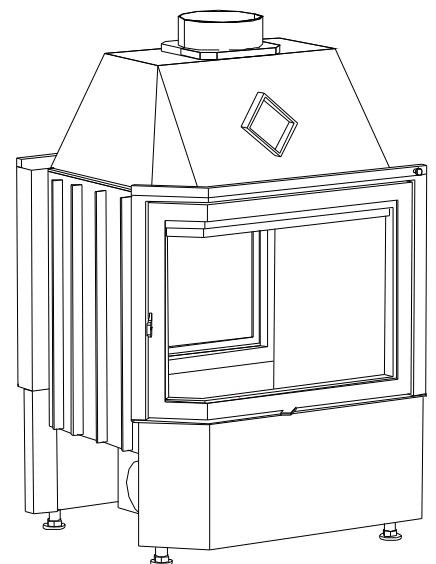


- Vertical Opening Door (VD): **CHOPOK/ĎUMBIER O R135 VD 850/480,540**



• **Technical Data:**

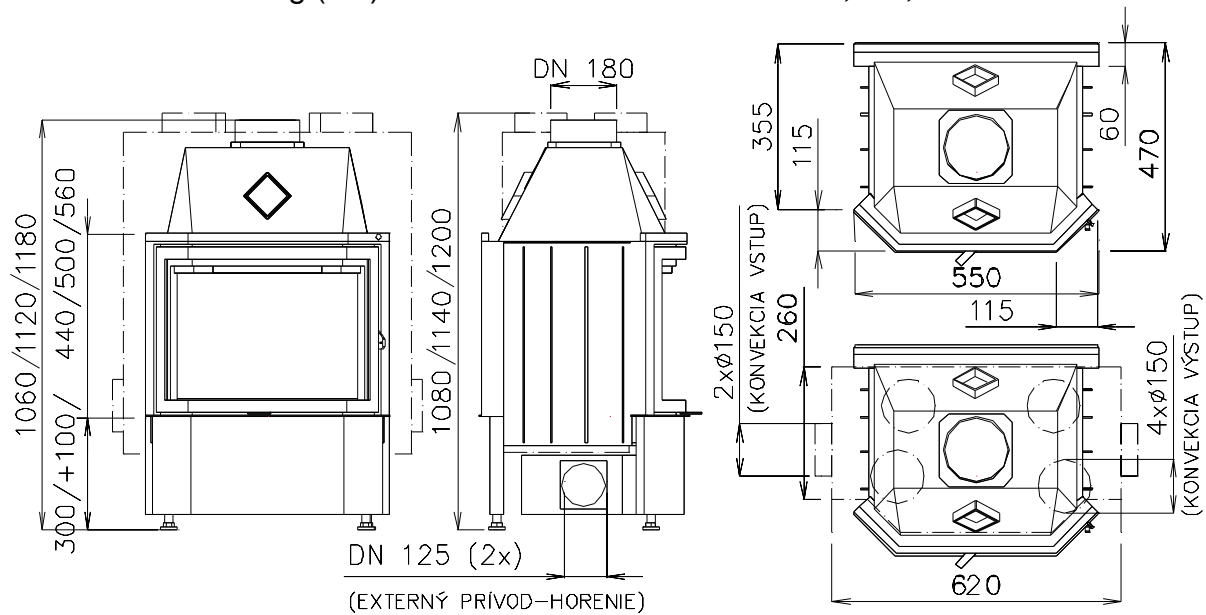
Type:	CHOPOK/ĎUMBIER O R135 780/500,560
Average heat output:	10 kW
Operating heat power:	3-12,5 kW
Flue gas mass flow:	20 g/s
Flue gas temperature:	320 °C
Emission of CO to 13 % O <sub>2</sub> :	0,10%
Pressure required:	12 Pa
Weight:	CH/Ď O R135 780/500/560 230/240 kg
	CH/Ď O R135 VD 850/480/540 265/275 kg



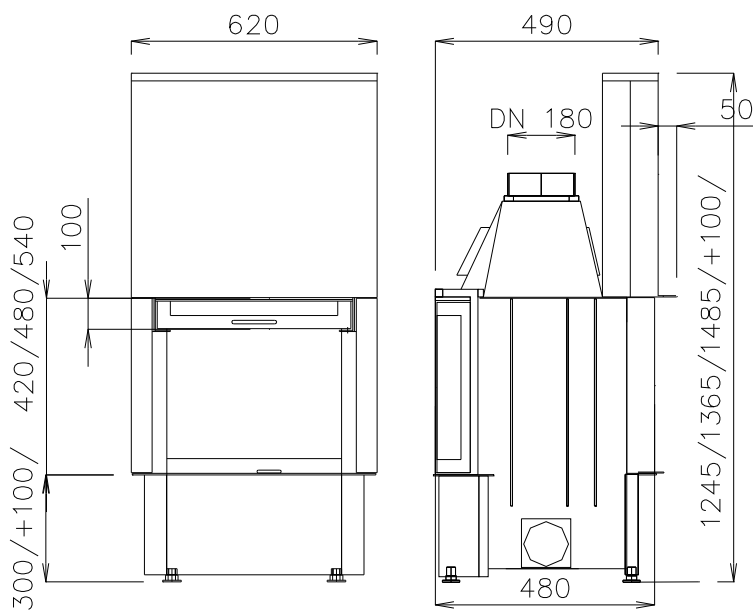
**CHOPOK/ĎUMBIER O 550/440,500,560**

Range 550

- Basic Model: **CHOPOK/ĎUMBIER O 550/440,500,560**
- Convection Casing (DP): **CHOPOK/ĎUMBIER O 550/440,500,560-DP**

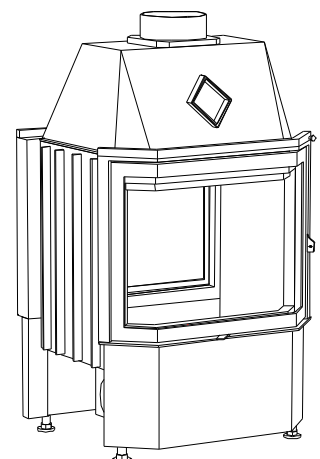


- Vertical Opening Door (VD): **CHOPOK/ĎUMBIER O R135 VD 620/420,480,540**



• **Technical Data:**

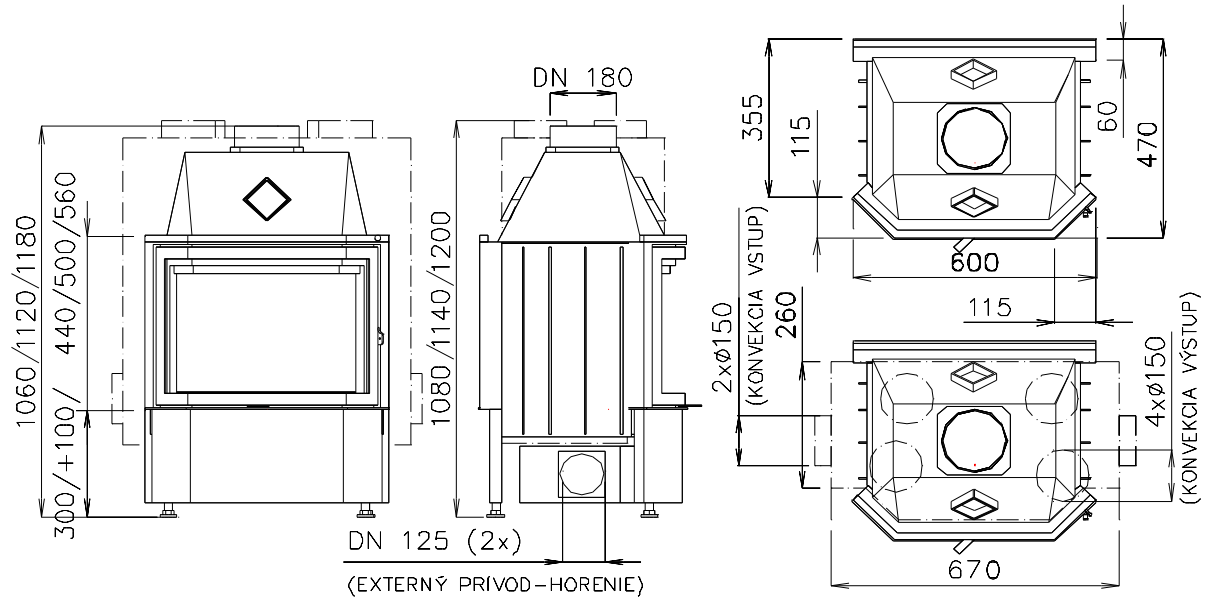
Type:	CHOPOK/ĎUMBIER O 550/440,500,560
Average heat output:	8 kW
Operating heat power:	2-10 kW
Flue gas mass flow:	12 g/s
Flue gas temperature:	240 °C
Emission of CO to 13 % O <sub>2</sub> :	0,12%
Pressure required:	12 Pa
Weight:	CH/D O 550/440/500/560 135/140/145 kg
	CH/D O VD 620/420/480/540 155/160/165 kg



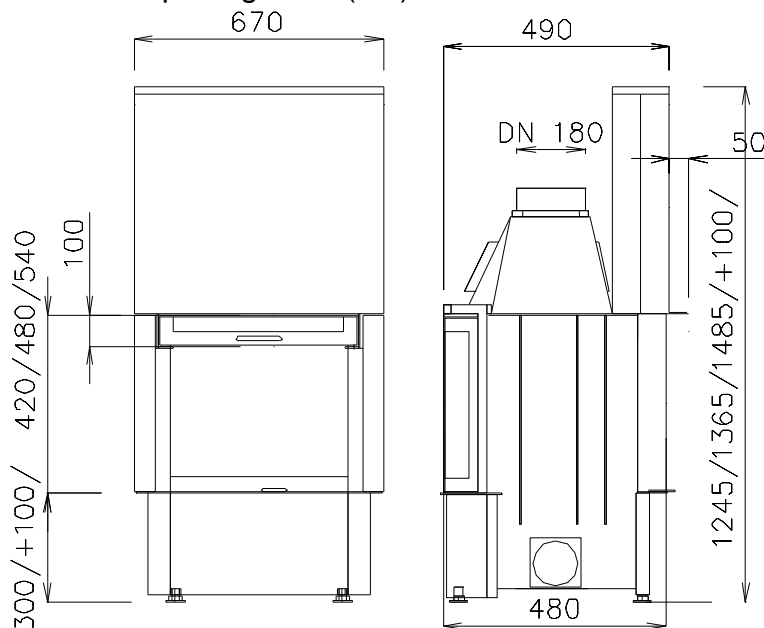
**CHOPOK/ĎUMBIER O 600/440,500,560**

Range 600

- Basic Model: **CHOPOK/ĎUMBIER O 600/440,500,560**
- Convection Casing (DP): *CHOPOK/ĎUMBIER O 600/440,500,560-DP*

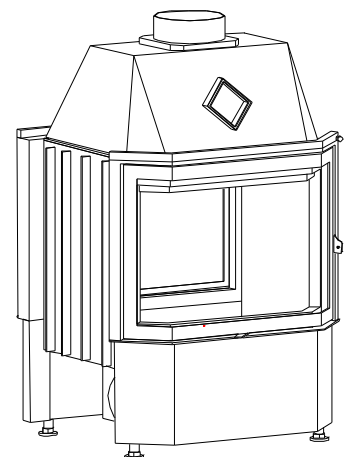


- Vertical Opening Door (VD): *CHOPOK/ĎUMBIER O VD 670/420,480,540*



• **Technical Data:**

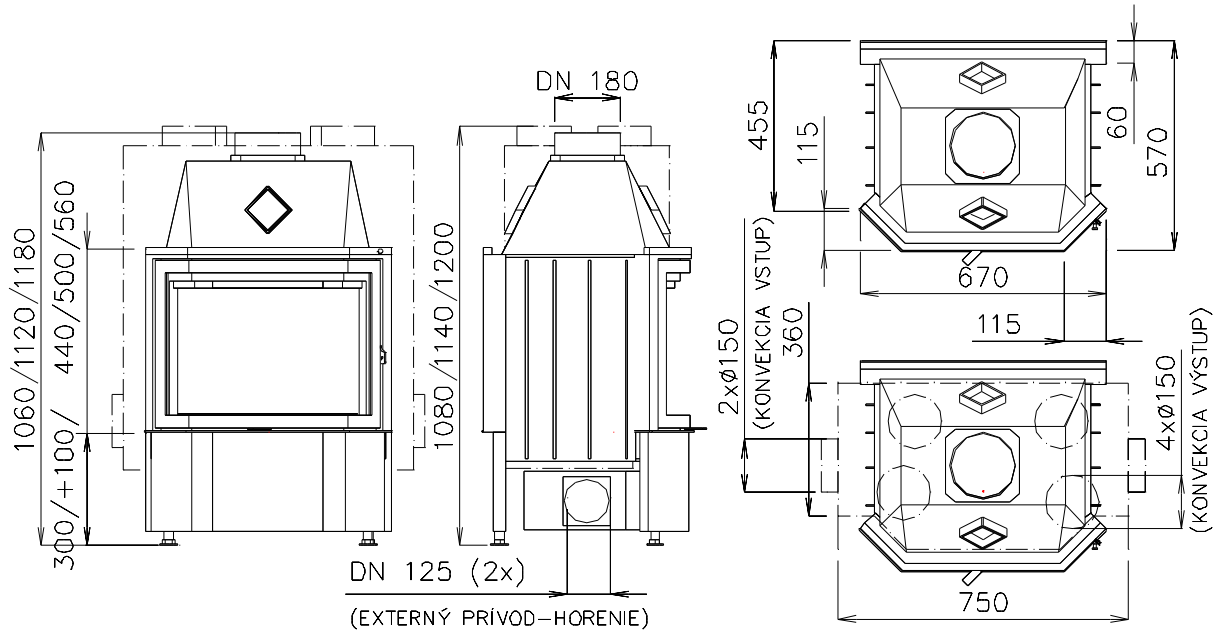
Type:	CHOPOK/ĎUMBIER O 600/440,500,560
Average heat output:	8,5 kW
Operating heat power:	2,5-10,5 kW
Flue gas mass flow:	15 g/s
Flue gas temperature:	250 °C
Emission of CO to 13 % O <sub>2</sub> :	0,12%
Pressure required:	12 Pa
Weight:	CH/Ď O 600/440/500/560 155/160/165 kg
	CH/Ď O VD 670/420/480/540 180/185/190 kg



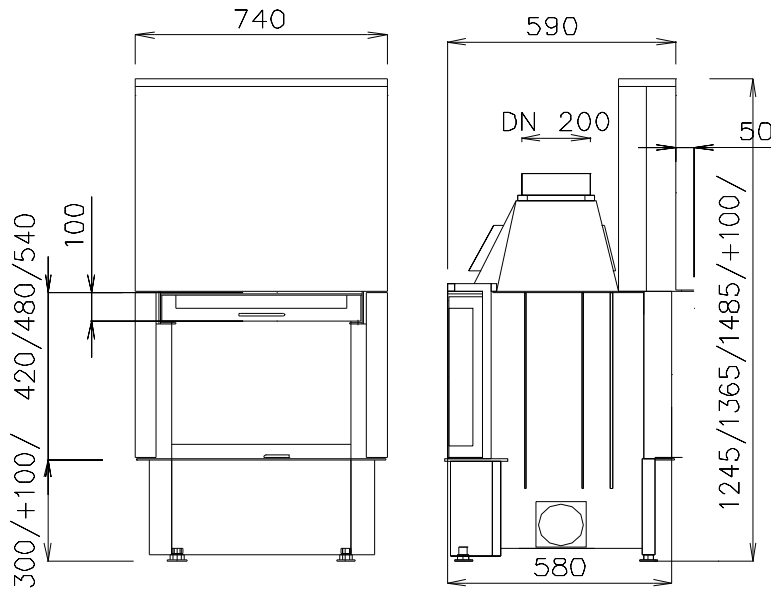
**CHOPOK/ĎUMBIER O 670/440,500,560**

Range 670

- Basic Model: **CHOPOK/ĎUMBIER O 670/440,500,560**
- Convection Casing (DP): **CHOPOK/ĎUMBIER O 670/440,500,560-DP**

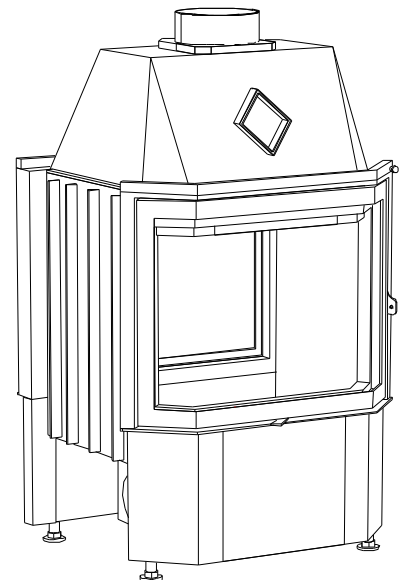


- Vertical Opening Door (VD): **CHOPOK/ĎUMBIER O VD 740/420,480,540**



• **Technical Data:**

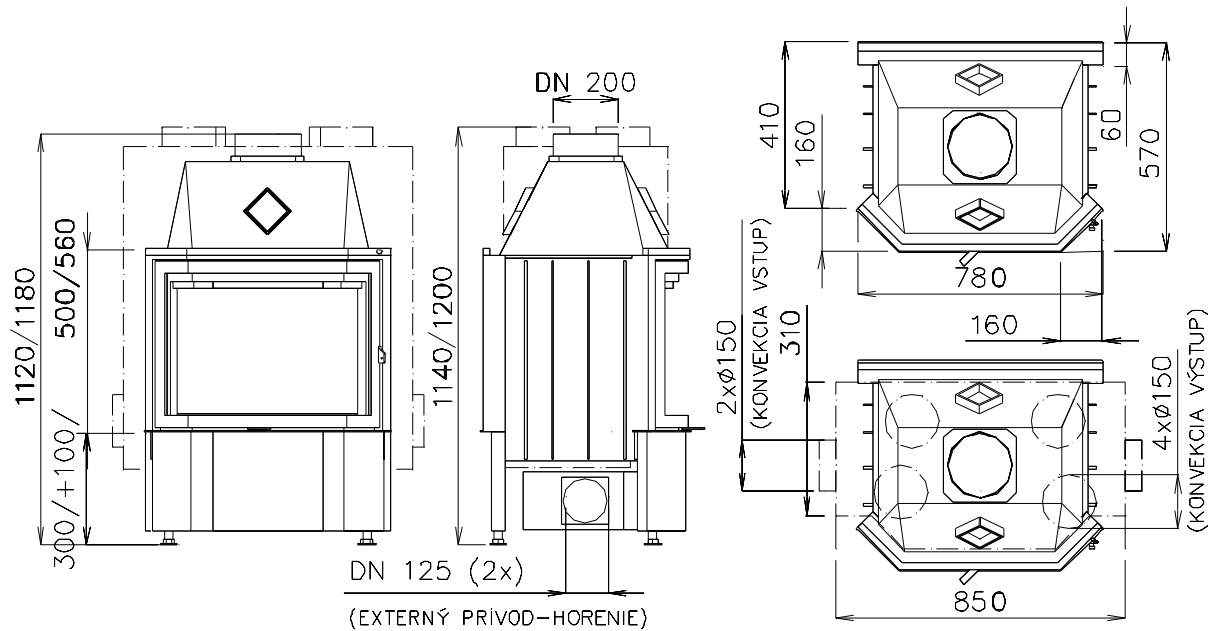
Type:	CHOPOK/ĎUMBIER O 670/440,500,560
Average heat output:	9 kW
Operating heat power:	3-11 kW
Flue gas mass flow:	20 g/s
Flue gas temperature:	2860°C
Emission of CO to 13 % O2:	0,10%
Pressure required:	12 Pa
Weight:	CH/D O 670/440/500/560 190/200/210 kg
	CH/D O VD 740/420/480/540 210/230/240 kg



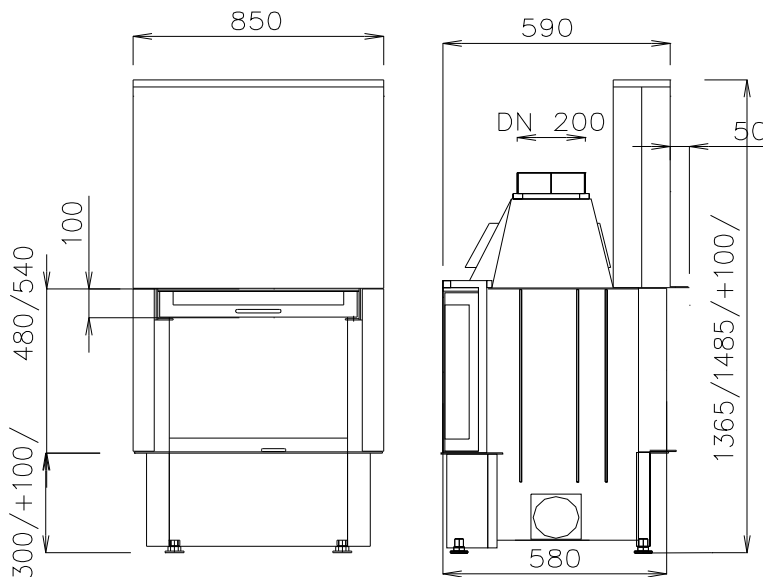
**CHOPOK/ĎUMBIER O 780/500,560**

Range 780

- Basic Model: **CHOPOK/ĎUMBIER O 780/500,560**
- Convection Casing (DP): **CHOPOK/ĎUMBIER O 780/500,560-DP**

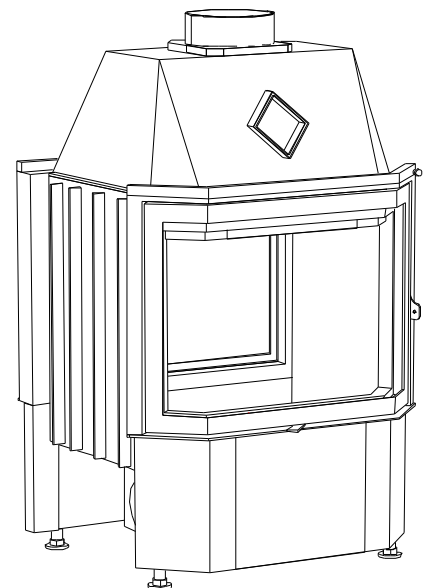


- Vertical Opening Door (VD): **CHOPOK/ĎUMBIER O VD 850/480,540**



• **Technical Data:**

Type:	CHOPOK/ĎUMBIER O 780/500,560
Average heat output:	10 kW
Operating heat power:	3-12,5 kW
Flue gas mass flow:	20 g/s
Flue gas temperature:	320 °C
Emission of CO to 13 % O2:	0,10%
Pressure required:	12 Pa
Weight:	CH/Ď O 780/500/560 230/240 kg
	CH/Ď O VD 850/480/540 265/275 kg

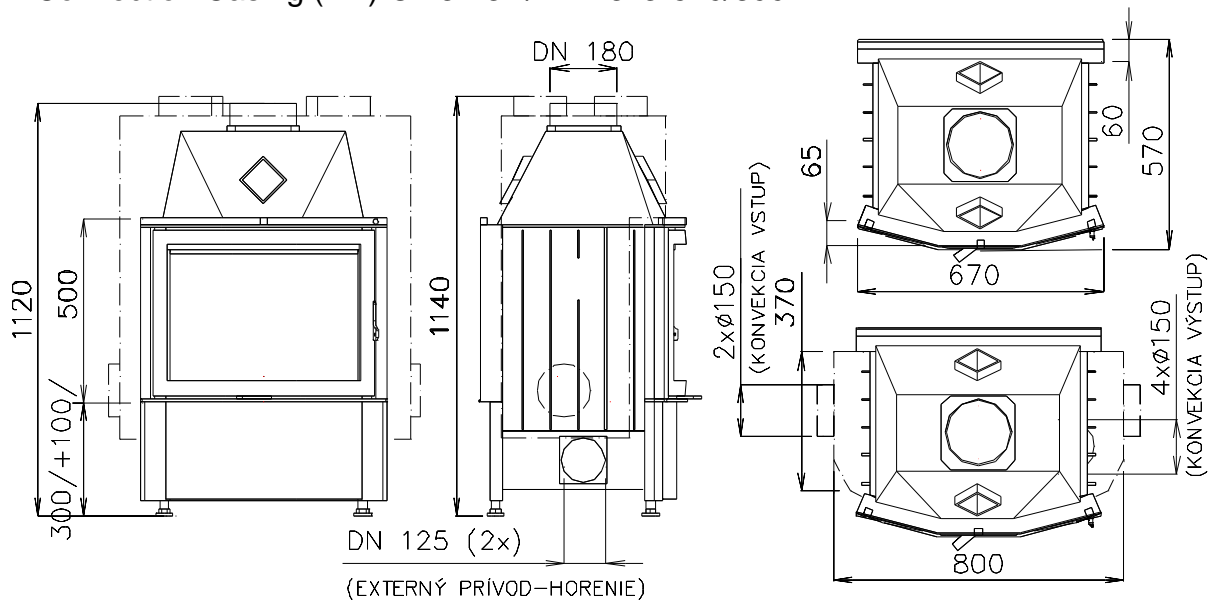




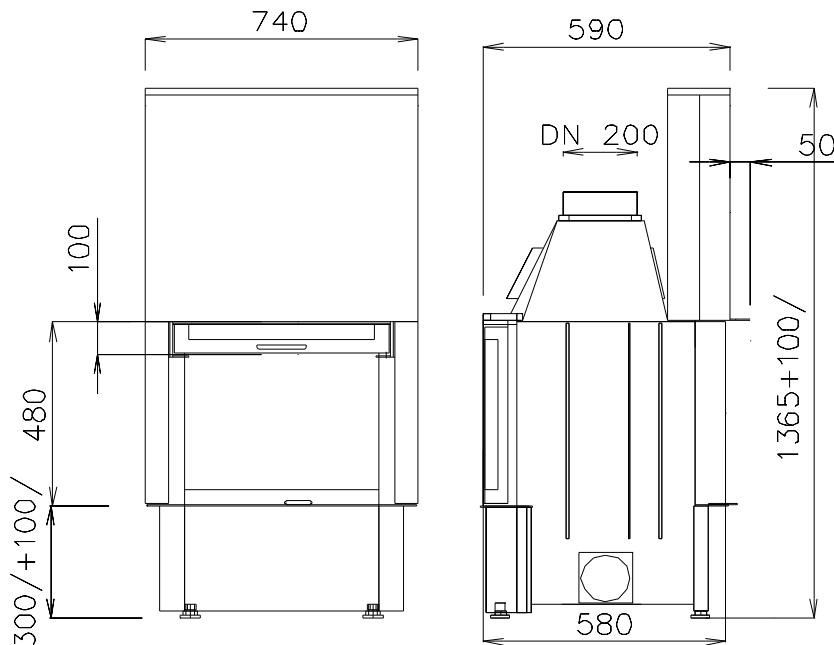
## CHOPOK/MÝTO O 670/500

Range 670

- Basic Model: **CHOPOK/MÝTO O 670/500**
- Convection Casing (DP): **CHOPOK/MÝTO O 670/500-DP**

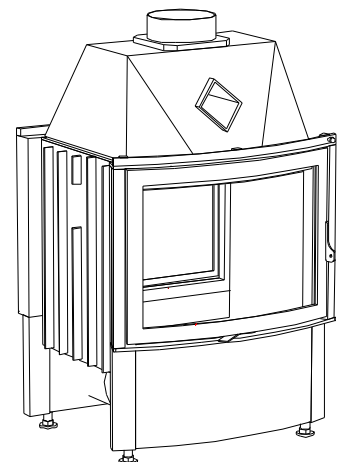


- Vertical Opening Door (VD): **CHOPOK/MÝTO O VD 740/480**



### • Technical Data:

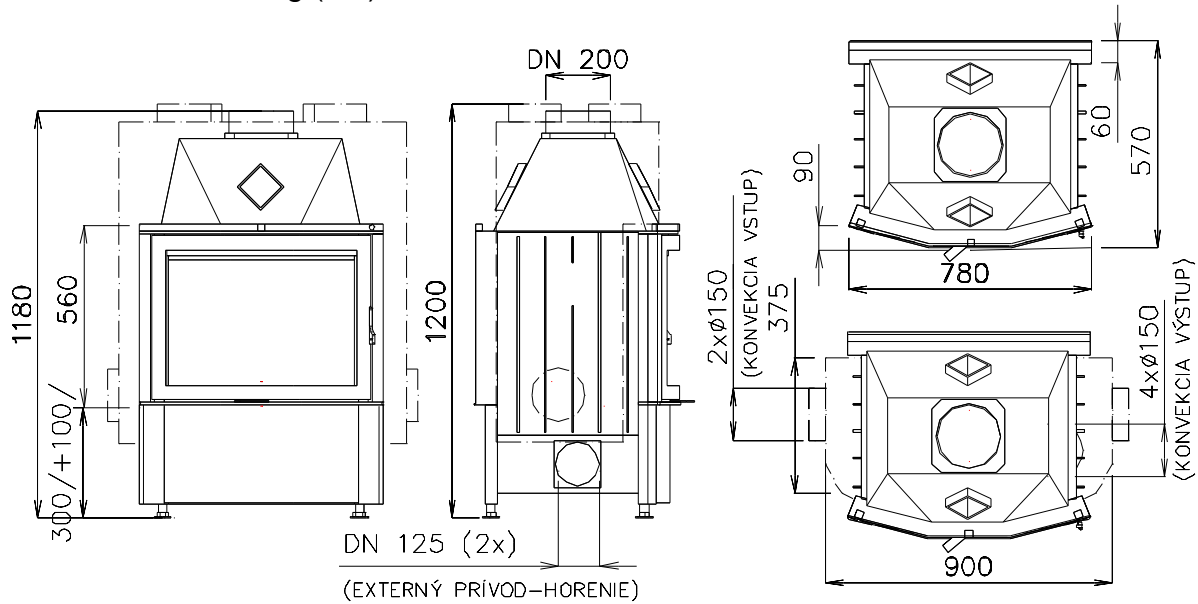
Type:	CHOPOK/MÝTO O 670/500
Average heat output:	9 kW
Operating heat power:	3-11 kW
Flue gas mass flow:	20 g/s
Flue gas temperature:	280 °C
Emission of CO to 13 % O <sub>2</sub> :	0,10%
Pressure required:	12 Pa
Weight: CH/M O 670/500	200 kg
CH/M O VD 740/480	230 kg



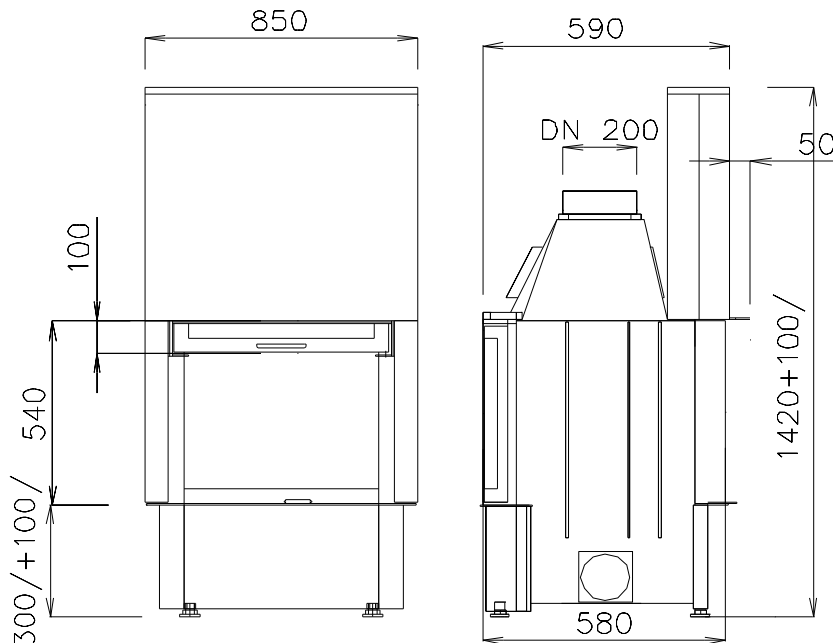
**CHOPOK/MÝTO R900 O 780/560**

Range 780

- Basic Model: **CHOPOK/MÝTO R900 O 780/560**
- Convection Casing (DP): **CHOPOK/MÝTO R900 O 780/560-DP**

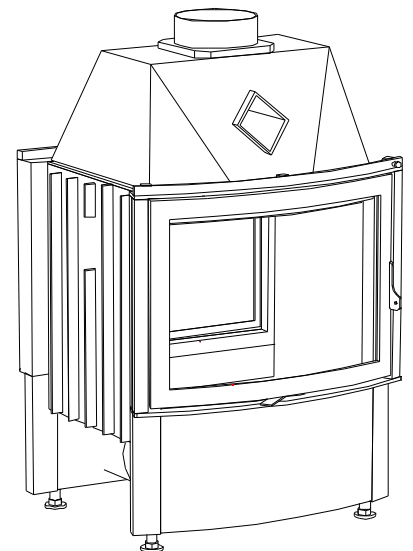


- Vertical Opening Door (VD): **CHOPOK/MÝTO R900 O VD 850/540**



• **Technical Data:**

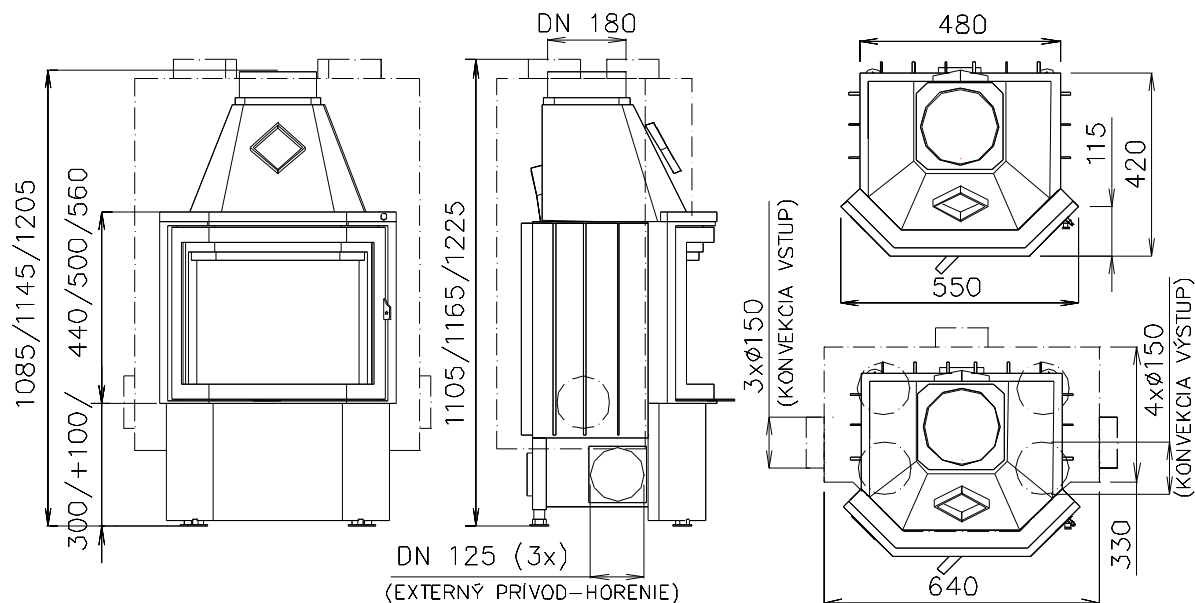
Type:	CHOPOK/MÝTO R900 O 780/560
Average heat output:	10 kW
Operating heat power:	3-12,5 kW
Flue gas mass flow:	20 g/s
Flue gas temperature:	320 °C
Emission of CO to 13 % O <sub>2</sub> :	0,10%
Pressure required:	12 Pa
Weight:	CH/M R900 O 780/560
	240 kg
	CH/M R900 O VD 850/540
	275 kg



**ĎUMBIER 550/440,500,560**

Range 550

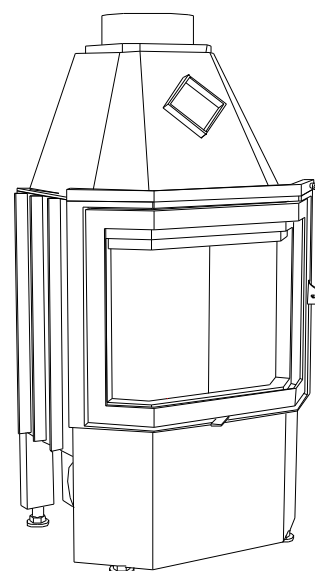
- Basic Model: **ĎUMBIER 550/440,500,560**
- Convection Casing (DP): **ĎUMBIER 550/440,500,560-DP**



- Vertical Opening Door (VD): **ĎUMBIER VD 620/420,480,540**

• **Technical Data:**

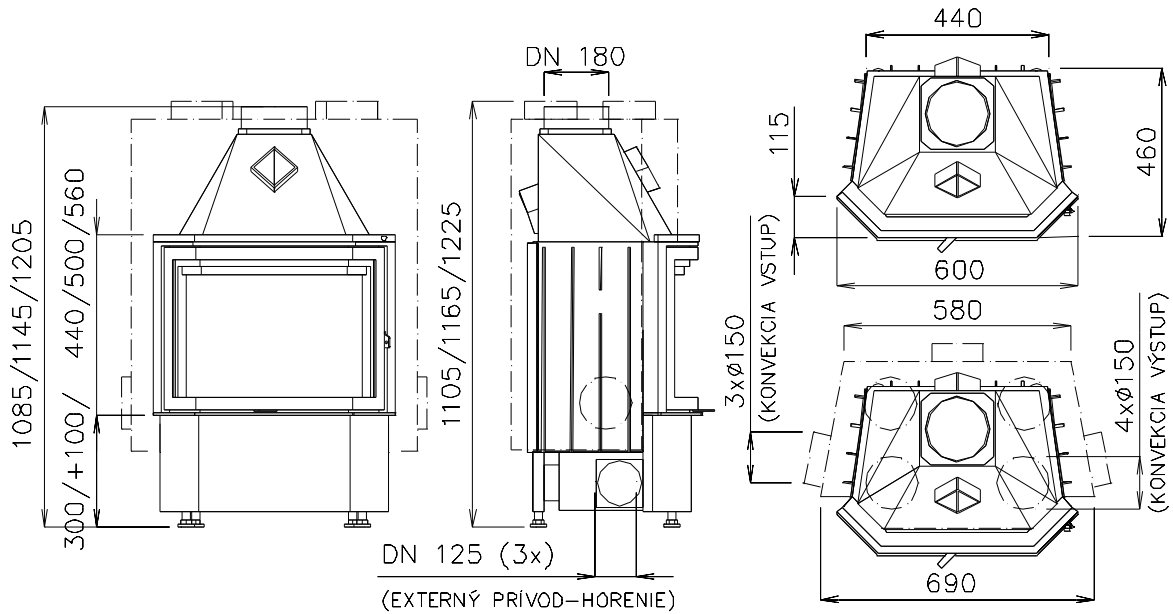
Type:	ĎUMBIER 550/440,500,560
Average heat output:	8 kW
Operating heat power:	2-10 kW
Flue gas mass flow:	12 g/s
Flue gas temperature:	240 °C
Emission of CO to 13 % O <sub>2</sub> :	0,12%
Pressure required:	12 Pa
Weight: D 550/440/500/560	150/155/160 kg
D VD 620/420/480/540	



**ĎUMBIER 600/440,500,560**

Range 600

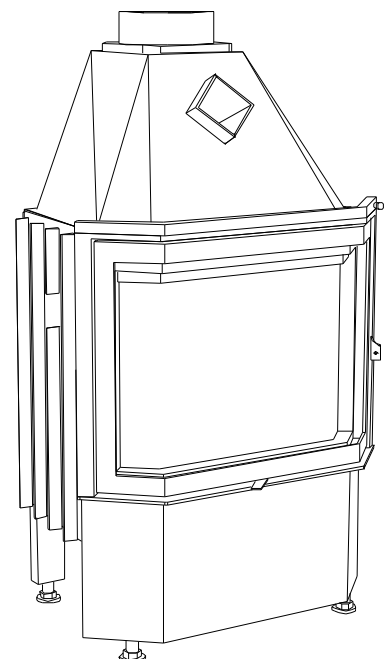
- Basic Model: **ĎUMBIER 600/440,500,560**
- Convection Casing (DP): **ĎUMBIER 600/440,500,560-DP**



- Vertical Opening Door (VD): **ĎUMBIER VD 670/420,480,540**

• **Technical Data:**

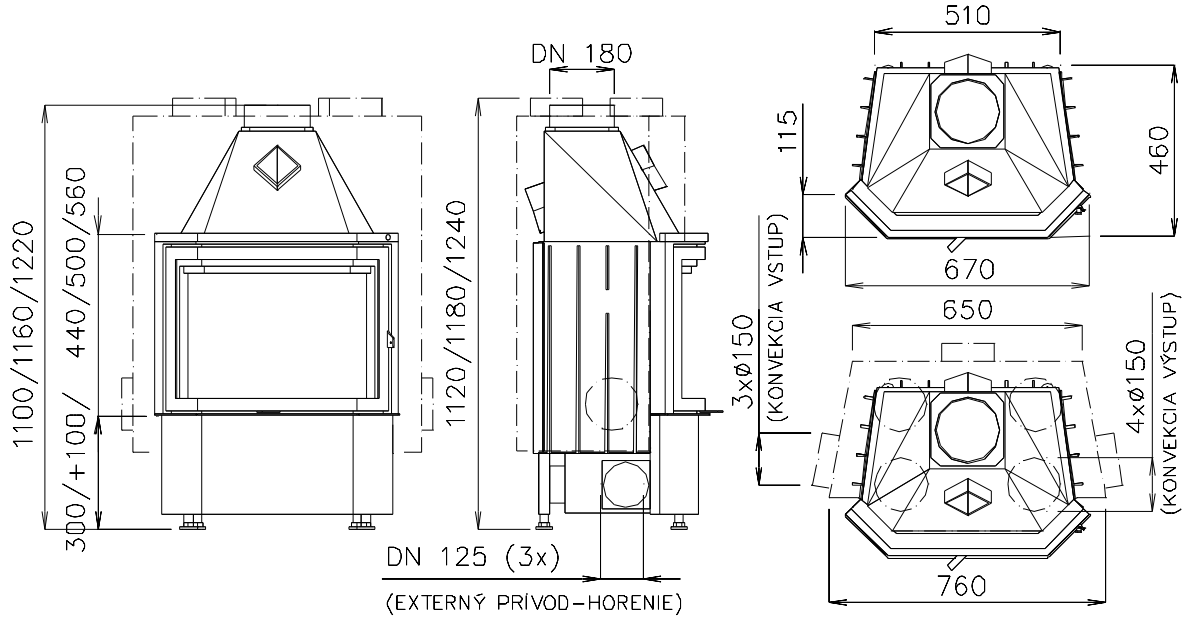
Type:	ĎUMBIER 600/440,500,560
Average heat output:	8,5 kW
Operating heat power:	2,5-10,5 kW
Flue gas mass flow:	15 g/s
Flue gas temperature:	250 °C
Emission of CO to 13 % O <sub>2</sub> :	0,12%
Pressure required:	12 Pa
Weight: D 600/440/500/560	150/160.165 kg
D VD 670/420/480/540	



**ĎUMBIER 670/440,500,560**

Range 670

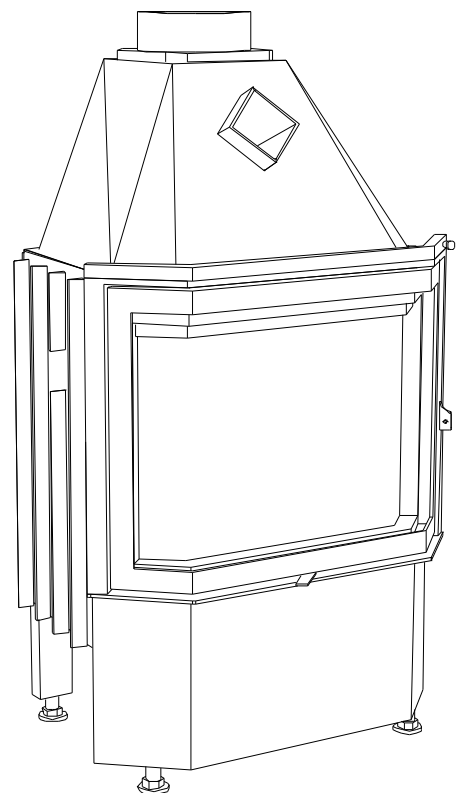
- Basic Model: **ĎUMBIER 670/440,500,560**
- Convection Casing (DP): **ĎUMBIER 670/440,500,560-DP**



- Vertical Opening Door (VD): **ĎUMBIER VD 740/420,480,540**

• **Technical Data:**

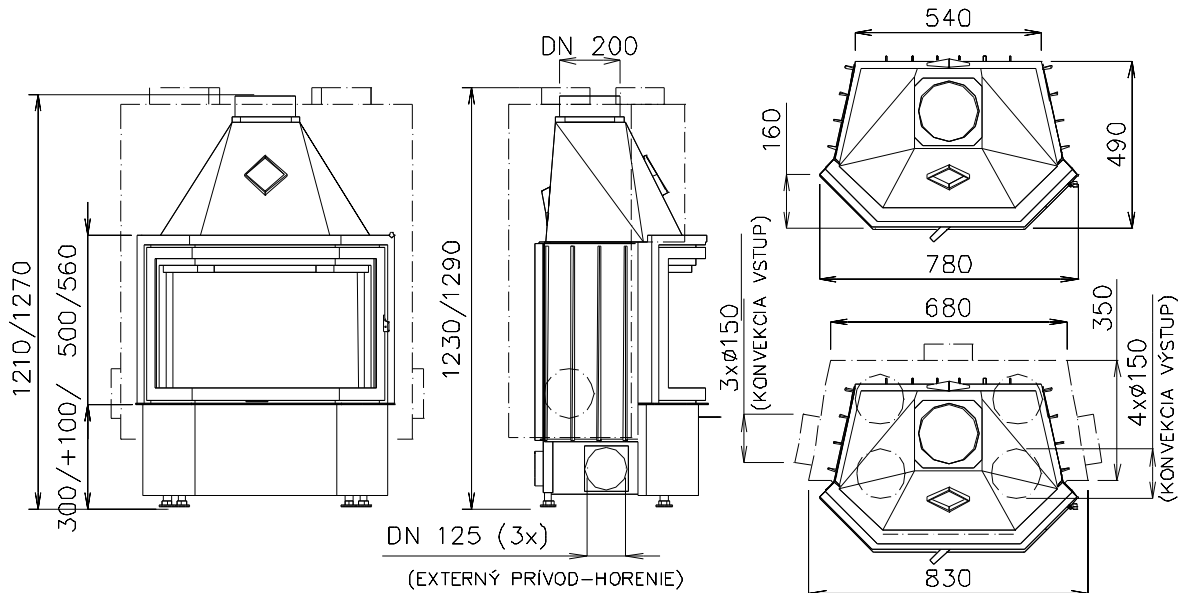
Type:	ĎUMBIER 670/440,500,560
Average heat output:	9 kW
Operating heat power:	3-11 kW
Flue gas mass flow:	20 g/s
Flue gas temperature:	280 °C
Emission of CO to 13 % O <sub>2</sub> :	0,10%
Pressure required:	12 Pa
Weight: D 670/440/500/560	160/170/180 kg
D VD 740/420/480/540	



**ĎUMBIER 780/500,560**

Range 780

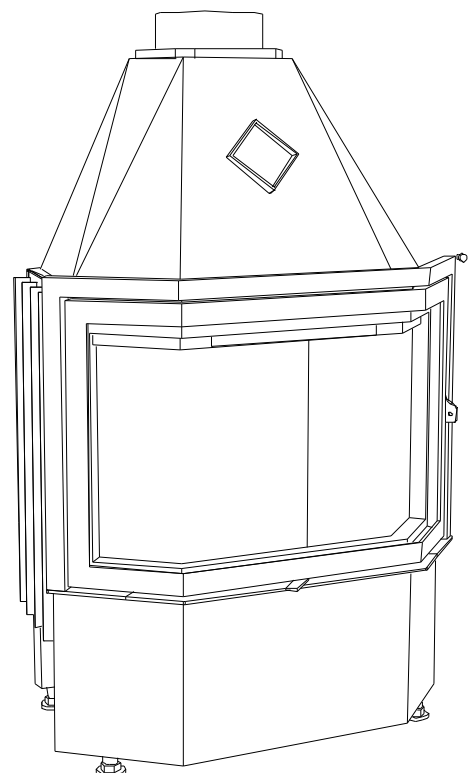
- Basic Model: **ĎUMBIER 780/500,560**
- Convection Casing (DP): **ĎUMBIER 780/500,560-DP**



- Vertical Opening Door (VD): **ĎUMBIER VD 850/480,540**

• **Technical Data:**

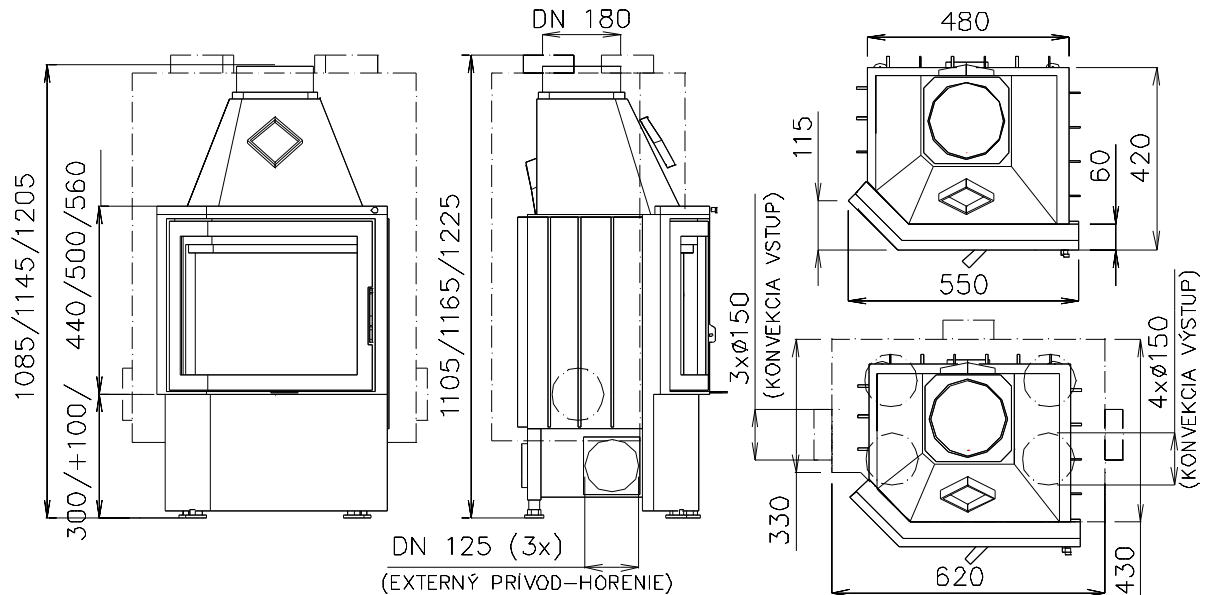
Type:	ĎUMBIER 780/500,560
Average heat output:	10 kW
Operating heat power:	3-12,5 kW
Flue gas mass flow:	20 g/s
Flue gas temperature:	320 °C
Emission of CO to 13 % O <sub>2</sub> :	0,10%
Pressure required:	12 Pa
Weight: D 780/500/560	195/205 kg
D VD 850/480/540	



**ĎUMBIER R135 550/440,500,560**

Range 550

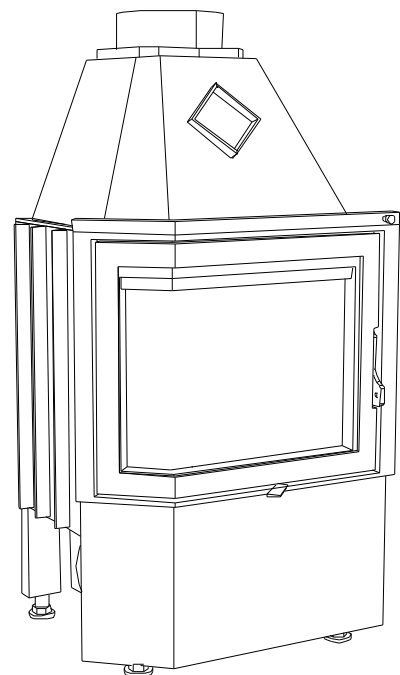
- Basic Model: **ĎUMBIER R135 550/440,500,560**
- Convection Casing (DP): **ĎUMBIER R135 550/440,500,560-DP**



- Vertical Opening Door (VD): **ĎUMBIER R135 VD 620/420,480,540**

• **Technical Data:**

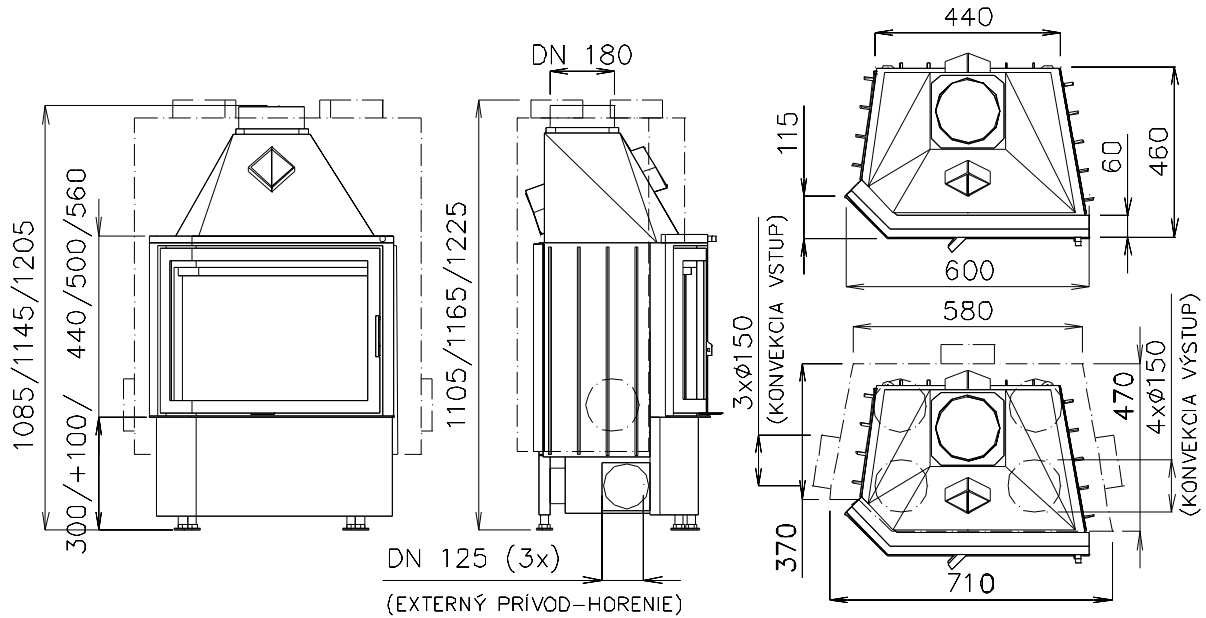
Type:	ĎUMBIER R135 550/440,500,560
Average heat output:	8 kW
Operating heat power:	2-10 kW
Flue gas mass flow:	12 g/s
Flue gas temperature:	240 °C
Emission of CO to 13 % O2:	0,12%
Pressure required:	12 Pa
Weight:	D R135 550/440/500/560 150/155/160 kg
	D R135 VD 620/420/480/540



**ĎUMBIER R135 600/440,500,560**

Range 600

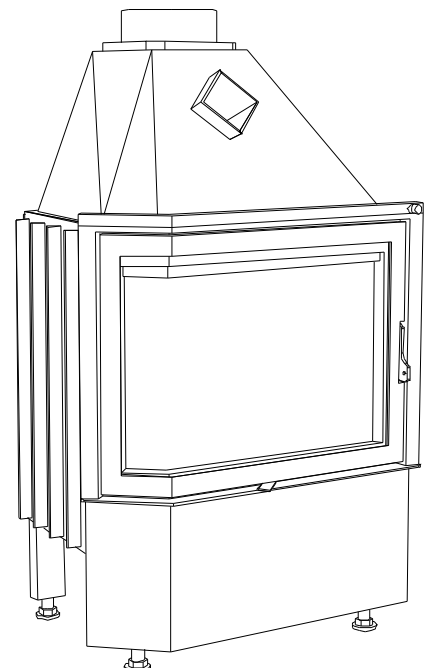
- Basic Model: **ĎUMBIER R135 600/440,500,560**
- Convection Casing (DP): **ĎUMBIER R135 600/440,500,560-DP**



- Vertical Opening Door (VD): **ĎUMBIER R135 VD 670/420,480,540**

• **Technical Data:**

Type:	ĎUMBIER R135 600/440,500,560
Average heat output:	8,5 kW
Operating heat power:	2,5-10,5 kW
Flue gas mass flow:	15 g/s
Flue gas temperature:	250 °C
Emission of CO to 13 % O2:	0,12%
Pressure required:	12 Pa
Weight:	D R135 600/440/500/560 150/160/165kg D R135 VD 670/420/480/540

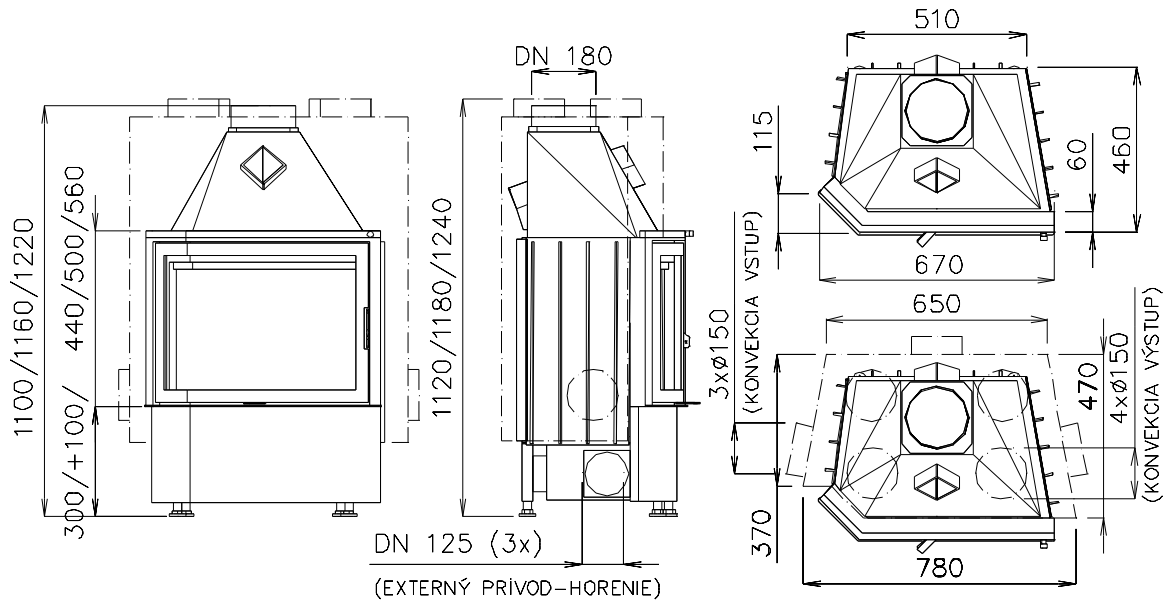




**ĎUMBIER R135 670/440,500,560**

Range 670

- Basic Model: **ĎUMBIER R135 670/440,500,560**
- Convection Casing (DP): **ĎUMBIER R135 670/440,500,560-DP**

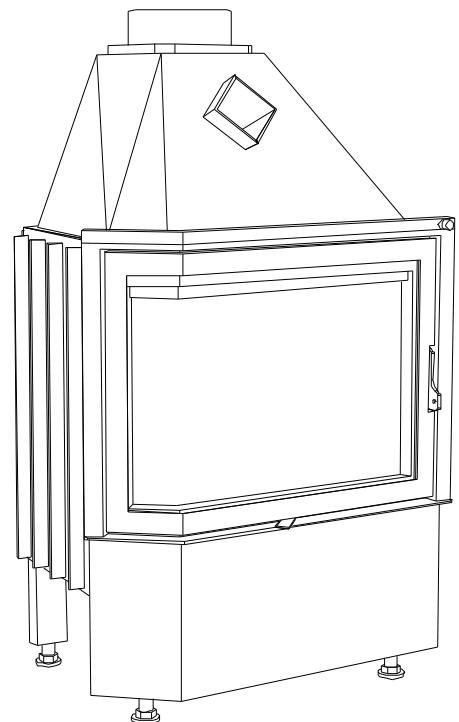


- Vertical Opening Door (VD): **ĎUMBIER R135 VD 740/420,480,540**

• **Technical Data:**

Type:  
ĎUMBIER R135 670/440,500,560

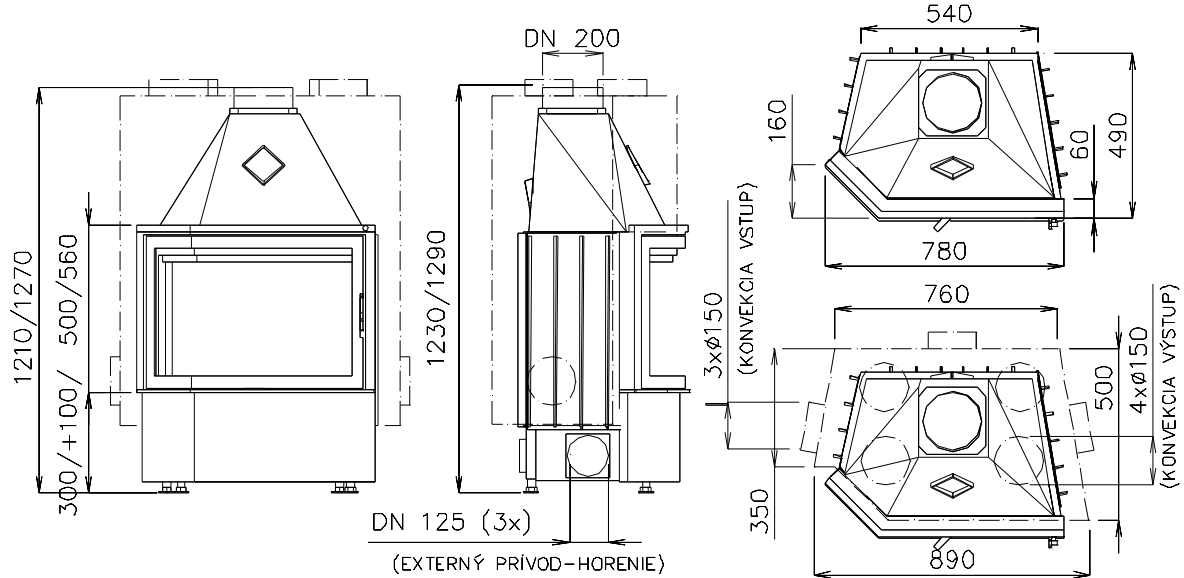
Average heat output:	9 kW
Operating heat power:	3-11 kW
Flue gas mass flow:	20 g/s
Flue gas temperature:	280 °C
Emission of CO to 13 % O <sub>2</sub> :	0,10%
Pressure required:	12 Pa
Weight:	D R135 670/440/500/560 160/170/180 kg
	D R135 VD 740/420/480/540



**ĎUMBIER R135 780/500,560**

Range 780

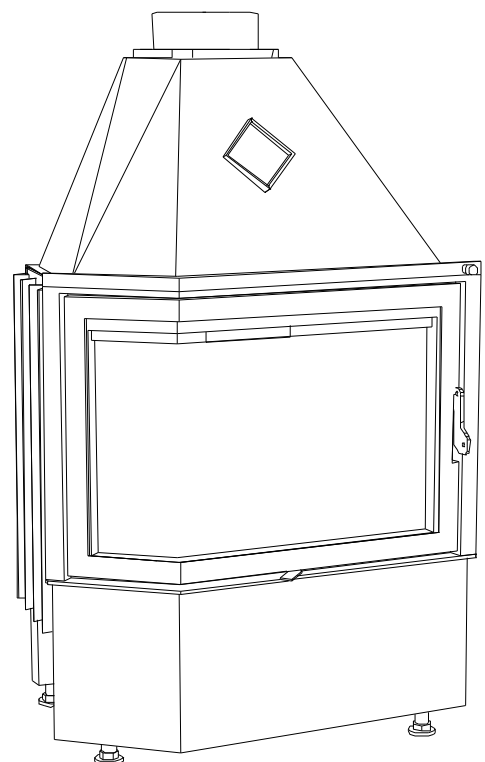
- Basic Model: **ĎUMBIER R135 780/500,560**
- Convection Casing (DP): **ĎUMBIER R135 780/500,560-DP**



- Vertical Opening Door (VD): **ĎUMBIER R 135 VD 850/480,540**

• **Technical Data:**

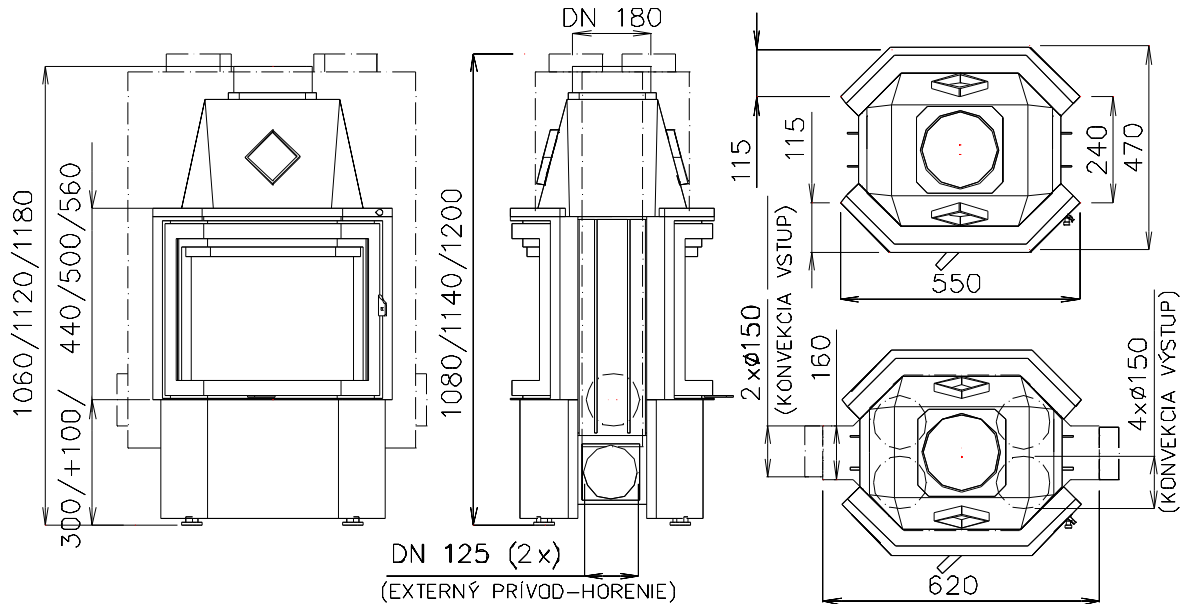
Type:	ĎUMBIER R135 780/500,560
Average heat output:	10 kW
Operating heat power:	3-12,5 kW
Flue gas mass flow:	20 g/s
Flue gas temperature:	320 °C
Emission of CO to 13 % O <sub>2</sub> :	0,10%
Pressure required:	12 Pa
Weight: D R135 780/500/560	190/205 kg
D R135 VD 780/480/540	



**ĎUMBIER O 550/440,500,560**

Range 550

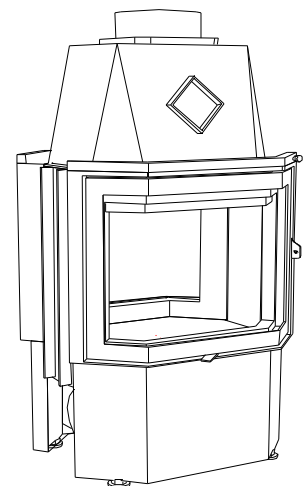
- Basic Model: **ĎUMBIER O 550/440,500,560**
- Convection Casing (DP): **ĎUMBIER O 550/440,500,560-DP**



- Vertical Opening Door (VD): **ĎUMBIER O VD 620/420,480,540**

• **Technical Data:**

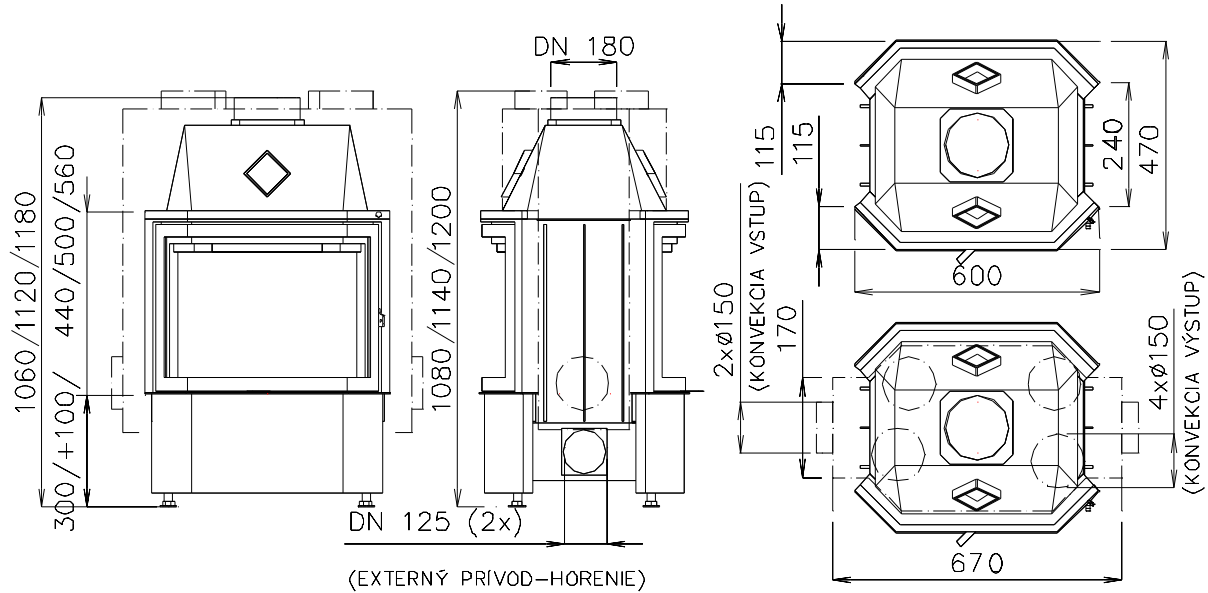
Type:	ĎUMBIER O 550/440,500,560
Average heat output:	8 kW
Operating heat power:	2-10 kW
Flue gas mass flow:	12 g/s
Flue gas temperature:	240 °C
Emission of CO to 13 % O <sub>2</sub> :	0,12%
Pressure required:	12 Pa
Weight: D O 550/440/500/560	130/135/140 kg
D O VD 620/420/480/540	



**ĎUMBIER O 600/440,500,560**

Range 600

- Basic Model: **ĎUMBIER O 600/440,500,560**
- Convection Casing (DP): **ĎUMBIER O 600/440,500,560-DP**

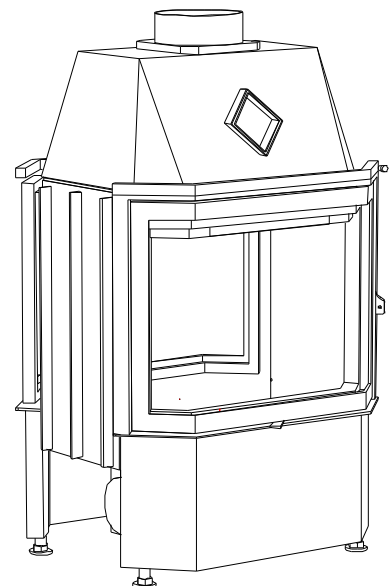


- Vertical Opening Door (VD): **ĎUMBIER O VD 670/420,480,540**

• **Technical Data:**

Type:	ĎUMBIER O 600/440,500,560
Average heat output:	8,5 kW
Operating heat power:	2,5-10,5 kW
Flue gas mass flow:	15 g/s
Flue gas temperature:	250 °C
Emission of CO to 13 % O <sub>2</sub> :	0,12%
Pressure required:	12 Pa
Weight: D O 600/440/500/560	140/145/150 kg

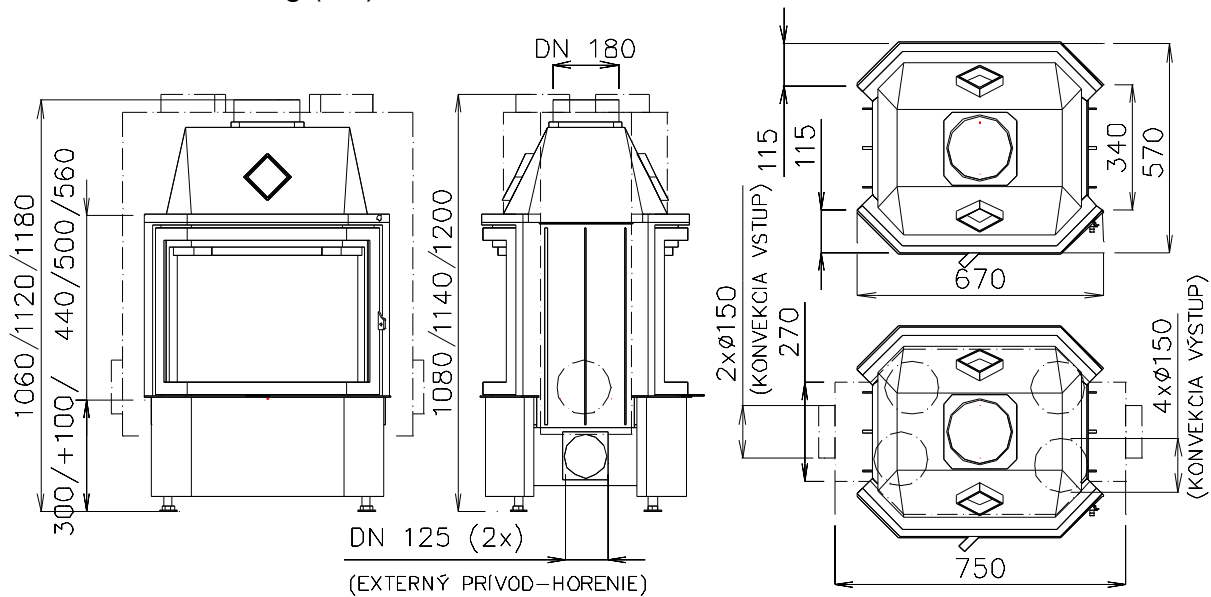
D O VD 670/420/480/540



**ĎUMBIER O 670/440,500,560**

Range 670

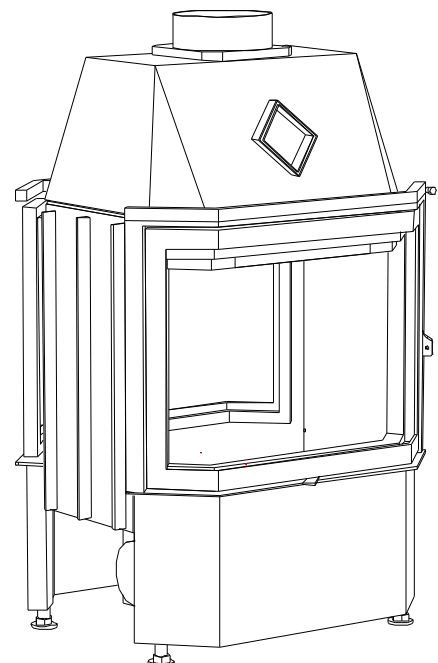
- Basic Model: **ĎUMBIER O 670/440,500,560**
- Convection Casing (DP): **ĎUMBIER O 670/440,500,560-DP**



- Vertical Opening Door (VD): **ĎUMBIER O VD 740/420,480,540**

• **Technical Data:**

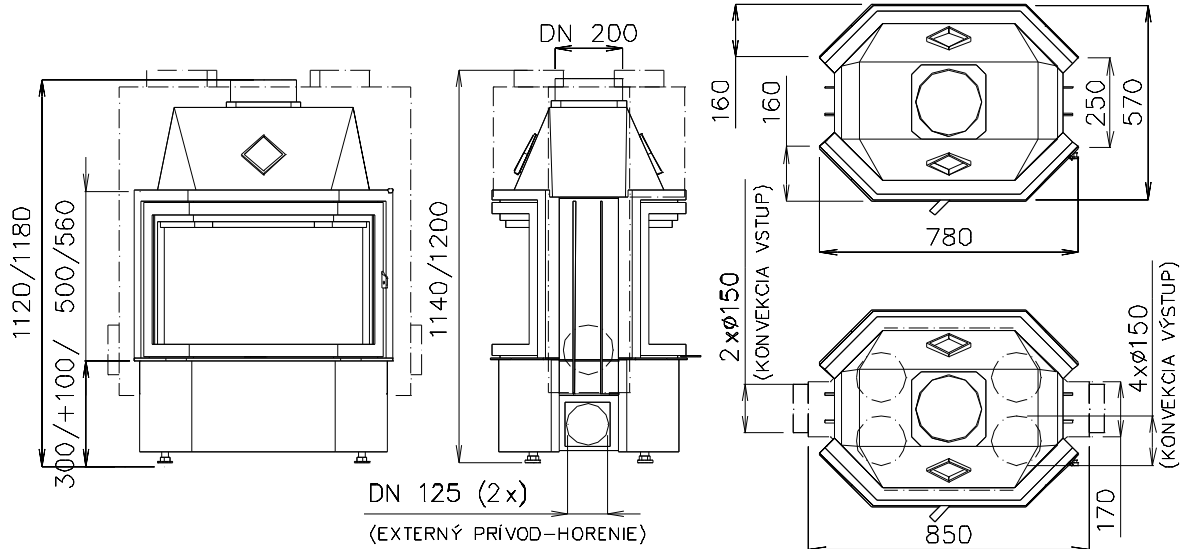
Type:	ĎUMBIER O 670/440,500,560
Average heat output:	9 kW
Operating heat power:	3-11 kW
Flue gas mass flow:	20 g/s
Flue gas temperature:	280 °C
Emission of CO to 13 % O <sub>2</sub> :	0,10%
Pressure required:	12 Pa
Weight: D O 670/440/500/560	150/160/170 kg
D O VD 740/420/480/540	



**ĎUMBIER O 780/500,560**

Range 780

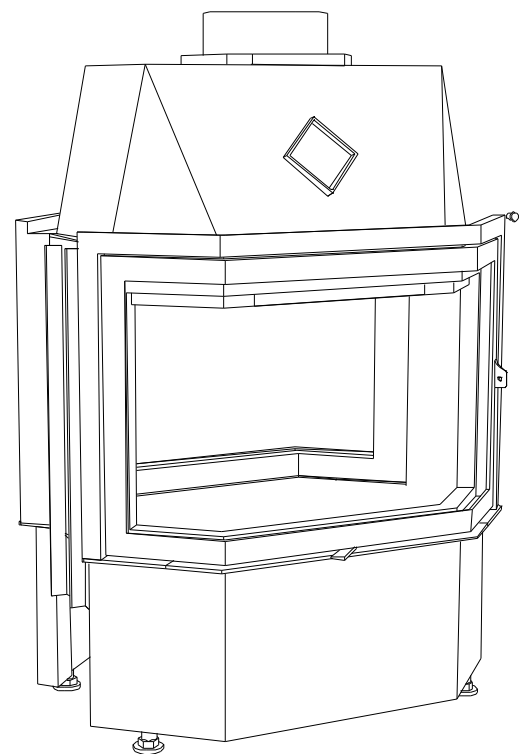
- Basic Model: **ĎUMBIER O 780/500,560**
- Convection Casing (DP): **ĎUMBIER O 780/500,560-DP**



- Vertical Opening Door (VD): **ĎUMBIER VD O 850/480,540**

• **Technical Data:**

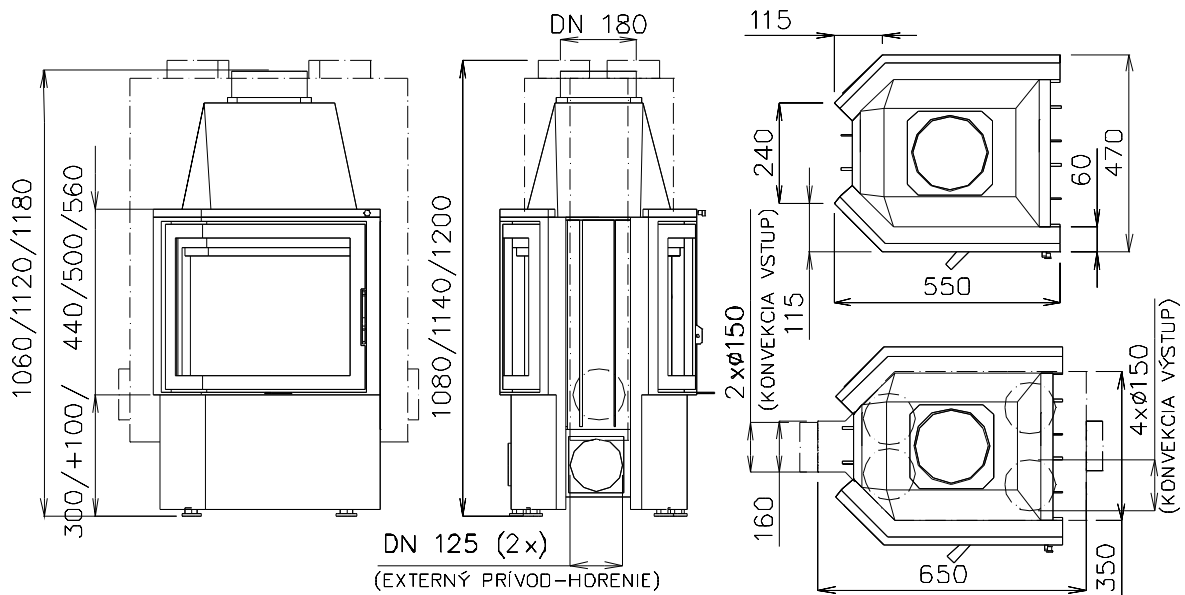
Type:	ĎUMBIER O 780/500,560
Average heat output:	10 kW
Operating heat power:	3-12,5 kW
Flue gas mass flow:	20 g/s
Flue gas temperature:	320 °C
Emission of CO to 13 % O <sub>2</sub> :	0,10%
Pressure required:	12 Pa
Weight: D O 780/500/560	180/190 kg
D O VD 850/480/540	



**ĎUMBIER R135 O 550/440,500,560**

Range 550

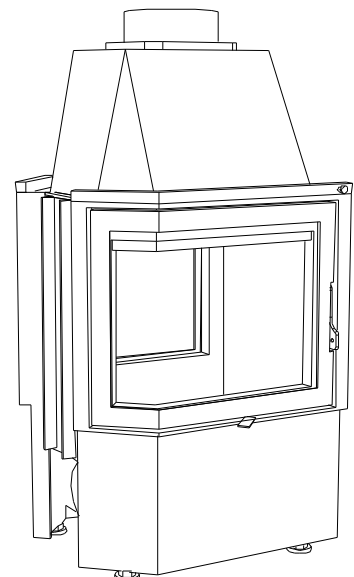
- Basic Model: **ĎUMBIER R135 O 550/440,500,560**
- Convection Casing (DP): **ĎUMBIER R135 O 550/440,500,560-DP**



- Vertical Opening Door (VD): **ĎUMBIER R135 O VD 620/420,480,540**

• **Technical Data:**

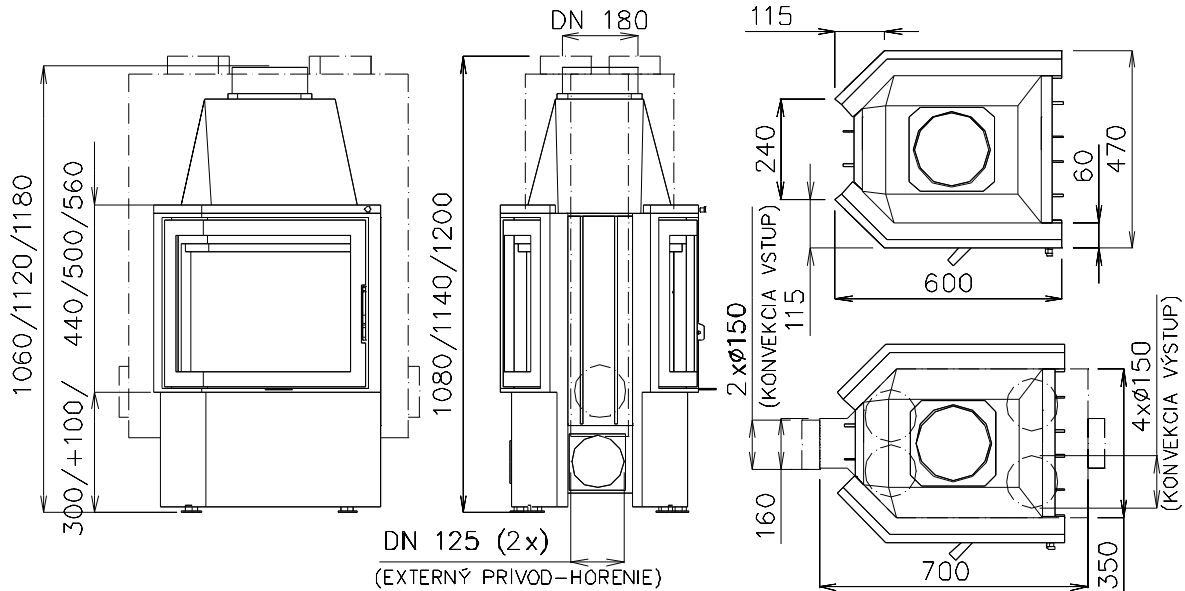
Type:	ĎUMBIER R135 O 550/440,500,560
Average heat output:	8 kW
Operating heat power:	2-10 kW
Flue gas mass flow:	12 g/s
Flue gas temperature:	240 °C
Emission of CO to 13 % O <sub>2</sub> :	0,12%
Pressure required:	12 Pa
Weight:	D R135 O 550/440/500/560 135/140/145 kg
	D R135 O VD 620/420/480/540



**ĎUMBIER R135 O 600/440,500,560**

Range 600

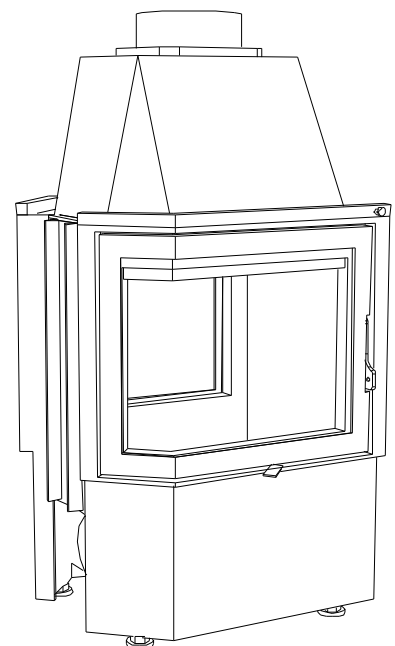
- Basic Model: **ĎUMBIER R135 O 600/440,500,560**
- Convection Casing (DP): **ĎUMBIER R135 O 600/440,500,560-DP**



- Vertical Opening Door (VD): **ĎUMBIER R135 O VD 670/420,480,540**

• **Technical Data:**

Type:	ĎUMBIER R135 O 600/440,500,560
Average heat output:	8,5 kW
Operating heat power:	2,5-10,5 kW
Flue gas mass flow:	15 g/s
Flue gas temperature:	250 °C
Emission of CO to 13 % O2:	0,12%
Pressure required:	12 Pa
Weight:	D R135 O 600/440/500/560 145/150/155 kg
	D R135 O VD 670/420/480/540

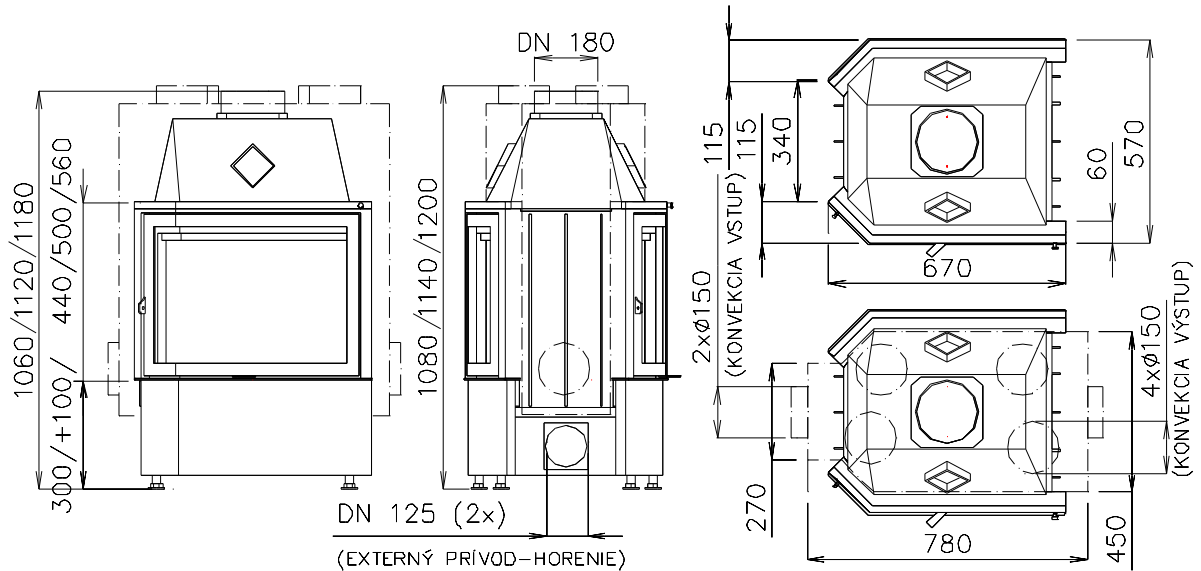




**ĎUMBIER R135 O 670/440,500,560**

Range 670

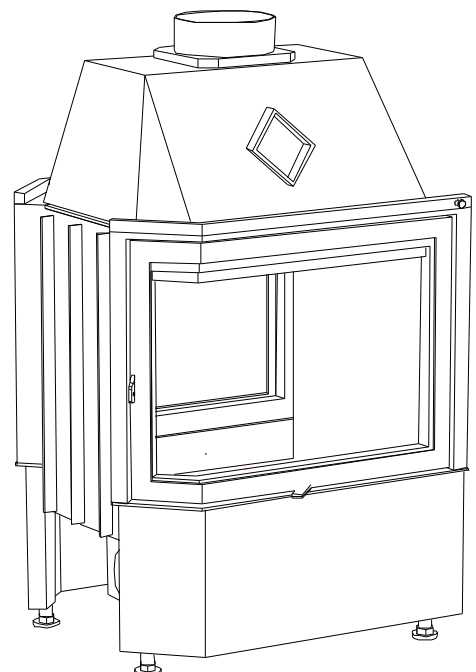
- Basic Model: **ĎUMBIER R135 O 670/440,500,560**
- Convection Casing (DP): **ĎUMBIER R135 O 670/440,500,560-DP**



- Vertical Opening Door (VD): **ĎUMBIER R135 O VD 740/420,480,540**

• **Technical Data:**

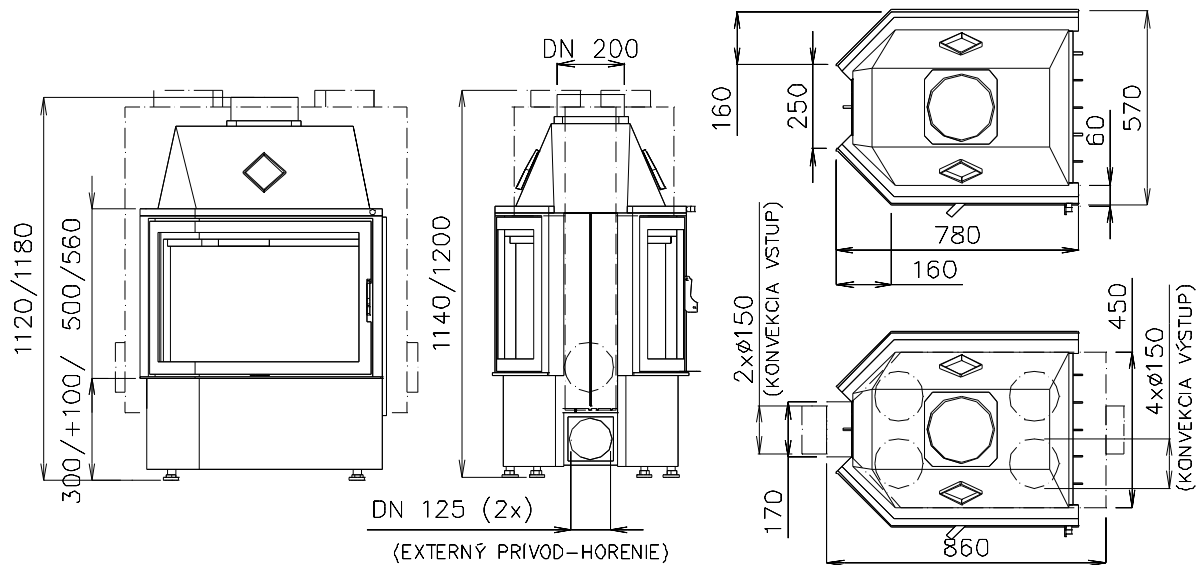
Type:	ĎUMBIER R135 O 670/440,500,560
Average heat output:	9 kW
Operating heat power:	3-11 kW
Flue gas mass flow:	20 g/s
Flue gas temperature:	280 °C
Emission of CO to 13 % O2:	0,10%
Pressure required:	12 Pa
Weight: D R135 O 670/440/500/560	150/160/170 kg
D R135 O VD 740/420/480/540	



**ĎUMBIER R135 O 780/500,560**

Range 780

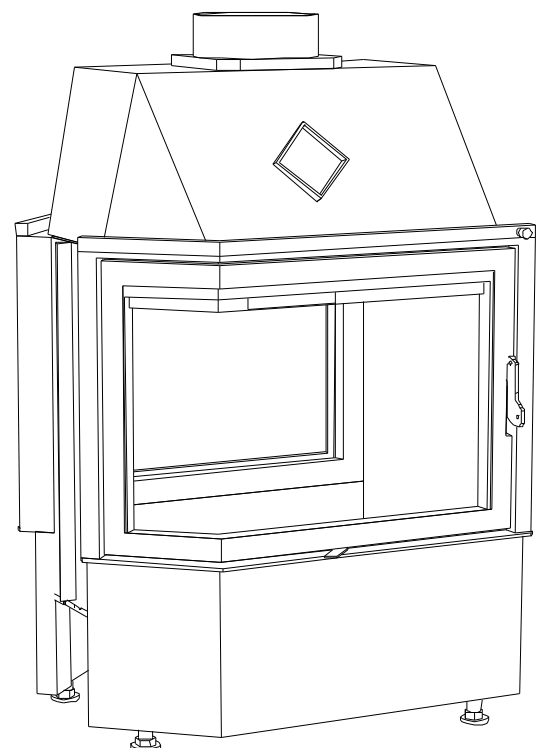
- Basic Model: **ĎUMBIER R135 O 780/500,560**
- Convection Casing (DP): **ĎUMBIER R135 O 780/500,560-DP**



- Vertical Opening Door (VD): **ĎUMBIER VD R135 O 850/480,540**

• **Technical Data:**

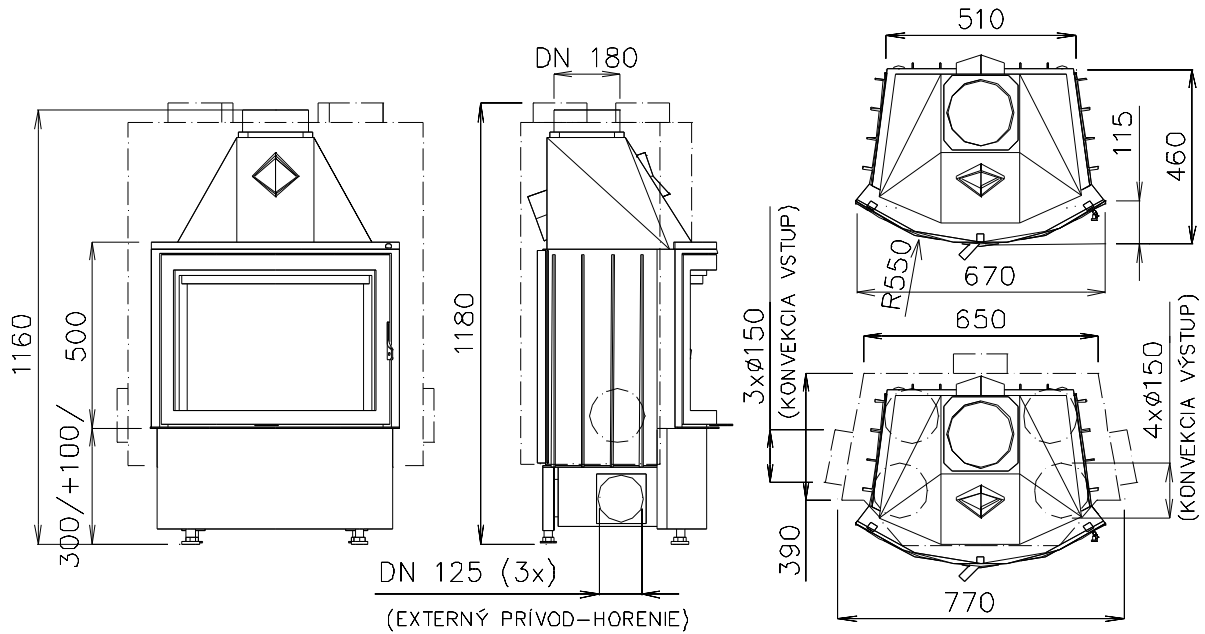
Type:	ĎUMBIER R135 O 780/500,560
Average heat output:	10 kW
Operating heat power:	3-12,5 kW
Flue gas mass flow:	20 g/s
Flue gas temperature:	320 °C
Emission of CO to 13 % O <sub>2</sub> :	0,10%
Pressure required:	12 Pa
Weight: D R135 O 780/500/560	185/195 kg
D R135 O VD 850/480/540	



**MÝTO R550 670/500**

Range 670

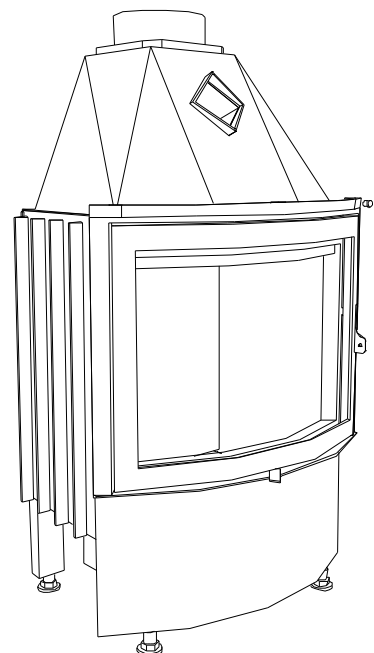
- Basic Model: **MÝTO R550 670/500**
- Convection Casing (DP): **MÝTO R550 670/500-DP**



- Vertical Opening Door (VD): **MÝTO R550 VD 740/480**

• **Technical Data:**

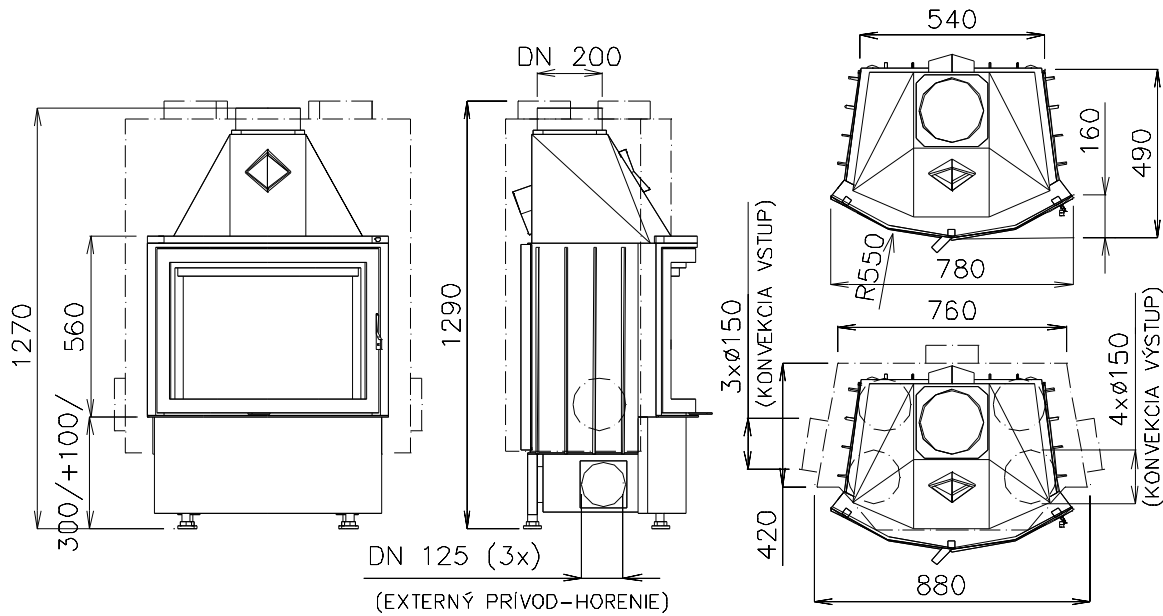
Type:	MÝTO R550 670/500
Average heat output:	9 kW
Operating heat power:	
Flue gas mass flow:	20 g/s
Flue gas temperature:	280 °C
Emission of CO to 13 % O <sub>2</sub> :	0,10%
Pressure required:	12 Pa
Weight: M R550 670/500	160 kg
M R550 VD 740/480	



**MÝTO R550 780/560**

Range 780

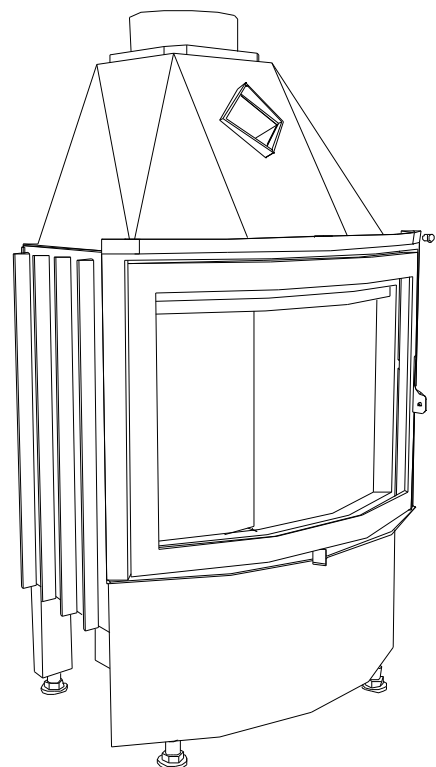
- Basic Model: **MÝTO R550 780/560**
- Convection Casing (DP): **MÝTO R550 780/560-DP**



- Vertical Opening Door (VD): **MÝTO R550 VD 850/540**

• **Technical Data:**

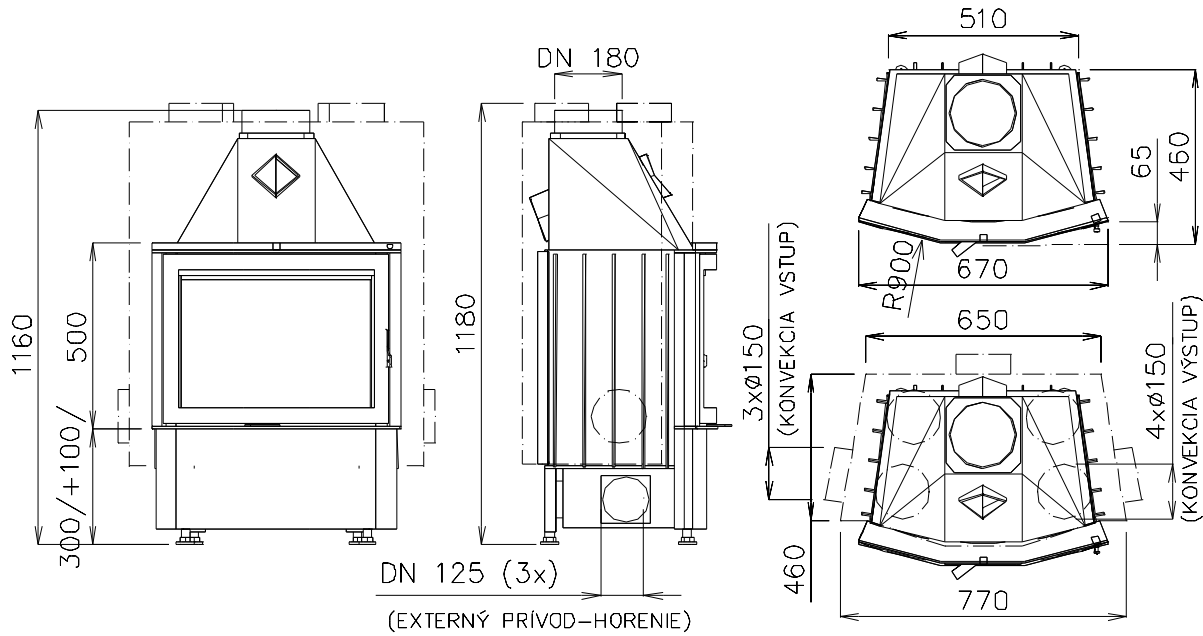
Type:	MÝTO R550 780/560
Average heat output:	10 kW
Operating heat power:	3-12,5 kW
Flue gas mass flow:	20 g/s
Flue gas temperature:	320 °C
Emission of CO to 13 % O <sub>2</sub> :	0,10%
Pressure required:	12 Pa
Weight:	M R550 780/560 185kg M R550 VD 850/540



**MÝTO R900 670/500**

Range 670

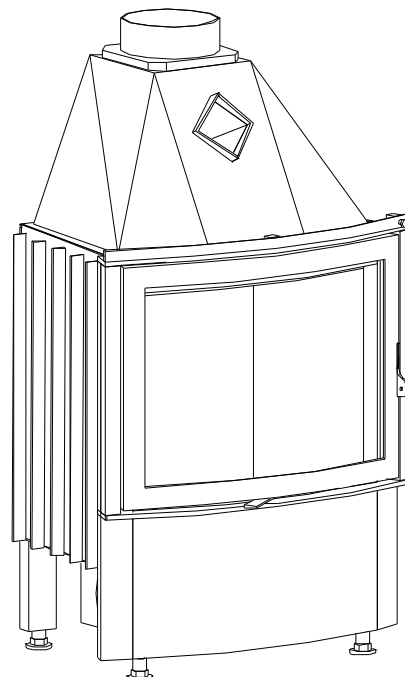
- Basic Model: **MÝTO R900 670/500**
- Convection Casing (DP): **MÝTO R900 670/500-DP**



- Vertical Opening Door (VD): **MÝTO R900 VD 740/480**

• **Technical Data:**

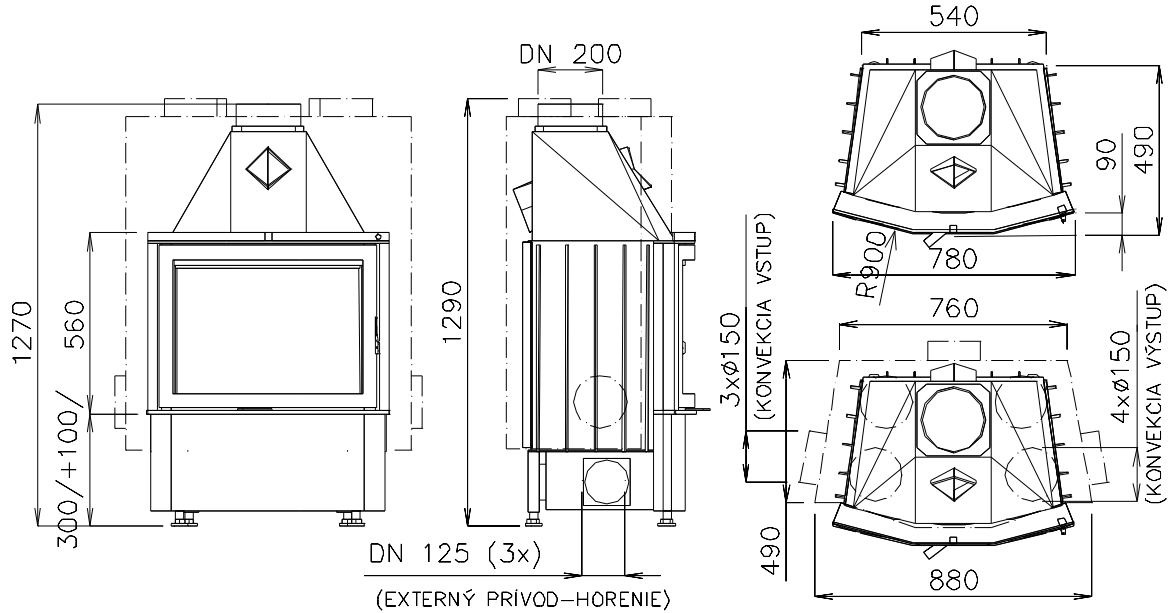
Type:	MÝTO R900 670/500
Average heat output:	9 kW
Operating heat power:	3-11 kW
Flue gas mass flow:	20 g/s
Flue gas temperature:	280 °C
Emission of CO to 13 % O <sub>2</sub> :	0,10%
Pressure required:	12 Pa
Weight: M R900 670/500	170 kg
M R900VD 740/480	



**MÝTO R900 780/560**

Range 780

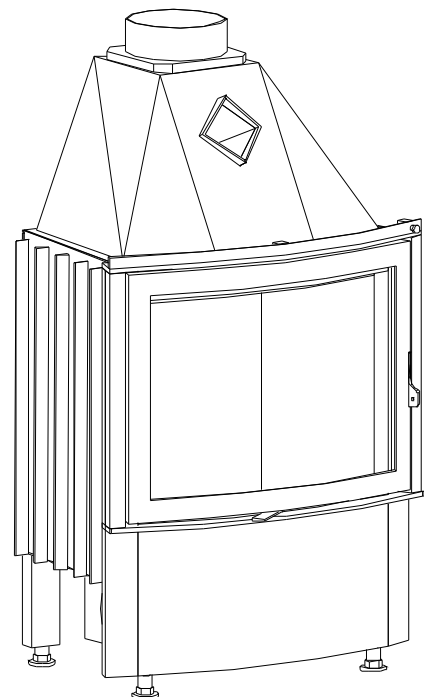
- Basic Model: **MÝTO R900 780/560**
- Convection Casing (DP): *MÝTO R900 780/560-DP*



- Vertical Opening Door (VD): *MÝTO R900 VD 850/540*

• **Technical Data:**

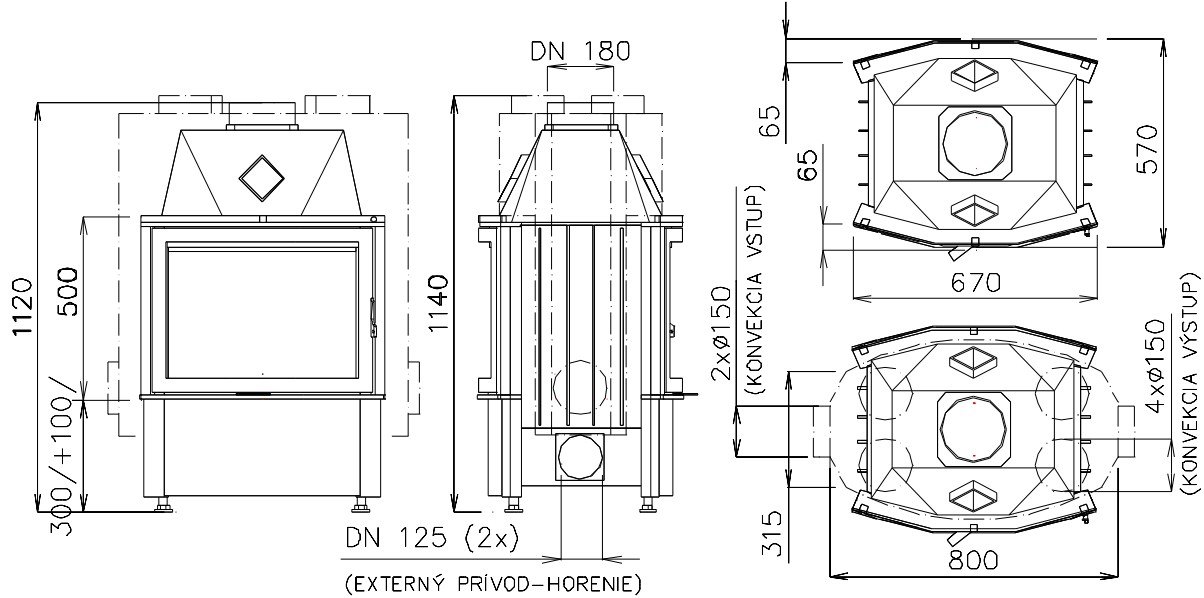
Type:	MÝTO R900 780/560
Average heat output:	10 kW
Operating heat power:	3-12,5 kW
Flue gas mass flow:	20 g/s
Flue gas temperature:	320 °C
Emission of CO to 13 % O2:	0,10%
Pressure required:	12 Pa
Weight: M R900 780/560	195 kg
M R900 VD 850/540	



**MÝTO R900 O 670/500**

Range 670

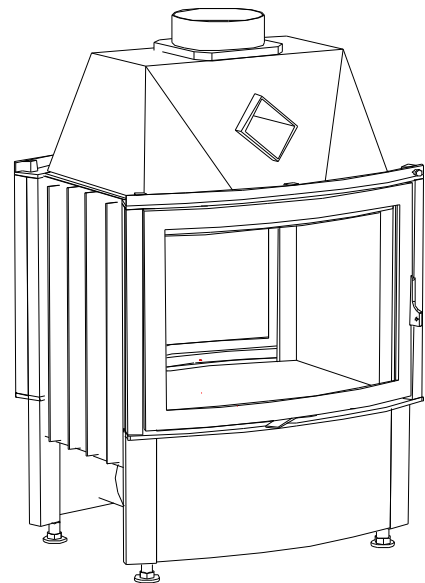
- Basic Model: **MÝTO R900 O 670/500**
- Convection Casing (DP): **MÝTO R900 O 670/500-DP**



- Vertical Opening Door (VD): **MÝTO R900 VD 740/480**

• **Technical Data:**

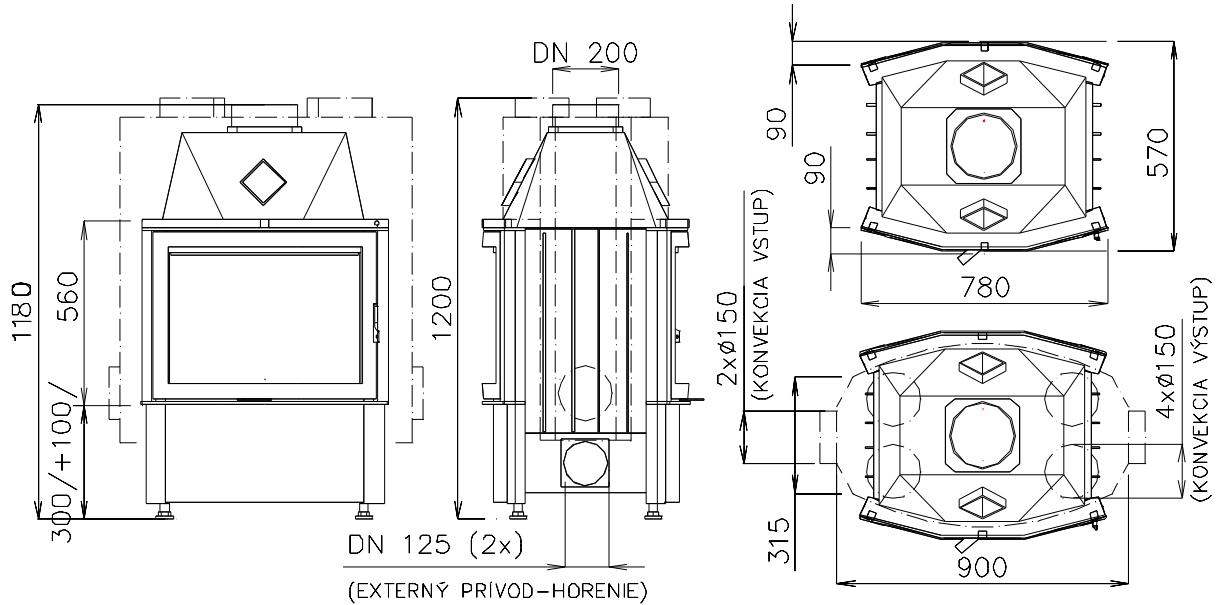
Type:	MÝTO R900 O 670/500
Average heat output:	9 kW
Operating heat power:	3-11 kW
Flue gas mass flow:	20 g/s
Flue gas temperature:	280 °C
Emission of CO to 13 % O <sub>2</sub> :	0,10%
Pressure required:	12 Pa
Weight:	M R900 O 670/500 205 kg
	M R900 O VD 740/480



**MÝTO R900 O 780/560**

Range 780

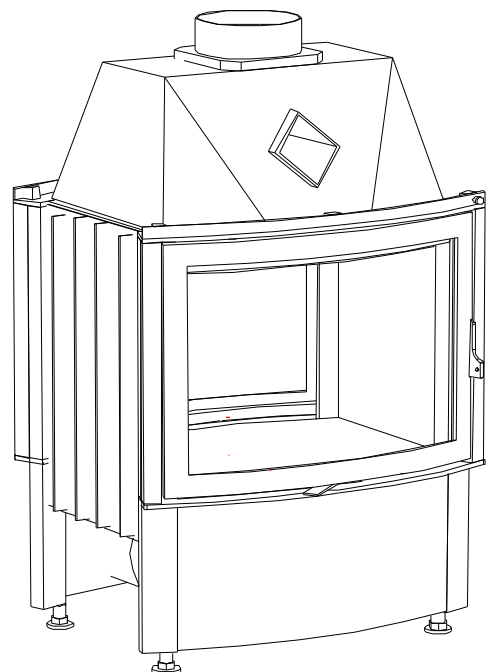
- Basic Model: **MÝTO R900 O 780/560**
- Convection Casing (DP): **MÝTO R900 O 780/560-DP**



- Vertical Opening Door (VD): **MÝTO R900 VD 850/540**

• **Technical Data:**

Type:	MÝTO R900 O 780/560
Average heat output:	10 kW
Operating heat power:	3-12,5 kW
Flue gas mass flow:	20 g/s
Flue gas temperature:	320 °C
Emission of CO to 13 % O <sub>2</sub> :	0,10%
Pressure required:	12 Pa
Weight: M R900 O 780/560	240 kg
M R900 O VD 850/540	

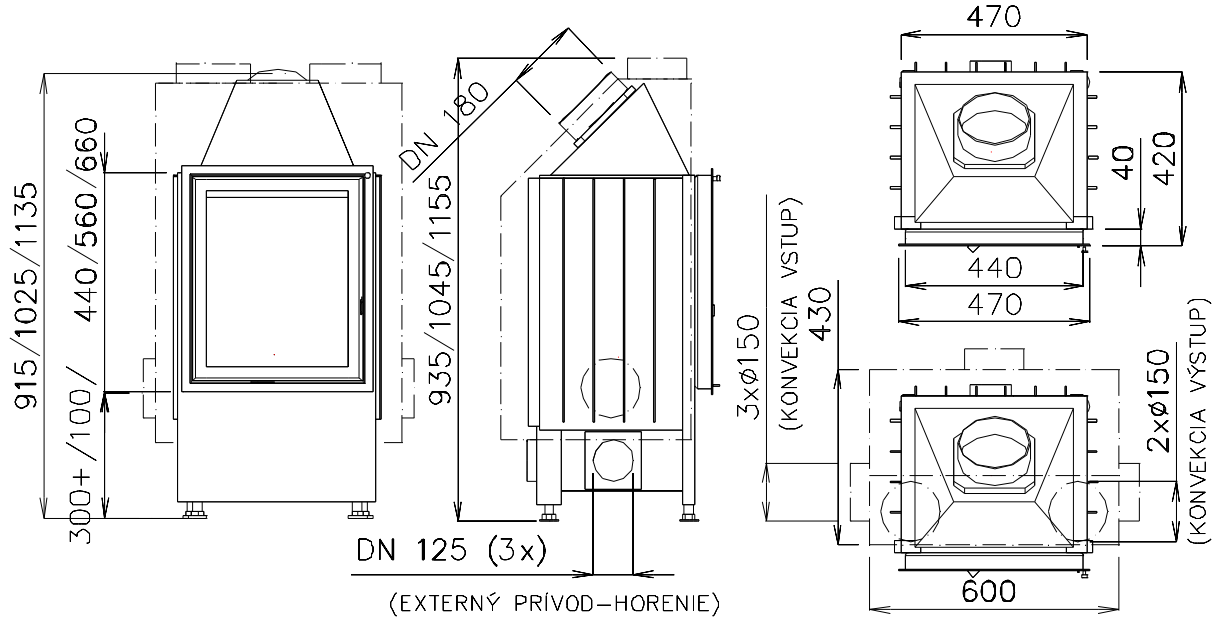




**BYSTRÁ 440/440,560,660**

Range 440

- Basic Model: **BYSTRÁ 440/440,560,660**
- Convection Casing (DP): *BYSTRÁ 440/440,560,660-DP*

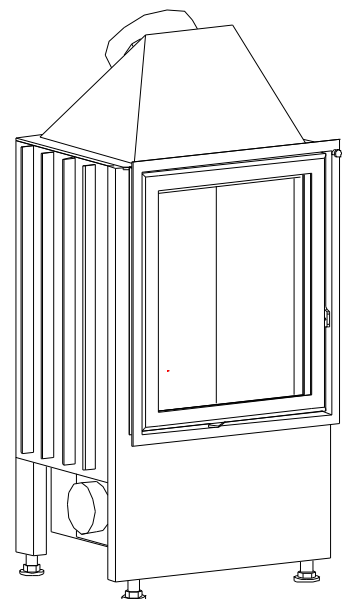


+

- Vertical Opening Door (VD): *BYSTRÁ VD 510/420,540,640*

• **Technical Data:**

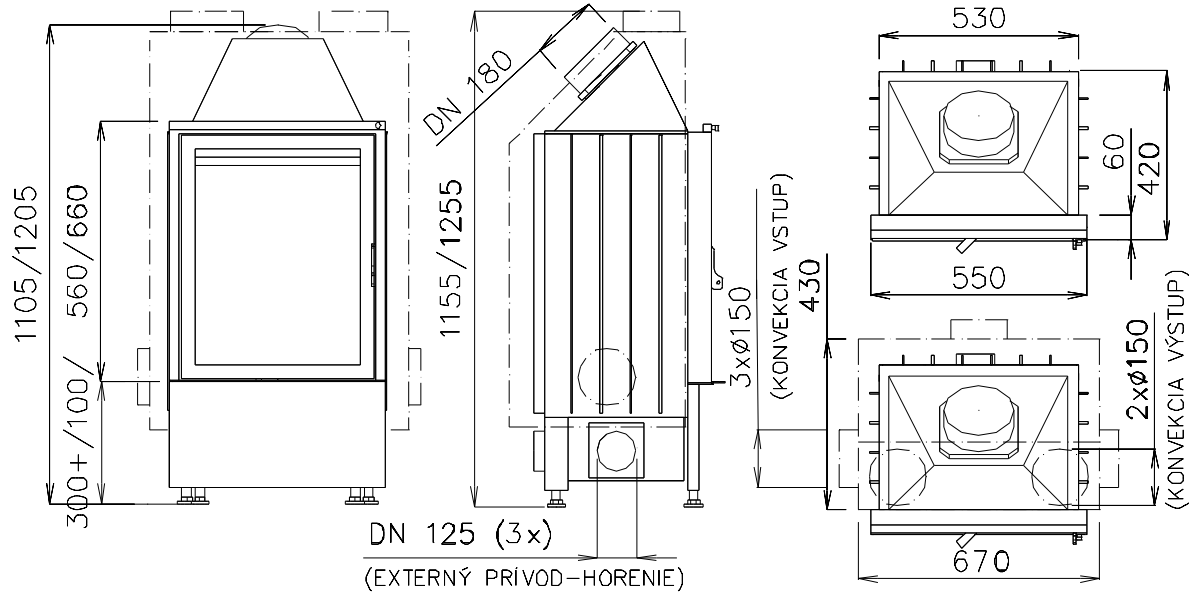
Type:	BYSTRÁ 440/440,560,6
Average heat output:	5 kW
Operating heat power:	1,5-6,5 kW
Flue gas mass flow:	5 g/s
Flue gas temperature:	205 °C
Emission of CO to 13 % O <sub>2</sub>	0,15%
Pressure required:	12 Pa
Weight: B 440/440/560/660	135/140/145kg
B VD 510/420/540/640	



**BYSTRÁ 550/560,660**

Range 550

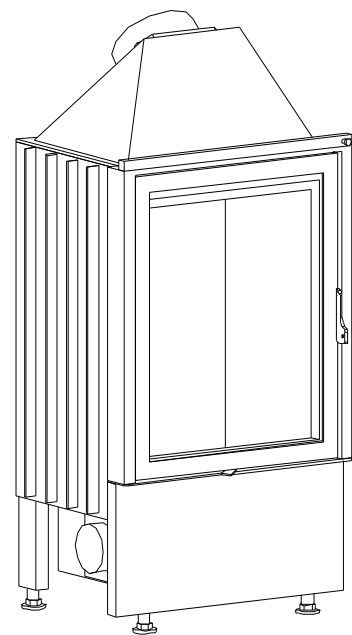
- Basic Model: **BYSTRÁ 550/560,660**
- Convection Casing (DP): *BYSTRÁ 550/560,660-DP*



- Vertical Opening Door (VD): *BYSTRÁ VD 620/540,640*

• **Technical Data:**

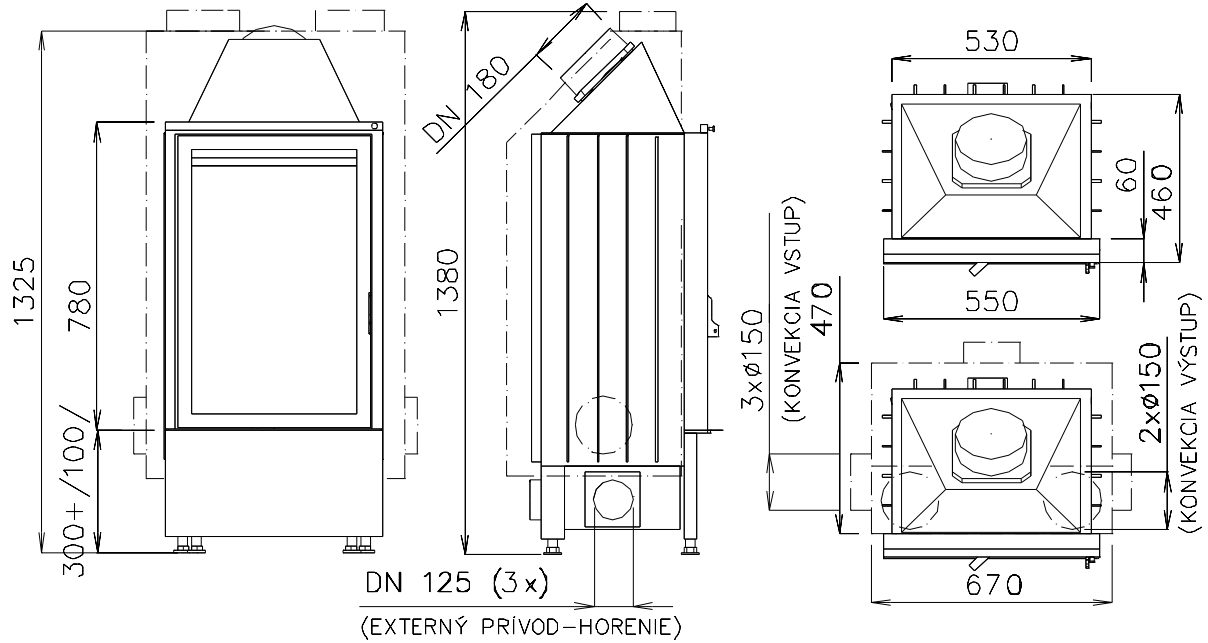
Type:	BYSTRÁ 550/560,660
Average heat output:	8 kW
Operating heat power:	2-10 kW
Flue gas mass flow:	12 g/s
Flue gas temperature:	240 °C
Emission of CO to 13 % O <sub>2</sub> :	0,12%
Pressure required:	12 Pa
Weight:	B 550/560/66165/180 kg B VD 620/540/640



**BYSTRÁ 550/780**

Range 550

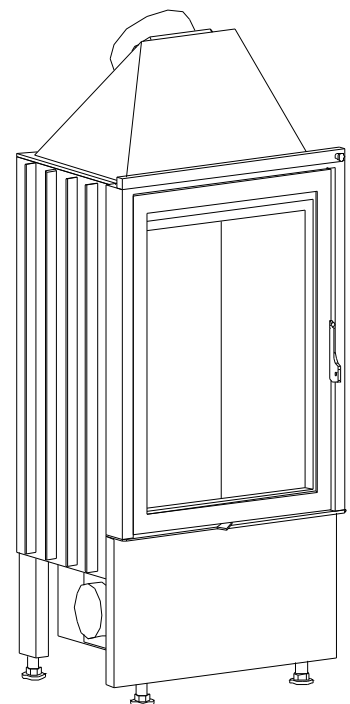
- Basic Model: **BYSTRÁ 550/780**
- Convection Casing (DP): *BYSTRÁ 550/780-DP*



- Vertical Opening Door (VD): *BYSTRÁ VD 620/760*

• **Technical Data:**

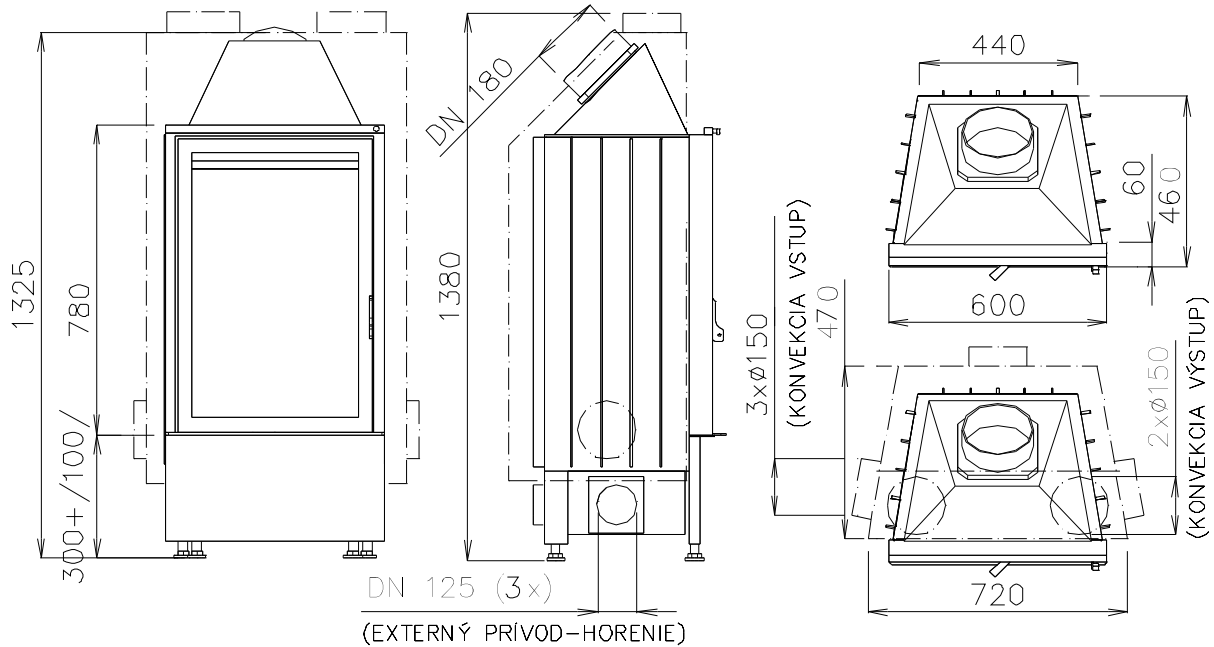
Type:	BYSTRÁ 550/780
Average heat output	8 kW
Operating heat power:	2-10 kW
Flue gas mass flow:	12 g/s
Flue gas temperature:	240 °C
Emission of CO to 13 % O <sub>2</sub> :	0,12%
Pressure required:	12 Pa
Weight: B 550/780	205kg
B VD 620/760	



**BYSTRÁ 600/780**

Range 600

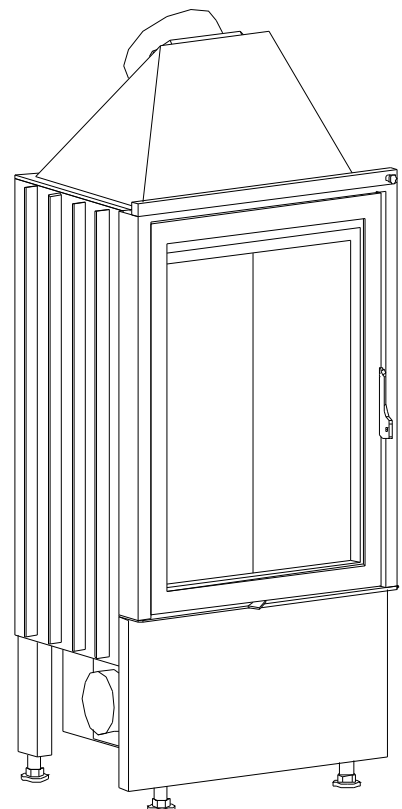
- Basic Model: **BYSTRÁ 600/780**
- Convection Casing (DP): *BYSTRÁ 600/780-DP*



- Vertical Opening Door (VD): *BYSTRÁ VD 670/760*

• **Technical Data:**

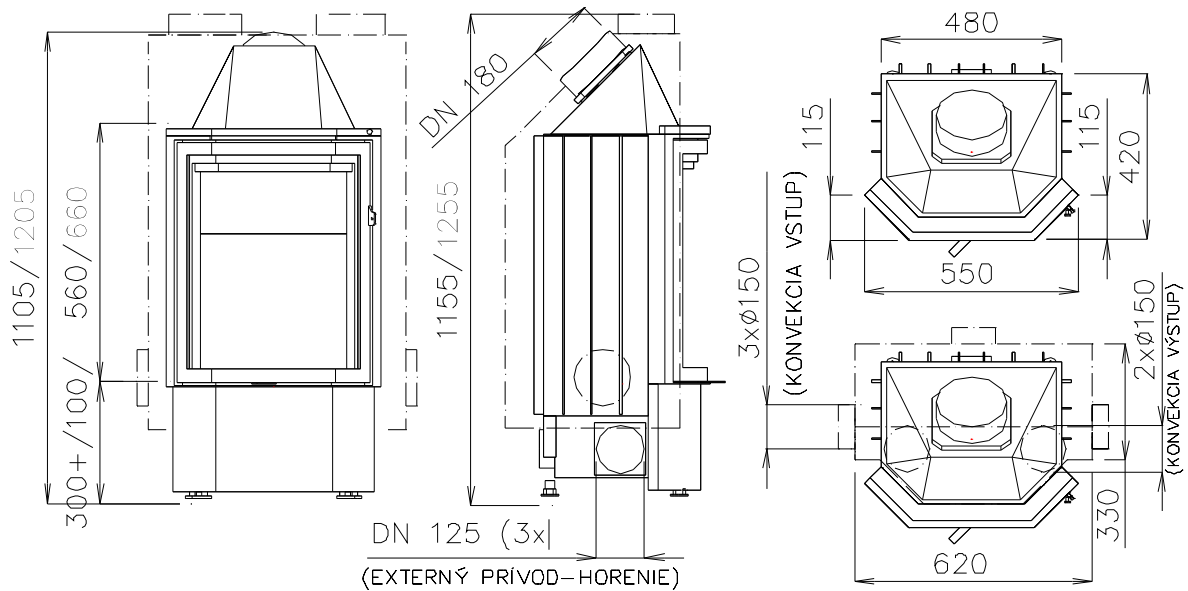
Type:	BYSTRÁ 600/780
Average heat output:	8,5 kW
Operating heat power:	2,5-10,5 kW
Flue gas mass flow:	15 g/s
Flue gas temperature:	250 °C
Emission of CO to 13 % O <sub>2</sub> :	0,12%
Pressure required:	12 Pa
Weight:	B 600/780 230 kg
	B VD 670/760



**BYSTRÁ PRIZMA 550/560,660**

Range 550

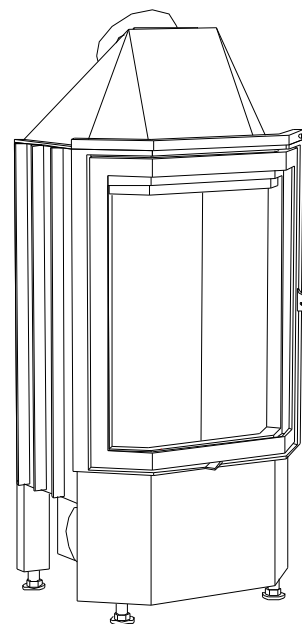
- Basic Model: **BYSTRÁ PRIZMA 550/560,660**
- Convection Casing (DP): *BYSTRÁ PRIZMA 550/560,660-DP*



- Vertical Opening Door (VD): *BYSTRÁ PRIZMA VD 620/540,640*

• **Technical Data:**

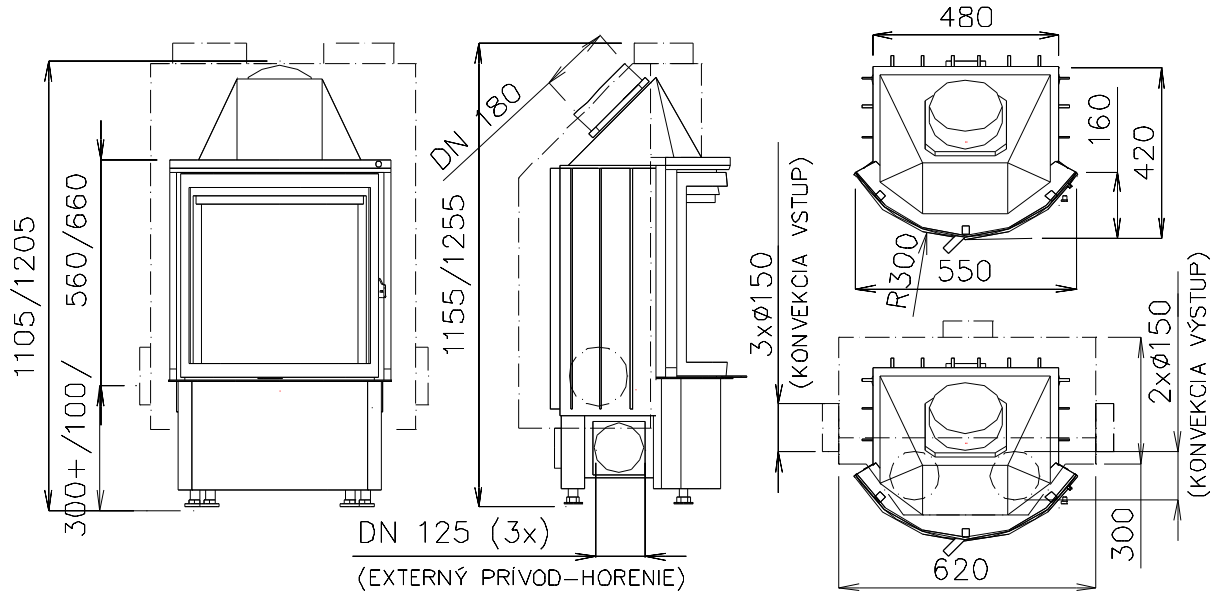
Type:	BYSTRÁ PRIZMA 550/560,660
Average heat output:	8 kW
Operating heat power:	2-10 kW
Flue gas mass flow:	12 g/s
Flue gas temperature:	240 °C
Emission of CO to 13 % O <sub>2</sub> :	0,12%
Pressure required:	12 Pa
Weight: B PRIZMA 550/560/660	150/160 kg
B PRIZMA VD 620/540/640	



**BYSTRÁ POLAR R 300 550/560,660**

Range 550

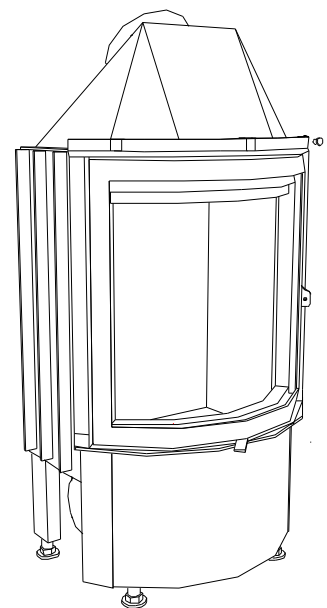
- Basic Model: **BYSTRÁ POLAR R 300 550/560,660**
- Convection Casing (DP): *BYSTRÁ POLAR R 300 550/560,660-DP*



- Vertical Opening Door (VD): *BYSTRÁ POLAR R 300 VD 620/540,640*

• **Technical Data:**

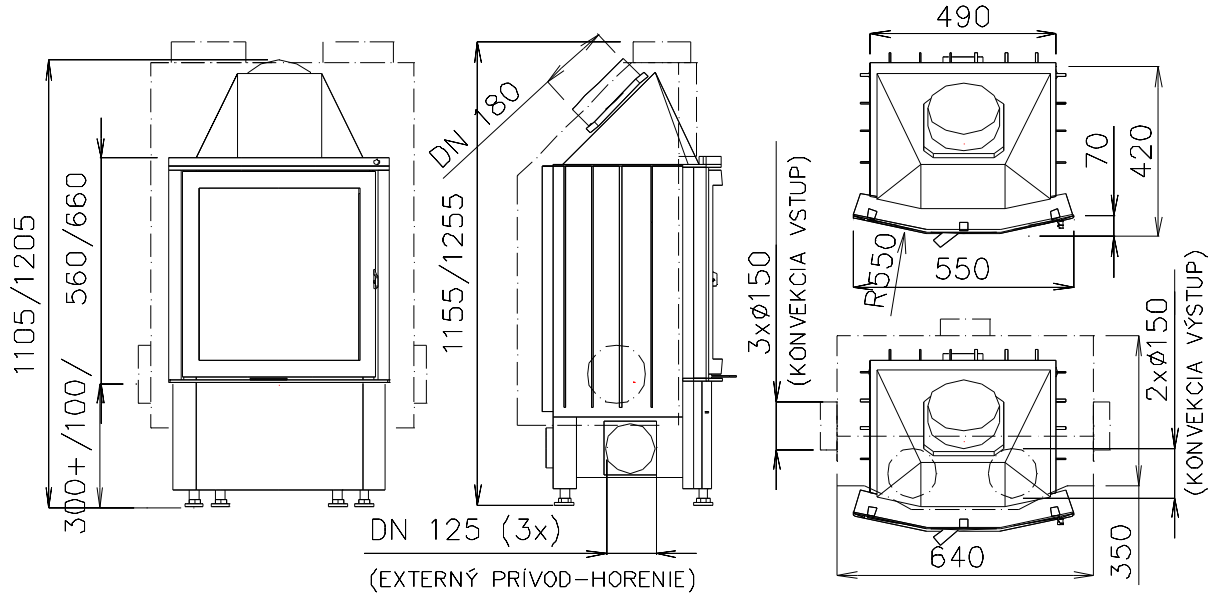
Type:	BYSTRÁ POLAR R 300 550/560,660
Average heat output:	8 kW
Operating heat power:	2-10 kW
Flue gas mass flow:	12 g/s
Flue gas temperature:	240 °C
Emission of CO to 13 % O <sub>2</sub> :	0,12%
Pressure required:	12 Pa
Weight:	B POLAR R 300 550/560/660 140/150 kg
	B POLAR R 300 VD 620/540/64



**BYSTRÁ POLAR R 550 550/560,660**

Range 550

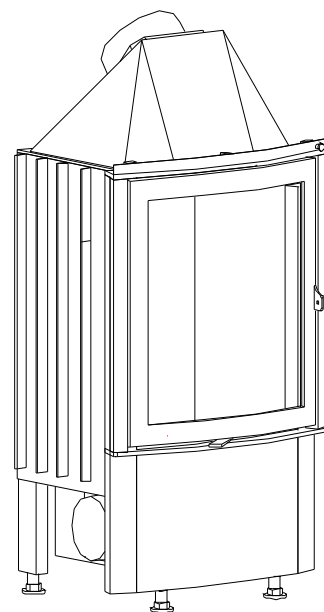
- Basic Model: **BYSTRÁ POLAR R 550 550/560,660**
- Convection Casing (DP): *BYSTRÁ POLAR R 550 550/560,660-DP*



- Vertical Opening Door (VD): *BYSTRÁ POLAR R 550 VD 620/540,640*

• **Technical Data:**

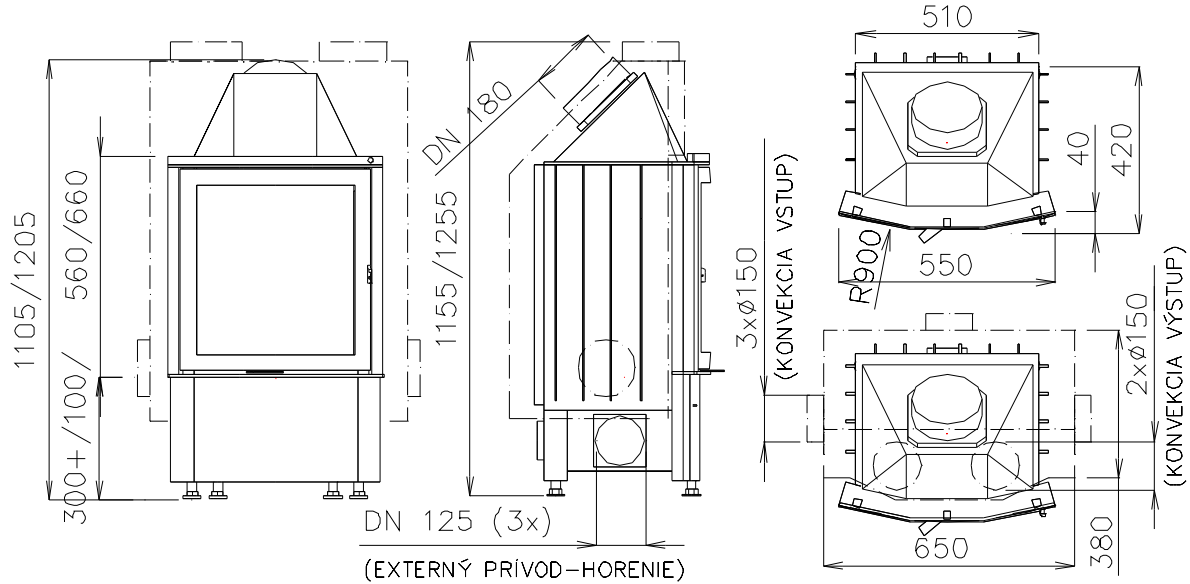
Type:	BYSTRÁ POLAR R 550 550/560,660
Average heat output:	8 kW
Operating heat power:	2-10 kW
Flue gas mass flow:	12 g/s
Flue gas temperature:	240 °C
Emission of CO to 13 % O <sub>2</sub> :	0,12%
Pressure required:	12 Pa
Weight:	B POLAR R 550 550/560/660 150/165 kg B POLAR R 550 VD 620/540/640



**BYSTRÁ POLAR R 900 550/560,660**

Range 550

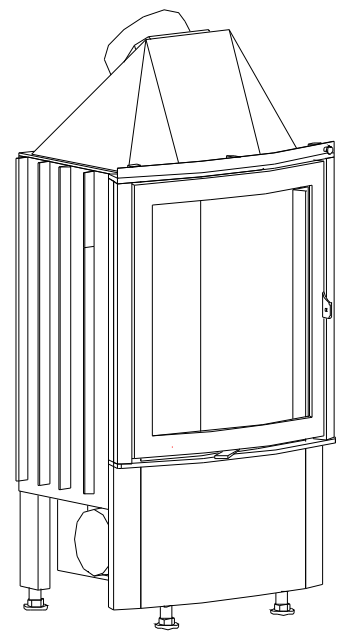
- Basic Model: **BYSTRÁ POLAR R 900 550/560,660**
- Convection Casing (DP): *BYSTRÁ POLAR R 900 550/560,660-DP*



- Vertical Opening Door (VD): *BYSTRÁ POLAR R 900 VD 620/540,640*

• **Technical Data:**

Type:	BYSTRÁ POLAR R 900 550/560,660
Average heat output:	8 kW
Operating heat power:	2-10 kW
Flue gas mass flow:	12 g/s
Flue gas temperature:	240 °C
Emission of CO to 13 % O <sub>2</sub> :	0,12%
Pressure required:	12 Pa
Weight:	B POLAR R 900 550/560/660 160/175 kg
	B POLAR R 900 VD 620/540/640

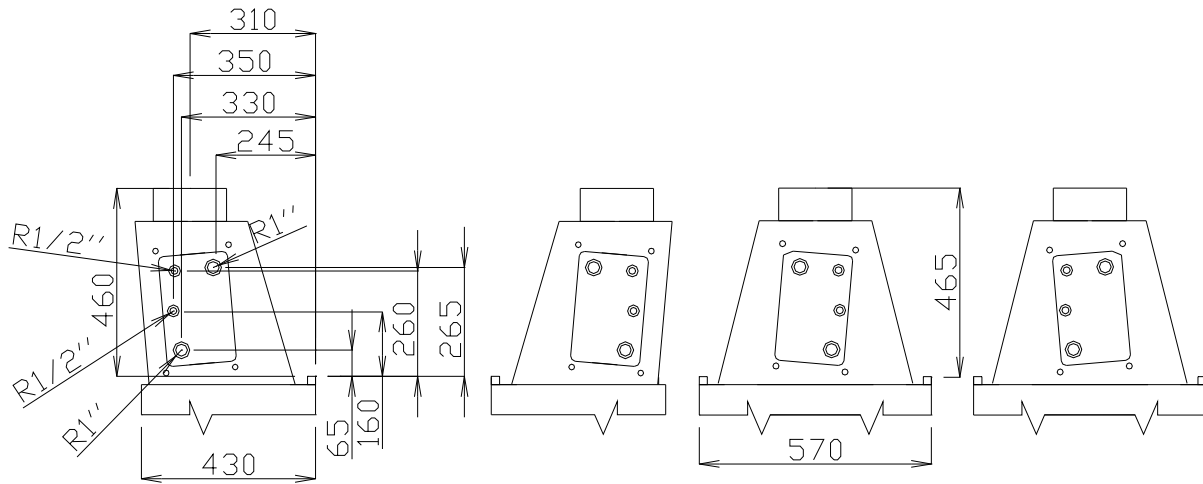




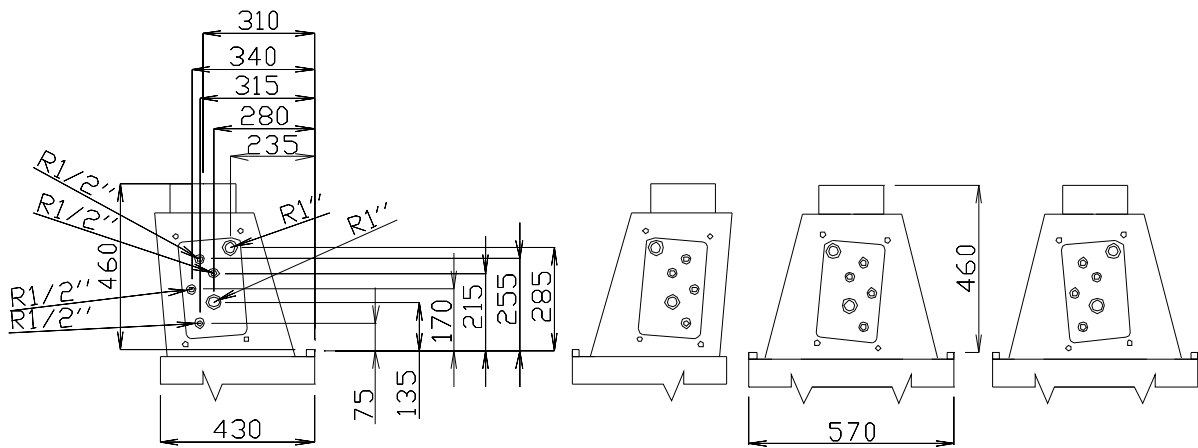
**VODNÍK**

Technical Sheet  
Range 550, 600,670,780

- Basic Model: **XXXXXXXX + TV L/P**



- Cooler: **XXXXXXXX + TV L/P (left / right) with cooler**



- **Technical Data:**

Type: XXXXXXXXX + TV L/P (left / right)

Range:

Water volume:

Average heat output – without cooler:

Average heat output – with cooler:

Weight of heat exchanger

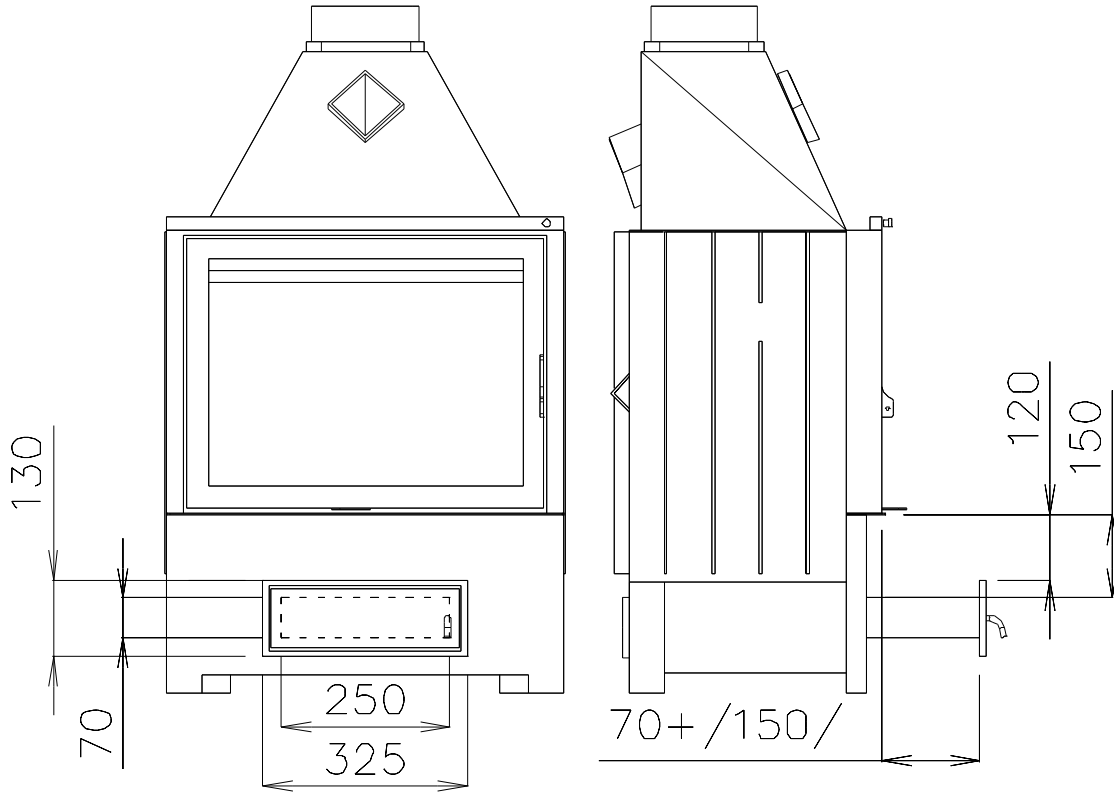
	550	600	670	780
Water volume:	8 l	8 l	11,5l	14l
Average heat output – without cooler:	5 kW	5 kW	6 kW	6 kW
Average heat output – with cooler:	4 kW	4 kW	5 kW	5 kW
Weight of heat exchanger	30 kg	35 kg	40 kg	45 kg

\*XXXXXXXX - Basic Model

**EXTERNAL ASHTRAY**

Range 550, 600,670,780

- Basic Model: **XXXXXXXX VP**

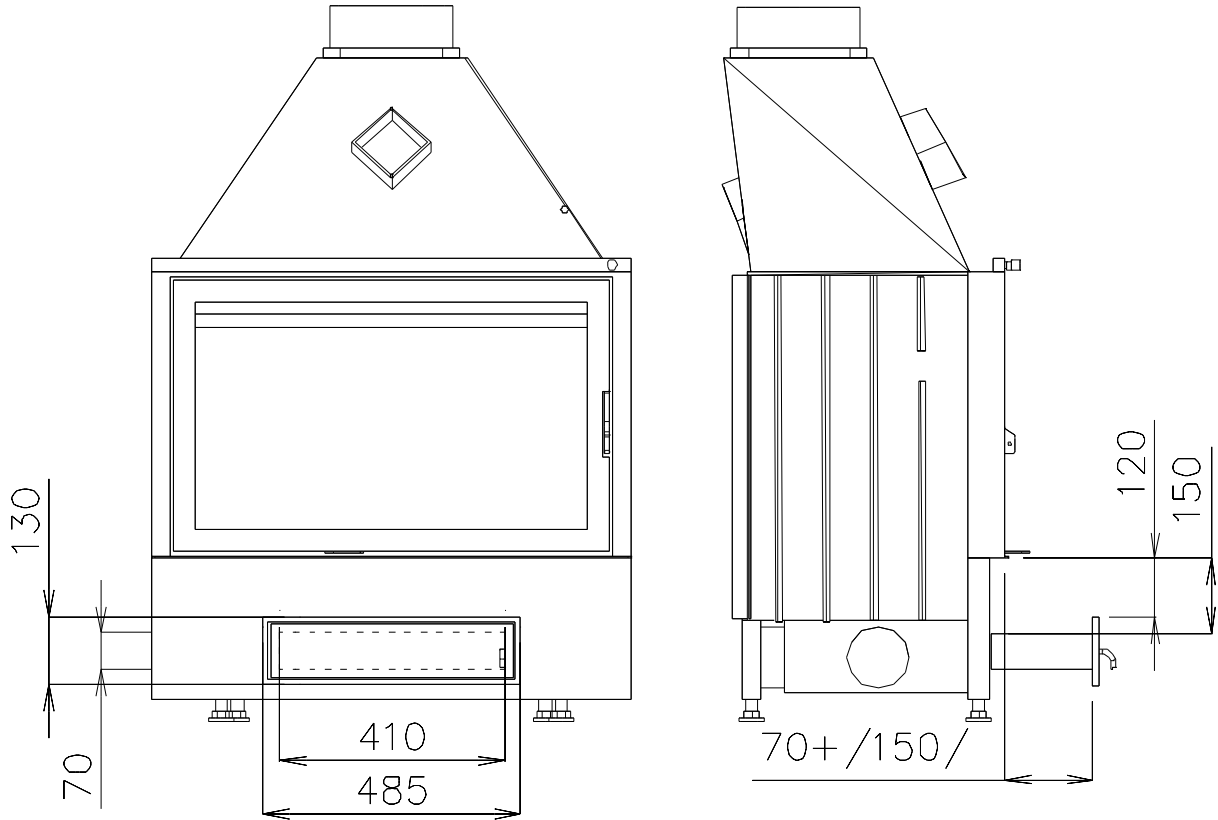


- Technical Data:  
Type: XXXXXXXX VP  
Weight : 8 kg

\*XXXXXXXX - Basic Model

**EXTERNAL ASHTRAY**

- Basic Model: **XXXXXXXX VP**



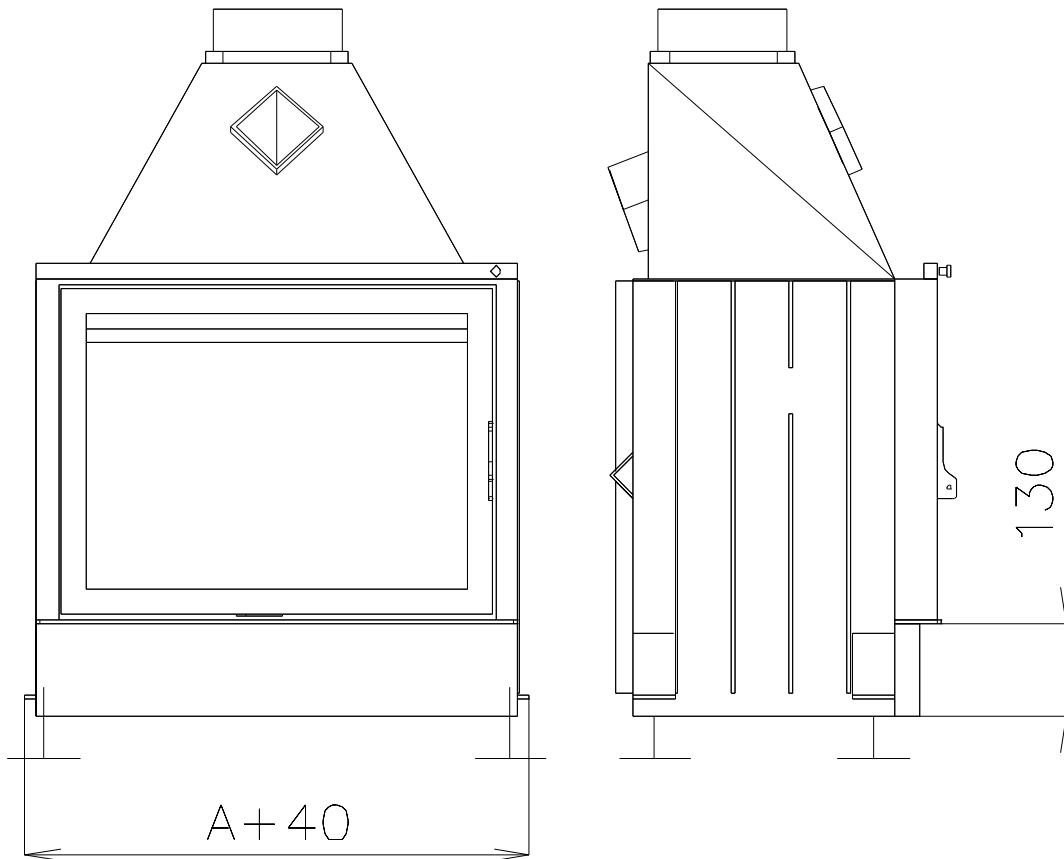
- **Technical Data:**  
Type: XXXXXXXX VP  
Weight: 12 kg

\*XXXXXXXX - Basic Model

**LOWER HEARTH**

Range 550,600,670,780,900,1000

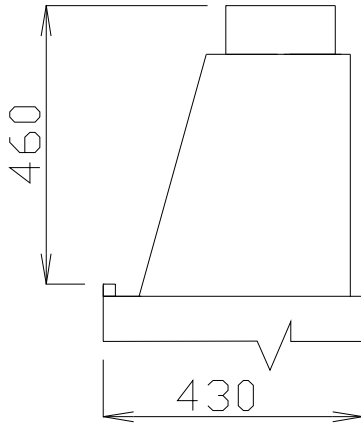
- Basic Model: **XXXXXXXX ZO**



- Technical Data:  
Type: XXXXXXXX ZO  
Nin – grate burning.

\*XXXXXXXX - Basic Model

- Basic Model: **XXXXXXXX STABIL**



- Technical Data:  
Type: XXXXXXXX STABIL

Average heat output: relating to the range, output of basic model + 20%

\*XXXXXXXX - Basic Model , CHOPOK only

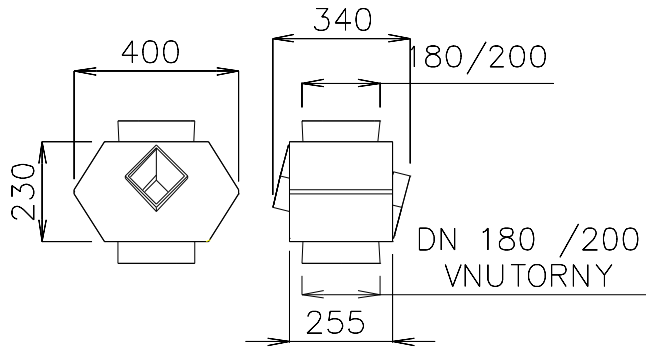
---

**HEAT EXCHANGER NADSTAVBA**

---

Technical Sheet  
Range 180,200

- Basic Model: **NADSTAVA 180,200**



- Technical Data:  
Type: NADSTAVBA 180/200  
Weight: 18 kg

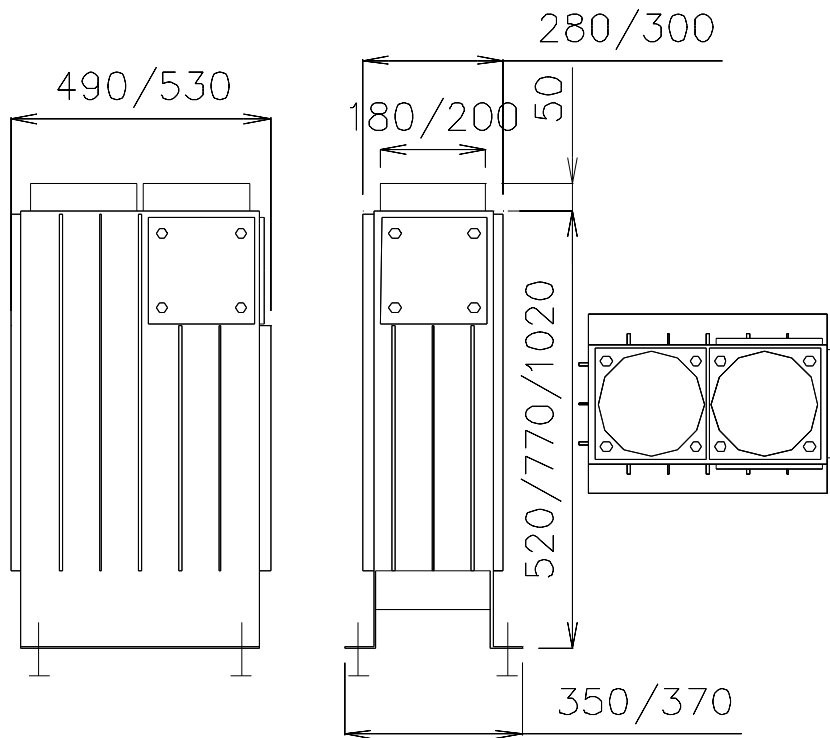
---

**HEAT EXCHANGER VERTIKAL**

---

Technical Sheet  
Range 180,200

- Basic Model: **VERTIKAL 50,75,100**



- Technical Data:  
Type: VERTIKA 50,75,100  
Weight : 40/56/72 kg

