

Installation and Operating Instructions

Wood Fireplace



Varia M60h / M80h / M100h · Varia Bh / B-FDh · Varia 2L-80h / 2R-80h ·
Varia 2L-100h / 2R-100h · Arte Bh · Arte 3RL60h / 3RL80h / 3RL100h ·
Arte U-50h-2016 / U-70h-2016 / U-90h-2016

Spartherm Feuerungstechnik GmbH
Maschweg 38 · D-49324 Melle
Phone +49 (0) 5422 94 41-0
Fax +49 (0) 5422 9441-14
www.spartherm.com

Keep this instruction for future use.

SAFETY INFORMATION



WARNING

IF THE INFORMATION IN THESE INSTRUCTIONS IS NOT FOLLOWED EXACTLY, A FIRE OR EXPLOSION MAY RESULT CAUSING PROPERTY DAMAGE, PERSONAL INJURY OR DEATH. IMPROPER INSTALLATION, ADJUSTMENT, ALTERATION, SERVICE OR MAINTENANCE CAN CAUSE INJURY OR PROPERTY DAMAGE, BODILY INJURY OR EVEN DEATH. PLEASE READ ENTIRE MANUAL BEFORE YOU INSTALL AND USE YOUR APPLIANCE. THIS APPLIANCE HAS NOT BEEN TESTED WITH AN UNVENTED GAS LOG SET. TO REDUCE RISK OF FIRE OR INJURY, DO NOT INSTALL AN UNVENTED GAS LOG SET INTO THE APPLIANCE.

- This appliance can be very hot when burning.
- Combustible materials such as firewood, wet clothing, etc. placed too close can catch fire.
- Children and pets must be kept from touching the appliance when it is hot.
- The chimney must be sound and free of cracks. Before installing this unit, contact the local building or fire authority and follow their guidelines.
- Operate only with the door tightly closed.
- Do not use an elevated grate or otherwise raise the fire.
- At least 14 square inches (90,3 square centimeters) of outside air must be admitted to the room or directly to the unit through a 4" (101,6mm) diameter pipe. Failure to provide this may starve other fuel burning appliances from an adequate air supply.
- Make sure not to create negative pressure in the installation room, e.g. by means of an exhaust fan or similar mechanical blower, as this could affect the combustion of the fireplace or increase the possibility of smoke leakage.
- This appliance is designed to burn natural wood only. Higher efficiencies and lower emissions generally result when burning air dried

- seasoned hardwoods, as compared to softwoods or to green or freshly cut hardwoods.
- Do not burn green or freshly cut wood.
- Do not start a fire with chemicals or fluids such as gasoline, engine oil, etc.
- Do not burn treated wood, coal, charcoal, colored paper, cardboard, solvents or garbage.
- Do not let the appliance become hot enough for any part to glow red.
- KEEP THE STOVE TOP TEMPERATURE BELOW 700°F (371°C). Attempts to achieve heat output rates that exceed design specifications can result in steel distortion and damage.



WARNING

**HOT GLASS WILL CAUSE BURNS.
DO NOT TOUCH GLASS UNTIL COOLED.
NEVER ALLOW CHILDREN TO TOUCH GLASS.**

NOTICE

DO NOT DISCARD THIS MANUAL

- IMPORTANT OPERATING AND MAINTENANCE INSTRUCTIONS INCLUDED.
- READ, UNDERSTAND AND FOLLOW THESE INSTRUCTIONS FOR SAFE INSTALLATION AND OPERATION.
- LEAVE THIS MANUAL WITH PARTY RESPONSIBLE FOR USE AND OPERATION.

TABLE OF CONTENTS

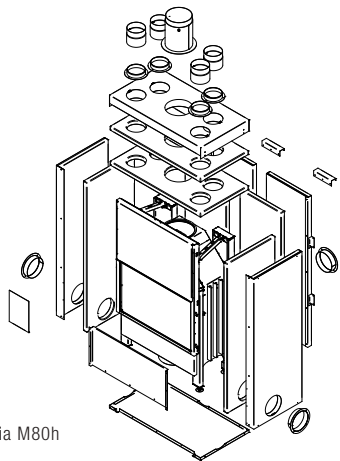
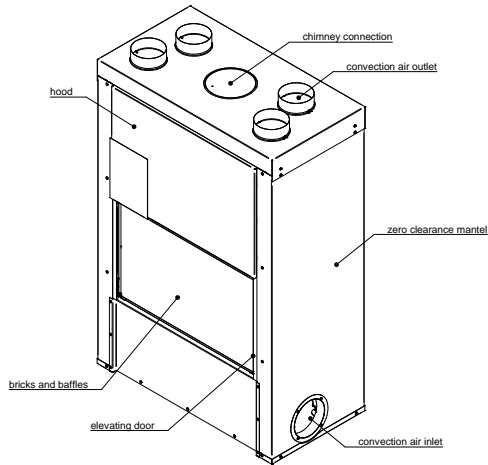
	4.1.3. Double sided	23	5.1.1. Varia M-60h	50	7.5.2. Two sided	72	
	4.1.4. Three sided	23	5.1.2. Varia M-80h	50	7.5.3. Double sided front	73	
	4.2.1. Varia M-60h	24	5.1.3. Varia M-100h	51	7.5.4. Double sided back	74	
1. Installation overview	5	4.2.2. Varia M-80h	51	5.1.4. Varia Bh	51	7.5.5 Three sided	75
		4.2.3. Varia M-100h	52	5.1.5. Arte Bh	52	7.6. Care of glass	76
2. Introduction	5	4.2.4. Varia Bh	52	5.1.6. Varia 2L-80h	52	7.7. Cleaning the glass ceramic sheet	77
		4.2.5. Arte Bh	53	5.1.7. Varia 2R-80h	53	7.7.1. Flat door	77
2.1 Example of identification plate	7	4.2.6. Varia 2L-80h	53	5.1.8. Varia 2L-100h	53	7.7.2. Angled door	77
		4.2.7. Varia 2R-80h	54	5.1.9. Varia 2R-100h	54	7.8. Care of plated parts	78
		4.2.8. Varia 2L-100h	54	5.1.10. Varia B-FDh	54		
2.2 Dimensions	8	4.2.9. Varia 2R-100h	55	5.1.11. Arte 3RL-60h	55	8. Replacements	78
2.2.1 Dimensions single faced	8	4.2.10. Varia B-FDh front	55	5.1.12. Arte 3RL-80h	55	8.1. Varia M-60h	79
2.2.2. Dimensions single faced	9	4.2.11. Varia B-FDh back	56	5.1.13. Arte 3RL-100h	56	8.2. Varia M-80h	80
2.2.3. Dimensions two sided	10	4.2.12. Arte 3RL-60h	56	5.1.14. Arte U-50h-2016	56	8.3. Varia M-100h	81
2.2.4. Dimensions double sided	11	4.2.13. Arte 3RL-80h	57	5.1.15. Arte U-70h-2016	57	8.4. Varia Bh	82
2.2.5 Dimensions three sided	12	4.2.14. Arte 3RL-100h	58	5.1.16. Arte U-90h-2016	58	8.5. Arte Bh	83
2.2.6. Dimensions three sided	13	4.2.15. Arte U-50h-2016	59	5.2. Door removal / installation	59	8.6. Varia 2L-80h	84
2.3. Specifications	14	4.2.16. Arte U-70h-2016	64	6. Operation	64	8.7. Varia 2R-80h	85
2.4. General instructions	14	4.2.17. Arte U-90h-2016	66	6.1. Fire extinguishers / smoke detectors	66	8.8. Varia 2L-100h	86
2.6. Air system	15	4.3. Chimney installation	66	6.2. Fuel	66	8.9. Varia 2R-100h	87
2.7. Door opening	17	4.3.1. Listed chimneys	67	6.3. Lighting a fire	67	8.10. Varia B-FDh	88
2.7.1. Flat and angled door	17	4.3.2. Chimney installation notes	67	6.3.1. Flash fire	67	8.11. Arte 3RL-60h	89
2.7.2. Double angled door	17	4.3.3. Chimney installation instructions	67	6.3.2. Extended fire	67	8.12. Arte 3RL-80h	90
		4.3.5. List of mandatory components	68	6.3.3. Smoking	68	8.13. Arte 3RL-100h	91
3. Installation planning	18	4.4. Masonry	71	7. Maintenance	71	8.14. Arte U-50h-2016	92
3.1. Minimum clearances to combustibles	18	4.4.1. Typical existing masonry	71	7.1. Ash removal procedures	71	8.15. Arte U-70h-2016	93
3.2. Placement	20	4.4.2. Factory built fireplace	71	7.2. Creosote formation and removal	71	8.16. Arte U-90h-2016	94
3.3. Flanges and anchor plate	20	4.5. Convection	71	7.3. Runaway or chimney fire	71		
3.4. Front chase	21	4.5.1. Minimum clearances to combustibles for convection air grills	71	7.4. Chimney cleaning	71	9. Troubleshooting	95
		4.6. Heat distribution systems	71	7.5. Glass replacement	71	10. General warranty terms and conditions	95
4. Installation	22	5. Finishing	71	7.5.1 Single faced	71	10.1. General information	95
4.1. Hearth extension	22	5.1. Bricks and baffels installation	71			10.2. Warranty period	95
4.1.2. Two sided	22						

TABLE OF CONTENTS

- 10.3. Requirement of effectiveness
for the warranty 96
- 10.4. Warranty exclusions 96
- 10.5. Note 96
- 10.6. For your information 97
- 10.6. For your information 98

- 11. Service history 99

1. INSTALLATION OVERVIEW



Example shown: Varia M80h

2. INTRODUCTION




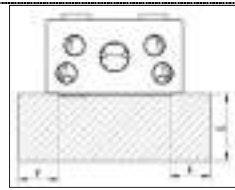

The Spartherm fireplaces have been tested and certified by CSA based on the following standards: UL 127 / ULC S-610-M87. EPA : exempt from current legislation. Before installing your Spartherm fireplace, please contact the local building authorities to obtain the necessary permits and information about applicable regulations. Please read this manual carefully before installing or using your fireplace. Incorrect installation may result in fire. To reduce the risk of fire, follow the installation instructions. Failure to do so may result in property damage, bodily injury or even death. Keep this manual handy so you can refer to it whenever necessary.

! WARNING

- THIS APPLIANCE IS HOT WHEN OPERATED AND CAN CAUSE SEVERE BURNS IF CONTACTED.
- ANY CHANGES OR ALTERATIONS TO THIS APPLIANCE OR ITS CONTROLS CAN BE DANGEROUS AND IS PROHIBITED:
- Do not operate appliance before reading and understanding operating instructions. Failure to operate appliance according to operating instructions could cause fire or injury.
- Before installing this appliance, contact the local building or fire authority and follow their guidelines.
- This appliance must be installed by a qualified installer.
- Do not use a fireplace insert or other product not specified for use with this fireplace.
- Risk of burns. The appliance should be turned off and cooled before servicing.
- Do not operate without fully assembling all components.
- Risk of cuts and abrasions. Wear protective gloves and safety glasses during installation. Sheet metal edges may be sharp.
- Children and adults should be alerted to the hazards of high surface

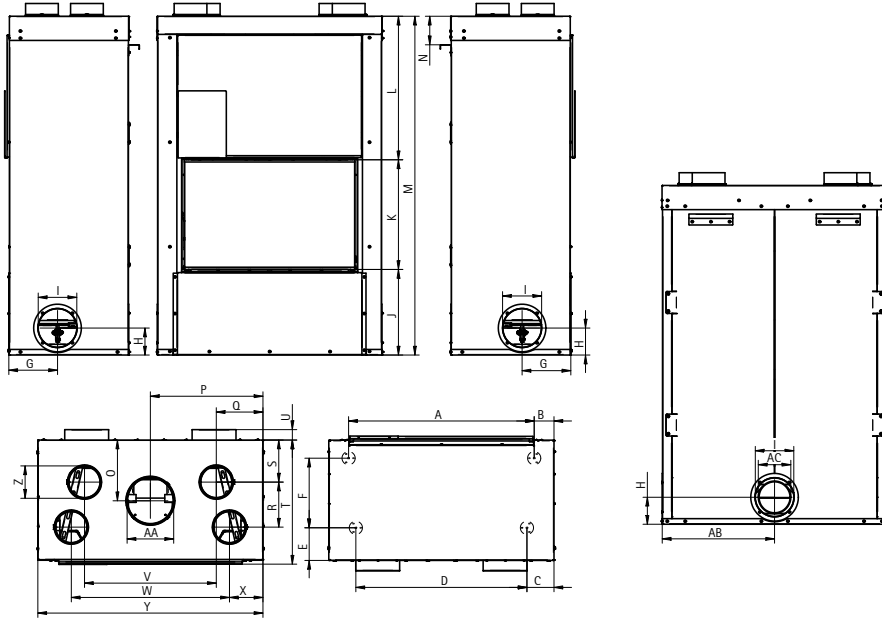
- temperature and should stay away to avoid burns or clothing ignition.
- Young children should be carefully supervised when they are in the same room as the appliance. Toddlers, young children and others may be susceptible to accidental contact burns. A physical barrier is recommended if there are at risk individuals in the house. To restrict access to an appliance or stove, install an adjustable safety gate to keep toddlers, young children and other at risk individuals out of the room and away from hot surfaces.
- Clothing or other flammable material must not be placed on or near the appliance. Objects placed in front of the appliance must be kept a minimum of 48" (1220 mm) away from the front face of the appliance.
- Due to high temperatures, the appliance should be located out of traffic and away from furniture and draperies.
- Ensure you have incorporated adequate safety measure to protect infants/toddlers from touching hot surfaces.
- Even after the appliance is out, the glass and/or screen will remain hot for an extended period of time.
- Check with your local hearth specialty dealer for safety screens and hearth guards to protect children from hot surfaces. These screens and guards must be fastened to the floor.
- Any safety screen or guard removed for servicing must be replaced prior to operating the appliance.
- Under no circumstances should this appliance be modified.
- This appliance must not be connected to a chimney flue pipe servicing a separate solid fuel burning appliance.
- Do not operate the appliance with glass door removed, cracked or broken. Replacement of the glass should be done by a licensed or qualified service person.
- Do not strike or slam shut the appliance glass door.
- Only doors / optional fronts certified with the unit are to be installed on the appliance.
- Keep the packaging material out of reach of children and dispose of the material in a safe manner. As with all plastic bags, these are not toys and should be kept away from children and infants.
- If the appliance is not properly installed, a house fire may result. Do not expose the appliance to the elements (ex. rain, etc.) and keep the appliance dry at all times. Wet insulation will produce an odour when the appliance is used.
- The chimney must be sound and free of cracks. Clean your chimney a minimum of twice a year and as required.
- Do not start a fire with chemicals or fluids such as gasoline, engine oil, etc.
- Your appliance requires periodic maintenance and cleaning. Failure to maintain your appliance may lead to smoke spillage in your home.
- Lower emissions generally result when burning air dried seasoned hardwoods, as compared to softwoods or too green or freshly cut hardwoods. Burning wet unseasoned wood can cause excessive creosote accumulation. When this is ignited it can cause a chimney fire that may result in a serious house fire.
- This appliance is designed to burn natural wood only. Do not burn treated wood, coal, charcoal, coloured paper, cardboard, solvents or garbage.
- Burn wood directly on the firebricks. Do not elevate grate or otherwise raise the fire.
- Do not store wood within appliance installation clearances or within the space required for re-fueling and ash removal.
- Ashes must be disposed in a metal container with a tight lid and placed on a non-combustible surface well away from the home or structure until completely cool.
- Ensure clearances to combustibles are maintained when building a mantel or shelves above the appliance. Elevated temperatures on the wall or in the air above the appliance can cause melting, discolouration or damage to decorations, a T.V. or other electronic components.
- Do not install this fireplace insert in a factory- built fireplace unless certified with the fireplace.

2.1 EXAMPLE OF IDENTIFICATION PLATE

Safety Information / Informations Sur La Sécurité	
	<p>Listed by / Listée par: Spartherm Feuerungstechnik GmbH Maschweg 38 D - 45324 Melle, Germany info@spartherm.com</p> <p>Manufactured by / Fabriqué par: Spartherm Feuerungstechnik GmbH Maschweg 38 D - 45324 Melle, Germany info@spartherm.com</p>
<p>Solid Fuel Room Heater – For Use with Solid Wood Fuel only / Appareil de Chauffage à combustion solides Tested to Standards/ Testé aux Normes: UL-127-11, ULC-S610 M87</p>	<p>Model: Varia M80h-P4 Date of Manufacture / Date de Fabrication: Month/Year / Mois/Année: 08/2016 Serial Number / No de Serie: 16 - 001</p>
<p>TO PREVENT HOUSE FIRES: Contact local building or fire officials about restrictions and installation inspection in your area. Install and use only in accordance with manufacturer's installation and operating instructions and local codes. In the absence of any local codes, installation must meet minimum requirements of NFPA 211 in the USA, and B365 in Canada. Refer to manufacturer's instructions and local codes for precautions required for passing a chimney through a combustible wall or ceiling. Inspect any clean chimney system frequently in accordance with manufacturer's instructions and local codes for precautions required for passing a chimney through a combustible wall or ceiling. Inspect any clean chimney system frequently in accordance with manufacturer's instruction. Do not connect this stove to a chimney flue serving another appliance. Do not use grate or elevate fire. Build wood fire directly on hearth. Installation only with listed UL-103 HT, ULC-S604, ULC-S610 or ULC-S629 chimney diameter 8".</p> <p>TO PREVENT CREOSOTE FIRES: Inspect and clean chimney frequently - under certain conditions of use, creosote buildup may occur rapidly. Do not use fuels other than firewood.</p> <p>CAUTION: Only operate the wood heater with the doors fully closed. Replace glass only with original 4 mm Robax ceramic glass. Areas of the fireplace incorporating warm or cold air ducts shall be enclosed in accordance with the manufacturer's installation instructions. If provided with a hearth extension, the hearth extension must be installed according to the installation instructions! Air is needed for fireplace operation! At least 14 square inches (90.3 square centimeters) of outside air must be admitted to the room or directly to the unit through a 4" (101.6mm) diameter pipe. Failure to provide this may stave other fuel burning appliances from an adequate air supply. Do not obstruct air inlet and outlet in any case. Components used with fireplace must be listed. See manual.</p> <p>Do not use a fireplace insert or other products not specified for use with this product. This fireplace has not been tested with an inverted gas log set. To reduce risk of fire or injury, do not install an unvented gas log set into fireplace.</p> <p>This wood heater needs periodic inspection and repair for proper operation. Consult the owner's manual for further information. It is against federal regulations to operate this wood heater in a manner inconsistent with the operating instructions in the owner's manual.</p>	<p>POUR EVITER LES INCENDIES DOMESTIQUES: Contactez les Autorités des bâtiments et les pompiers pour obtenir des instructions concernant les restrictions et inspections d'installation dans votre région. Installez et utilisez cet appareil uniquement en respectant les instructions d'installation et d'utilisation du fabricant. Respectez également les réglementations locales. En l'absence de réglementations locales, l'installation doit respecter les normes minimales de NFPA 211 aux Etats-Unis et B365 au Canada. Référez-vous aux instructions du fabricant aux réglementations locales pour obtenir des instructions concernant les précautions nécessaires pour le passage de la cheminée à travers une paroi ou un plafond combustible. Inspectez et nettoyez le système de cheminée fréquemment selon les instructions du fabricant. Ne connectez pas ce poêle à un conduit de cheminée utilisé par un autre appareil. N'utilisez pas de grille et ne faites pas monter le feu. Établissez le feu de bois directement dans l'âtre. L'installation doit être faite exclusivement avec le cheminée listée selon la norme UL-103 HT, ULC-S604, ULC-S610 ou ULC-S629 de diamètre 8".</p> <p>POUR EVITER LES FEUX DE CREOSOTE : Inspectez et nettoyez la cheminée régulièrement - Sous certaines condition d'emploi, la creosote peut s'accumuler rapidement. Ne pas utiliser d'autres combustibles que le bois.</p> <p>ATTENTION: N'utilisez le poêle que lorsque les portes sont complètement fermées. Remplacez la vitre uniquement avec du verre Robax céramique de 4 mm. Il faut que les zones du foyer vitré qui portent les canaux d'alimentation d'air chaud et froid soient conformes à l'instruction de montage du fabricant. L'approvisionnement en revêtement fait de matériaux ininflammables devant l'ouverture du foyer vitré doit être installé conforme à l'instruction de montage du fabricant. L'air suffisant pour l'utilisation du foyer est nécessaire. Dans l'emploiment du foyer vitré il faut assurer au moins 14 pouces carrés (90,3 centimètres carrés) de l'air de dehors ou il faut assurer l'alimentation en air de combustion directe au foyer vitré par une tube d'un diamètre de 4 pouces carrés (101,6mm). Un manque d'air d'appoint pourrait priver les autres appareils de combustion d'une alimentation d'air adéquate. Ne pas obstruer les entrées et sorties d'air en aucun cas. Les composants utilisés dans l'appareil doivent être répertoriés. Voir manuel. N'utilisez pas d'insert de cheminée ou autres produits qui ne sont pas autorisés pour l'usage de ce produit.</p> <p>Ce foyer n'est pas encore testé pour l'usage du chauffage au gaz non aéré. Pour diminuer le risque de brûlures ou de blessure n'installez pas de chauffage au gaz.</p> <p>Ce foyer vitré à bois doit être entretenu et réparé à intervalles réguliers pour assurer un fonctionnement correct.</p> <p>Veuillez consulter s.v.p. pour de plus amples informations les instructions du fabricant.</p> <p>Il est contraire aux dispositions de l'autorité d'exploiter ce foyer vitré à bois incompatible au manuel du fabricant.</p>
<p>Floor protection for Canada: 20" (500mm) from unit to front of floor protector.</p>	 <p>Protection de sol pour Canada: 20" (500 mm) de l'avant de l'appareil au bord de la protection.</p>
<p>MINIMUM CLEARANCES TO COMBUSTIBLE MATERIALS</p> <p>A. 44 2/7" (1125 mm) B. 16 1/2" (419 mm) C. 24 1/7" (613 mm) D. 64" (2134 mm) E. 20" (500 mm) F. 12" (300 mm)</p>	<p>ÉCARTEMENT MINIMUM AUX MATERIAUX COMBUSTIBLES</p> <p>A. 44 2/7" (1125 mm) B. 16 1/2" (419 mm) C. 24 1/7" (613 mm) D. 64" (2134 mm) E. 20" (500 mm) F. 12" (300 mm)</p>
<p>IN FRONT OF UNIT 48" (1220 mm)*</p> <p>* Not Tested - NFPA Guidelines in the USA, CAN/CSA B365-M81 in Canada. Floor protection must be minimum 38-inch non-combustible material extending beneath the stove, and to the front and sides from door opening and to the rear as indicated.</p>	<p>PLAFOND - CONDUIT 48" (1220 mm)*</p> <p>* Non teste - Exigences NFPA aux États-Unis, CAN/CSA B365-M81 au Canada. La protection de sol doit avoir une épaisseur de 38 pouces (1 cm), être d'un matériau non combustible et être placée devant et à côté de la porte ainsi qu'à l'arrière, comme indiqué.</p>
<p>CAUTION: HOT WHILE IN OPERATION. DO NOT TOUCH. KEEP CHILDREN AND CLOTHING AWAY. CONTACT MAY CAUSE SKIN BURNS. SEE NAME PLATE AND INSTRUCTIONS. KEEP FURNISHINGS AND OTHER COMBUSTIBLE MATERIALS A CONSIDERABLE DISTANCE AWAY FROM THE APPLIANCE. NOT SUITABLE FOR MOBILE HOME INSTALLATION. DO NOT OVERFIRE - IF HEATER OR CHIMNEY CONNECTOR GLOWS, YOU ARE OVERFIRING.</p>	 <p>ATTENTION: CHAUD PENDANT LE FONCTIONNEMENT - NE PAS TOUCHER. TENIR ÉLOIGNÉS LES ENFANTS ET LES VÊTEMENTS - LE CONTACT PEU CAUSER DES BRÛLURES. CONSULTEZ LA PLAQUE D'IMMATRICULATION ET LES INSTRUCTIONS. TENIR LES FOURNITURES ET AUTRES MATIÈRES COMBUSTIBLES À DISTANCE DE L'APPAREIL. NE PAS INSTALLER DANS UNE MAISON MOBILE. ÉVITER DE SURCHAUFFER - SI LE FEU OU LA CHEMINÉE DEVIENT ROUGE, VOUS SURCHAUFFEZ.</p>
Spartherm - v3. 01. Aug. 2016	
DO NOT REMOVE THIS LABEL / NE PAS ENLEVER CETTE ÉTIQUETTE	

2.2 DIMENSIONS

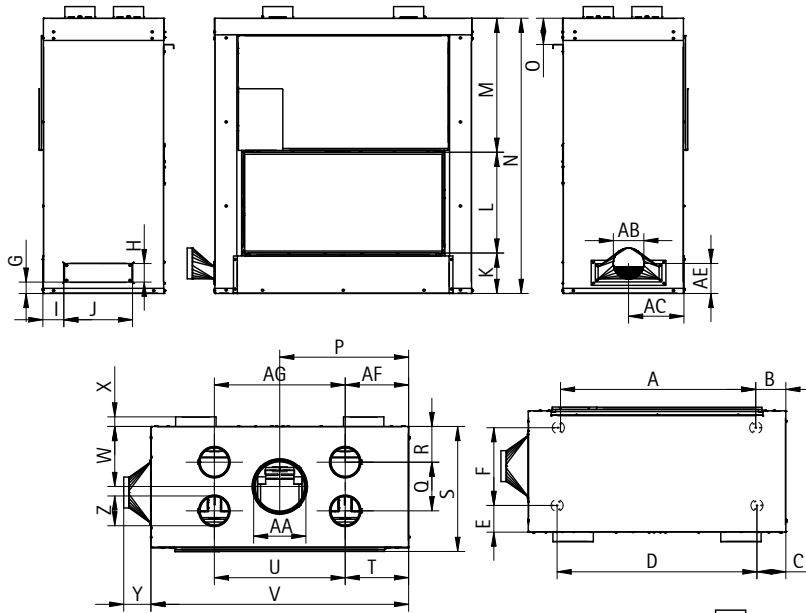
2.2.1 DIMENSIONS SINGLE FACED



Example shown: Varia M80h

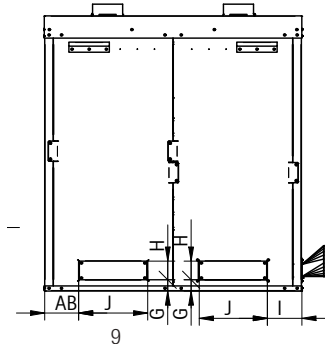
	Varia M60h-P4	Varia M80h-P4	Varia M100h-P4
A	25 2/5"	33 1/4"	41 1/7"
B	4"	3 1/2"	3 1/2"
C	5 1/4"	4 5/6"	4 5/6"
D	22 4/5"	30 2/3"	38 1/2"
E	5 5/9"	5 5/6"	5 5/6"
F	12 1/2"	12 1/2"	12 1/2"
G	8 3/4"	8 3/4"	8 3/4"
H	4 5/6"	4 5/6"	4 5/6"
I	7"	7"	7"
J	15 1/3"	15 1/3"	15 1/3"
K	19 2/3"	19 2/3"	19 2/3"
L	25 3/4"	25 3/4"	25 3/4"
M	60 3/4§	60 3/4"	60 3/4"
N	5 1/8"	5 1/8"	5 1/8"
O	10 6/7"	10 7/8"	10 7/8"
P	16 3/5"	20 1/6"	24"
Q	-	8 1/3"	12"
R	-	8"	8 1/9"
S	7"	7 1/2"	7"
T	22 1/4"	22 1/4"	22 1/4"
U	1 8/9"	1 8/9"	1 8/9"
V	-	23 2/3"	24 1/6"
W	5 3/5"	28 1/3"	34 5/7"
X	8 1/3"	6"	6 7/9"
Y	33 1/4"	40 1/3"	48 2/9"
Z	6"	6"	6"
AA	7 7/8"	7 7/8"	7 7/8"
AB	16 4/7"	20 1/8"	24"
AC	6"	6"	6"

2.2.2. DIMENSIONS SINGLE FACED



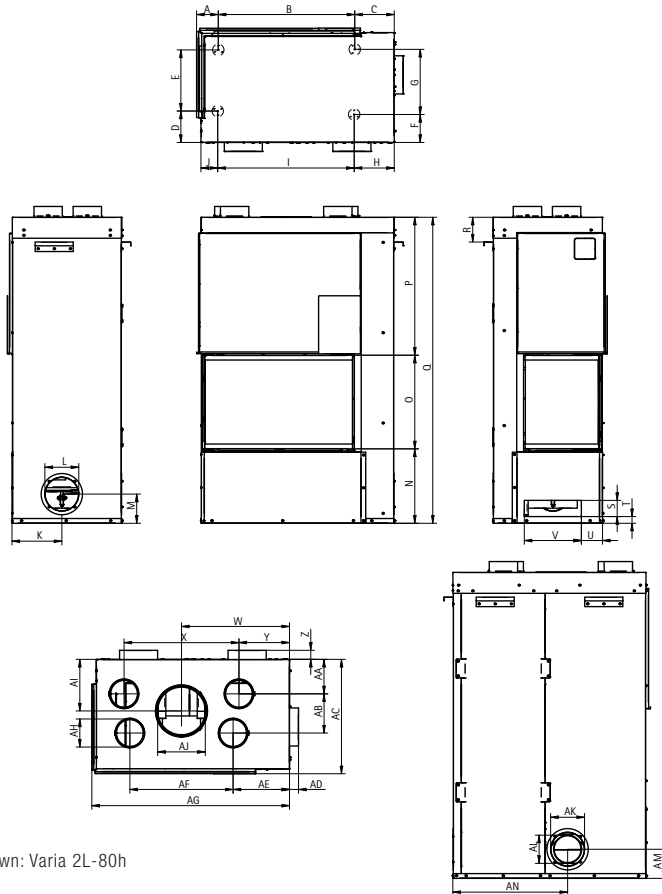
Example shown: Varia Bh

Please note: The separate combustion air connector for model Arte Bh is oriented to the back at delivery. The separate combustion air connector for model Varia Bh is oriented to the side at delivery as shown.



	Varia Bh-P4	Arte Bh-P4
A	38"	28"
B	5 7/8"	4 1/2"
C	5 5/8"	8 1/2"
D	39"	19 4/5"
E	5 1/5"	4"
F	15 1/6"	16 1/6"
G	2 1/5"	1 1/4"
H	3 5/8"	4 7/8"
I	6 3/4"	4"
J	13 2/5"	14 4/7"
K	7 7/8"	10 1/6"
L	19 2/3"	30 5/7"
M	26 1/7"	23 6/7"
N	53 5/8"	64 5/7"
O	5 1/8"	5 1/8"
P	25 1/8"	13 3/8"
Q	9 1/2"	8 1/9"
R	7"	8 3/7"
S	24 3/8"	24 1/7"
T	12 1/3"	7 2/5"
U	25 1/2"	22"
V	50 1/4"	36 8/9"
W	11 2/3"	7 5/9"
X	1 8/9"	1 8/9"
Y	5 1/3"	3 2/5"
Z	6"	6"
AA	9 5/6"	7 7/8"
AB	6 3/5"	-
AC	10 4/5"	18 1/2"
AD	6"	6"
AE	5 5 1/2"	5 5/6"
AF	12 1/3"	6 3/7"
AG	25 1/2"	24"

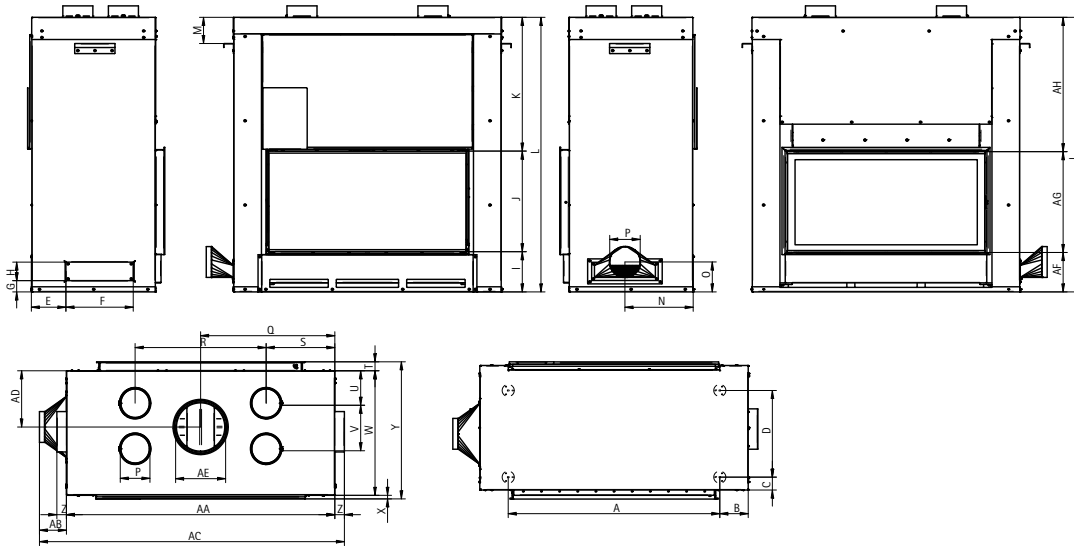
2.2.3. DIMENSIONS TWO SIDED



Example shown: Varia 2L-80h

	Varia 2L-80h-P4 Varia 2R-80h-P4	Varia 2L-100h-P4 Varia 2R-100h-P4
A	4 1/2"	4 1/2"
B	28 2/9"	37 2/3"
C	8 1/5"	6 3/5"
D	6 1/2"	4 7/8"
E	12 2/3"	14 1/4"
F	5 4/6"	5 4/6"
G	13 1/2"	13 1/2"
H	8 1/4"	8 1/4"
I	28 2/9"	36 1/9"
J	3 1/2"	3 1/2"
K	10 1/3"	10 1/3"
L	7"	7"
M	6"	6"
N	15"	15"
O	19 3/8"	19 3/4"
P	28 1/2"	28 1/2"
Q	63 1/4"	63 2/3"
R	5 1/8"	5 1/8"
S	3 1/3"	3 1/3"
T	1 3/8"	1 3/8"
U	4 3/8"	4 3/8"
V	11 4/5"	11 4/5"
W	22 1/3"	26 2/7"
X	23 7/9"	25 3/5"
Y	10 1/2"	13 1/2"
Z	1 8/9"	1 8/9"
AA	7 1/8"	6"
AB	8 1/9"	9 4/9"
AC	23 2/3"	23 2/3"
AD	1 8/9"	1 8/9"
AE	11 2/3"	13 1/2"
AF	21 1/3"	25 3/5"
AG	40 6/7"	48 3/4"
AH	6"	6"
AI	10 2/3"	10 2/3"
AJ	9 5/6"	9 5/6"
AK	7"	7"
AL	6"	6"
AM	6"	6"
AN	23 3/4"	27 2/3"

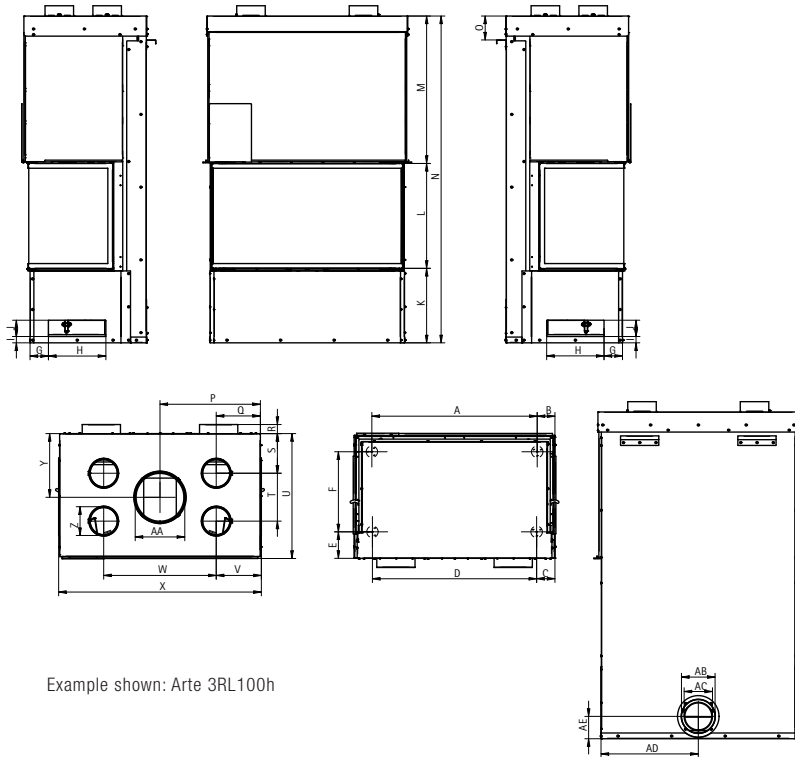
2.2.4. DIMENSIONS DOUBLE SIDED



Example shown: Varia B-FDh

	Varia B-FDh-P4
A	41 1/3"
B	5 5/9"
C	2 1/2"
D	17"
E	6 7/9"
F	13 1/7"
G	2 1/5"
H	3 5/8"
I	7 7/8"
J	19 2/3"
K	26 1/7"
L	53 2/3"
M	5 1/8"
N	13 1/3"
O	5 5/6"
P	6"
Q	26 2/9"
R	25 3/4"
S	13 3/7"
T	1 7/9"
U	6 3/4"
V	8 8/9"
W	24 1/3"
X	5/7"
Y	26 7/9"
Z	1 8/9"
AA	52 4/9"
AB	5 2/7"
AC	59 4/7"
AD	11"
AE	9 5/6"
AF	7 5/7"
AG	19 2/3"
AH	26 1/4"

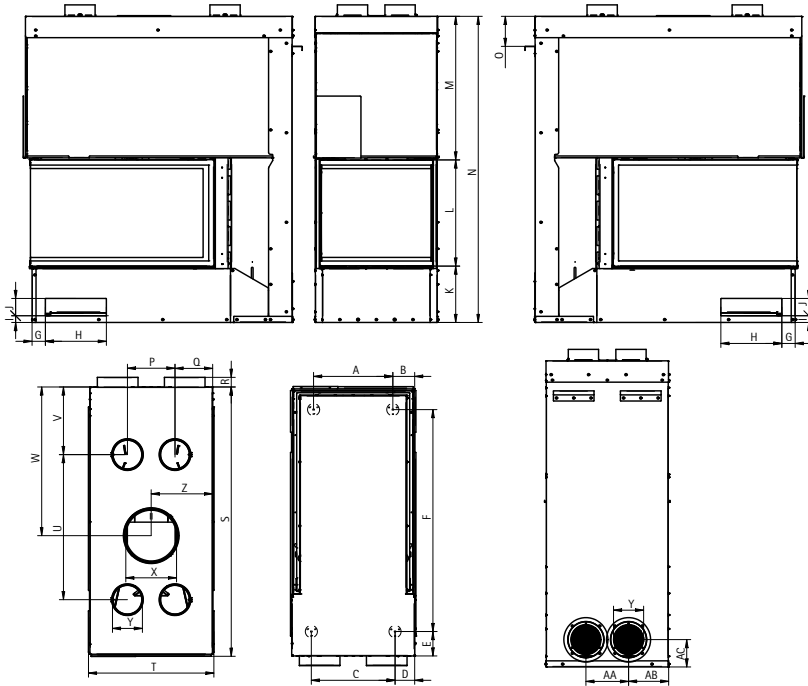
2.2.5 DIMENSIONS THREE SIDED



Example shown: Arte 3RL100h

	Arte 3RL60h-P4	Arte 3RLh80h-P4	Arte 3RL100h-P4
A	18 1/4"	26 1/7"	34"
B	3 1/2"	3 1/2"	3 5/8"
C	3 5/8"	3 2/3"	3 7/9"
D	18"	26"	33 7/9"
E	5 3/7"	5 3/7"	5 3/7"
F	13 1/3"	14 1/2"	16 1/2"
G	2"	2 3/5"	3 7/9"
H	11 4/5"	11 4/5"	11 4/5"
I	1 1/7"	1 1/7"	1 1/7"
J	3 1/3"	3 1/3"	3 1/3"
K	15 1/3"	15 1/3"	15 1/3"
L	21 4/7"	21 4/7"	21 4/7"
M	33 1/2"	30 1/3"	30 1/3"
N	70 2/5"	67 1/5"	67 1/5"
O	5"	5"	5"
P	12 2/3"	16 3/5"	20 5/8"
Q	4 5/7"	8 1/7"	9"
R	1 8/9"	1 8/9"	1 8/9"
S	4 2/4"	4 2/5"	8 1/7"
T	-	14 1/4"	9 5/6"
U	24"	24"	25 2/3"
V	4 3/5"	7 3/4"	9 2/7"
W	16 3/4"	18 1/3"	23 1/7"
X	26"	33 5/6"	41 2/3"
Y	11 1/2"	11 1/2"	13 1/9"
Z	6"	6"	6"
AA	9 5/6"	9 5/6"	9 5/6"
AB	7"	7"	7"
AC	6"	6"	6"
AD	12 1/8"	16"	20"
AE	4 3/5"	4 3/5"	4 3/5"

2.2.6. DIMENSIONS THREE SIDED



Example shown: Arte U-90h

	Arte U-50h-2016-P4	Arte U-70h-2016-P4	Arte U-90h-2016-P4
A	14 2/3"	14 2/3"	16 6/7"
B	3 2/5"	3 3/7"	3 3/7"
C	14 1/5"	14 1/5"	16 3/8"
D	3 1/7"	3 1/7"	3 1/7"
E	7 3/5"	8 8/9"	7 2/7"
F	20 2/5"	27 1/2"	37"
G	2 3/5"	2 3/5"	2 3/5"
H	11 4/5"	11 4/5"	11 4/5"
I	1 2/7"	1 2/7"	1 2/7"
J	3 1/3"	3 1/3"	3 1/3"
K	11"	11"	11"
L	21"	20 5/9"	20 5/9"
M	29 1/7"	26 3/8"	26 3/8"
N	61"	57 7/8"	57 7/8"
O	5 4/5"	5 5/6"	5 4/5"
P	8 5/6"	8 5/6"	8 5/6"
Q	6 1/3"	6 3/8"	7 1/2"
R	1 8/9"	1 8/9"	1 8/9"
S	31 4/7"	40"	48"
T	22"	22 1/8"	24 2/7"
U	-	24 1/2"	24 1/2"
V	8"	6 1/7"	12 2/7"
W	20 1/3"	18 2/5"	24 1/2"
X	9 5/6"	9 5/6"	9 5/6"
Y	6"	6"	6"
Z	10 5/7"	10 4/5"	11 6/7"
AA	-	-	8 2/3"
AB	10 1/5"	10 1/5"	7"
AC	4 5/6"	4 5/6"	4 5/6"

2.3. SPECIFICATIONS

	Fire chamber volume	Minimum Power	Maximum power	Efficiency*	Chimney type	Unit weight	ideal fuel size
Varia M60h	2.53 ft ³	16500 BTU	31000 BTU	>78%	8"	452 lbs	18"
Varia M80h	3.5 ft ³	21500 BTU	40000 BTU	>78%	8"	662 lbs	18"
Varia M100h	4.11 ft ³	26000 BTU	49000 BTU	>78%	8"	772 lbs	18"
Varia Bh	4.28 ft ³	25000 BTU	46000 BTU	>78%	10"	772 lbs	18"
Arte Bh	4.2 ft ³	26000 BTU	49000 BTU	>78%	8"	573 lbs	20"
Varia 2L/2R-80h	4.14 ft ³	25000 BTU	46000 BTU	>80%	10"	606 lbs	18"
Varia 2L/2R-100h	4.16 ft ³	26500 BTU	49000 BTU	>78%	10"	617 lbs	18"
Varia B-FDh	6.83 ft ³	26500 BTU	49000 BTU	>78%	10"	772 lbs	18"
Arte 3RL60h	2.71 ft ³	19000 BTU	33500 BTU	>80%	10"	551 lbs	20"
Arte 3RL80h	4.38 ft ³	21500 BTU	40000 BTU	>80%	10"	617 lbs	20"
Arte 3RL100h	5.88 ft ³	26000 BTU	49000 BTU	>78%	10"	662 lbs	20"
Arte U-50h-2016	2.67 ft ³	21500 BTU	40000 BTU	80%	10"	529 lbs	18"
Arte U-70h-2016	3.94 ft ³	26000 BTU	49000 BTU	>78%	10"	827 lbs	18"
Arte U-90h-2016	6.1 ft ³	31000 BTU	57500 BTU	>78%	10"	1023 lbs	18"

*efficiency results: as per formal european testing EN 13229

Conversion Factors

Inches to millimeters (mm): 1" = 25.4 mm

British Thermal Unit BTU/h to Watt: 1BTU/h = 0.293 Watt

Kilogramm to Pound: 1kg = 2.205 lb

Cubicmeter to cubicfeet:

$$1\text{m}^3 = 35.314 \text{ft}^3$$

2.4. GENERAL INSTRUCTIONS



THIS APPLIANCE HAS NOT BEEN TESTED WITH ANY VENTED OR UNVENTED GAS LOG SET: TO REDUCE RISK OF FIRE OR PREVENT INJURY, DO NOT

INSTALL A VENTED OR UNVENTED GAS LOG SET INTO THE APPLIANCE.

DO NOT CONNECT THIS APPLIANCE TO A CHIMNEY FLUE SERVING ANOTHER APPLIANCE.

THIS APPLIANCE AND THE COMPONENTS ARE DESIGNED TO BE INSTALLED AND OPERATED AS A SYSTEM. ANY ALTERATION TO OR SUBSTITUTION FOR ITEMS IN THIS SYSTEM, UNLESS ALLOWED BY THESE INSTALLATION INSTRUCTIONS, WILL VOID THE LISTING AND MAY VOID THE PRODUCT WARRANTY. IT MAY ALSO CREATE A HAZARDOUS INSTALLATION. READ THROUGH THESE INSTRUCTIONS THOROUGHLY BEFORE STARTING YOUR INSTALLATION AND FOLLOW THEM CAREFULLY THROUGHOUT YOUR PROJECT.

- Before beginning your installation, consult with your local building code agency or fire officials and insurance representative to ensure compliance.


- Non-toxic smoke will be emitted during the paint curing process, to help dissipate the smoke open a window near the appliance.
- Remove any dust or debris off the top of the appliance before firing the appliance as the paint will become soft as the appliance heats up and will harden as the appliance cures. To cure the paint on your appliance burn your appliance moderately hot during the first few fires.
- To keep the gasket from sticking to the appliance as the paint is curing, periodically open the door every 5-10 minutes.
- For the first two weeks use generous amounts of fuel and burn the appliance for an hour as the appliance goes through a process of eliminating moisture in the steel and firebricks. The initial heat output will be reduced while the moisture is being drawn from the appliance and it will be necessary to build several hot fires to remove this moisture. DURING THIS PROCESS DO NOT OVERFIRE THE APPLIANCE.

2.5. GENERAL INFORMATION

The chimney vent system used on your wood burning appliance should be designed with the least amount of restriction possible to enable the exhaust products to easily flow through it. Chimney vent systems that are too short or too long (refer to point 4.3 "chimney installation") can also have an adverse affect on the flow of exhaust through it. The wood burning appliance and chimney vent system also require a sufficient supply of combustion air not only to support the combustion in the combustion chamber but to replace the exhaust leaving it so it can flow freely up through the vent system and out into the atmosphere. It is the correct balance of combustion air and the chimney vent system that will ensure the appliance provides you with its optimum performance.


Be sure to provide sufficient combustion air. There are many other appliances in your home competing for air such as a kitchen range hood, forced air heating devices or a bathroom exhaust fan.

Expansion / contraction noises during heating up and cooling down cycles are normal and to be expected.



NATIONAL FIREPLACE INSTITUTE
NFI
CERTIFIED
www.nficertified.org

We suggest that our woodburning hearth products be installed and serviced by professionals who are certified in the U.S. by the National Fireplace Institute® (NFI) as NFI Woodburning Specialists or who are certified in Canada by Wood Energy Technical Training (WETT).



Wood Energy Technical Training
www.wettinc.co

After extended periods of non-operation such as following a vacation or a warm weather season, the appliance may emit a slight odour for a few hours. This is caused by dust particles on the firebox burning off. Open a window to sufficiently ventilate the room.

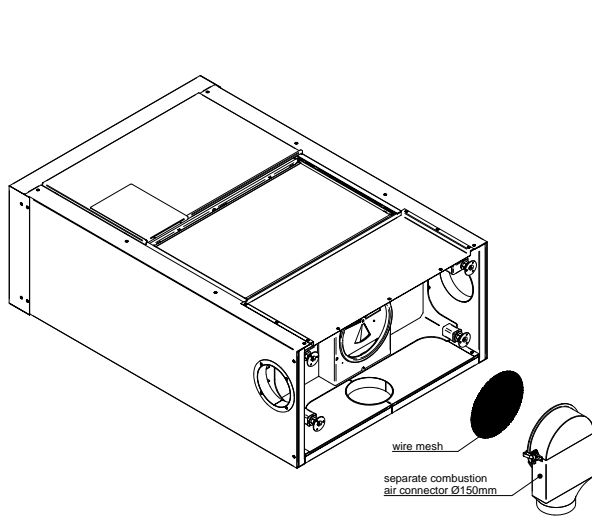
CALIFORNIA PROP 65 WARNING:

Use of this product may produce smoke which contains chemicals known to the State of California to cause cancer, birth defects, or other reproductive harm.

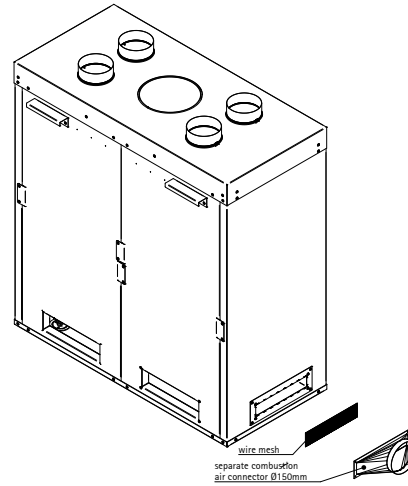
If you experience smoking problems, you may need to open a door, a window or otherwise provide some method of supplying combustion air to the appliance.

2.6. AIR SYSTEM

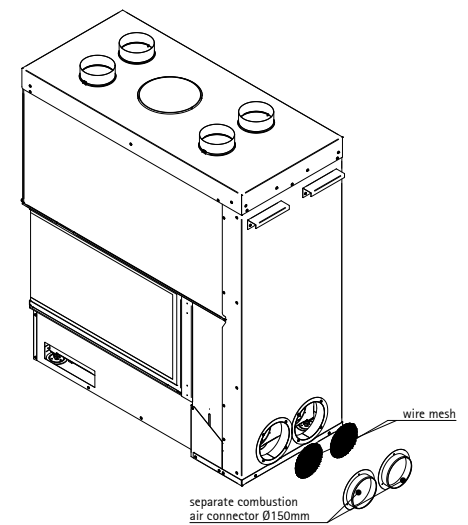
When mounting the air system ensure that the air control system provides fresh air from the outside. In order for the air system to function, you have to ensure in the structure that no vacuum occurs in the housing. If convection grates are installed, be sure not to block them. Air system (accessory) is connected to the bottom of the stove.



Example shown: Varia M80h
 is mandatory for: Varia M60h, M80h, M100h,
 2L-80h, 2R-80h, 2L-100h, 2R-100h and
 Arte 3RL60h, 3RL80h, 3RL100h



Example shown: Varia Bh
 is mandatory for: Varia Bh, B-FDh
 and Arte Bh



Example shown: Arte U-90h
 is mandatory for: Arte U-50h (-2016), U-70h (-2016),
 U-90h (-2016)

Please note: Arte U-50h (-2016) and U-70h (-2016)
 are executed with one separate combustion air
 connector

Models **Arte 3RL-60h**, **Arte 3RL-80h** and **Arte 3RL-100h** may only
 be installed with a separate combustion air pipe oriented to the back.

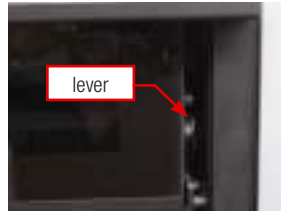
2.7. DOOR OPENING

2.7.1. FLAT AND ANGLED DOOR

Use the “operational tool” to open and close the door.



operational tool



Position the “operational tool” on the lever at the bottom handle side of the door.



Move the door up and down.

2.7.2. DOUBLE ANGLED DOOR

Use the “operational tool” to open and close the door.



operational tool



Position the “operational tool” in the holding fixture at the right side of the unit.



Move the door up and down.

Please contact your dealer who offers suitable parts for air inlet ducts (pipes and damper).

Make sure that the wire mesh is mounted at the combustion air inlet.

3. INSTALLATION PLANNING

Clean all ashes out of the inside of the existing fireplace opening. Make sure that the chimney and fireplace are free of cracks, loose mortar, creosote deposits, blockage or other signs of deterioration. If necessary, have any repair work done by a qualified professional before installing the insert.

Do **NOT** remove bricks or mortar from the fireplace. In case of an outside air inlet or ash dump, fill with fiberglass insulation. Adhere to minimum clearances as illustrated.



WARNING

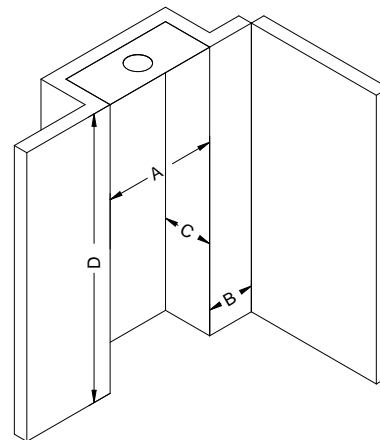
WEAR GLOVES AND SAFETY GLASSES FOR PROTECTION. CAREFULLY FOLLOW THE INSTRUCTIONS FOR ASSEMBLY OF THE PIPE AND OTHER PARTS NEEDED TO INSTALL THE APPLIANCE. FAILURE TO DO SO MAY RESULT IN A FIRE, ESPECIALLY IF COMBUSTIBLES ARE TOO CLOSE TO THE APPLIANCE OR CHIMNEY AND AIR SPACES ARE BLOCKED, PREVENTING THE FREE MOVEMENT OF COOLING AIR. DO NOT DRAW OUTSIDE AIR FROM GARAGE SPACES. EXHAUST PRODUCTS OF GASOLINE ENGINES ARE HAZARDOUS. DO NOT INSTALL OUTSIDE AIR DUCTS SUCH THAT THE AIR MAY BE DRAWN FROM ATTIC SPACES, BASEMENTS OR ABOVE THE ROOFING WHERE OTHER HEATING APPLIANCES OR FANS AND CHIMNEYS EXHAUST OR UTILIZE AIR. THESE PRECAUTIONS WILL REDUCE THE POSSIBILITY OF APPLIANCE SMOKING OR AIR FLOW REVERSAL. THE OUTSIDE AIR INLET MUST REMAIN CLEAR OF LEAVES, DEBRIS ICE AND/OR SNOW OR ANY OTHER OBSTACLES. IT

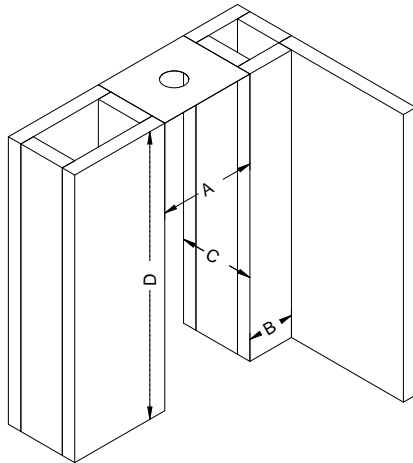
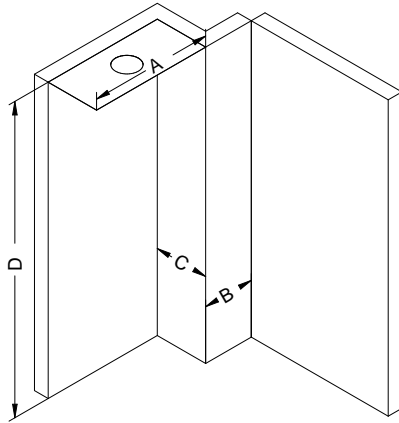
MUST BE UNRESTRICTED WHILE APPLIANCE IS IN USE TO PREVENT ROOM AIR STARVATION WHICH CAN CAUSE SMOKE SPILLAGE AND AN INABILITY TO MAINTAIN A FIRE. SMOKE SPILLAGE CAN ALSO SET OFF SMOKE ALARMS. NEGATIVE PRESSURE WITHIN YOUR HOME MAY INADVERTENTLY AFFECT YOUR APPLIANCE. TO PREVENT CONTACT WITH SAGGING OR LOOSE INSULATION, THE APPLIANCE MUST NOT BE INSTALLED AGAINST VAPOUR BARRIERS OR EXPOSED INSULATION. LOCALIZED OVERHEATING COULD OCCUR AND A FIRE COULD RESULT. DO NOT USE MAKESHIFT COMPROMISES DURING INSTALLATION. DO NOT BLOCK OR RESTRICT AIR, GRILLE OR LOUVRE OPENINGS. DO NOT ADD A HOOD. KEEP HAND TOOLS IN GOOD CONDITION; SHARPEN CUTTING EDGES AND MAKE SURE TOOL HANDLES ARE SECURE. ALWAYS MAINTAIN THE MINIMUM AIR SPACE REQUIRED TO THE ENCLOSURE TO PREVENT FIRES. DO NOT PACK REQUIRED AIR SPACES WITH INSULATION OR OTHER MATERIALS.

3.1. MINIMUM CLEARANCES TO COMBUSTIBLES

DO **NOT** PLACE ANY COMBUSTIBLE MATERIALS (FURNITURE, FIREWOOD, ETC.) WITHIN 48" (1220mm) IN FRONT AND ON THE SIDES OF THE INSERT.

COMBUSTIBLE MATERIALS CAN'T PROTRUDE ONTO THE METAL PARTS OF THE UNIT, THEY MUST BE COVERED WITH NON COMBUSTIBLE MATERIALS.

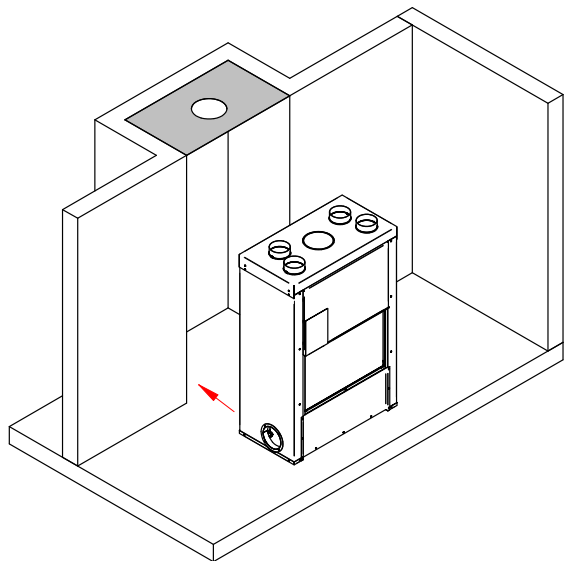




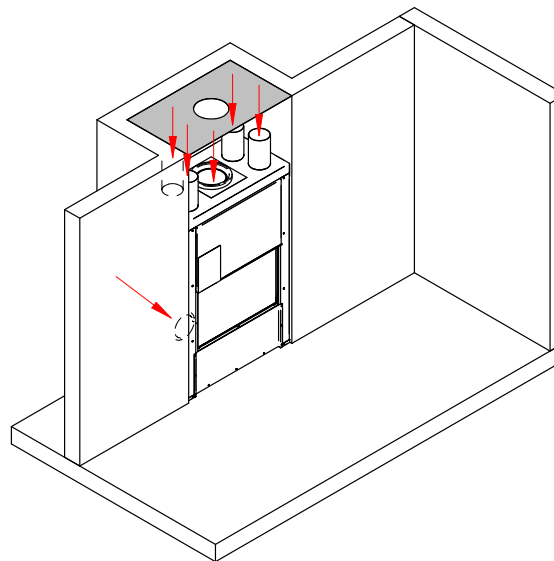
	A	B	C	D
Varia M60h	37 1/5"	16 1/2"	24 1/7"	84"
Varia M80h	44 2/7"	16 1/2"	24 1/7"	84"
Varia M100h	52 1/6"	16 1/2"	24 1/7"	84"
Varia Bh	57 1/2"	16 1/2"	26 1/4"	84"
Arte Bh	40 5/6"	16 1/2"	29 2/5"	84"
Varia 2L/2R-80h	42 3/4"	16 1/2"	25 5/9"	84"
Varia 2L/2R-100h	50 5/8"	16 1/2"	25 5/9"	84"
Varia B-FDh	56 2/9"	16 1/2"	26 7/9"	84"
Arte 3RL60h	26"	48"	0"	84"
Arte 3RL80h	33 5/6"	48"	0"	84"
Arte 3RL100h	41 2/3"	48"	0"	84"
Arte U-50h-2016	22"	48"	0"	84"
Arte U-70h-2016	22 1/8"	48"	0"	84"
Arte U-90h-2016	24 2/7"	48"	0"	84"

A combustible shelf can be installed above the fireplace at a minimum of 12" from the top of the glass door. The shelf must be 6" deep maximum.

3.2. PLACEMENT



NOTE! All grey colored parts have to be non combustible!



NOTE! All grey colored parts have to be non combustible!

3.3. FLANGES AND ANCHOR PLATE

NOTE!! the anchor plate is not included with the unit. Use only an chimney certified as UL 103HT or ULC S-629. Be sure to place the convection and exhaust connectors before placing the top elements of the insulation shell. The dimensions and positioning of the different air inlet and outlet are available in the table in chapter „dimensions“.

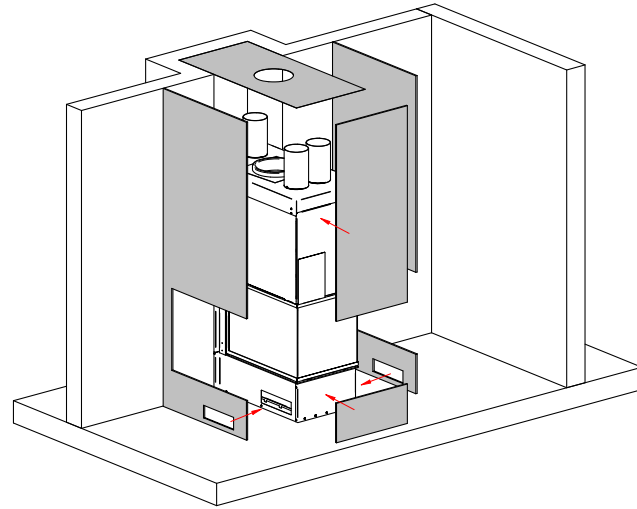
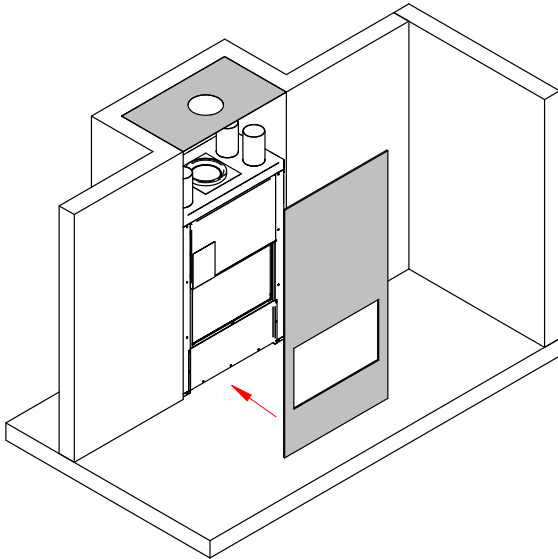
3.4. FRONT CHASE

You must finish the front side of the fireplace using a cement board.

CAUTION!

Spartherm recommends the use of one piece cement board in place of multiple in order to avoid cracks.

- > **Screw the cement board on the frame of the prefabricated shell.**
- > **Finish the wall.**
- > **Place L or J finishing trim to obtain sharp angles.**
- > **Plaster**



NOTE! All grey colored parts have to be non combustible!

NOTE! Do only use non combustible materials 6 inch surrounding the con-
vection air grills.

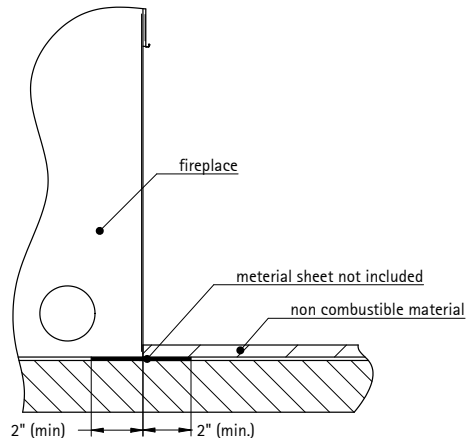
4. INSTALLATION

4.1. HEARTH EXTENSION

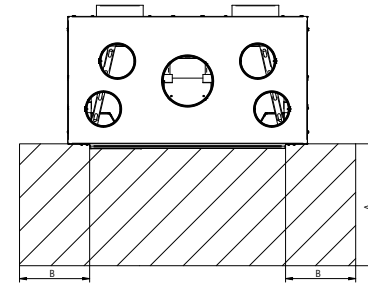


INSTALL THE HEARTH EXTENSION ONLY AS ILLUSTRATED!

A 20" x 12" (500mm x 300mm) minimum hearth extension made of non combustible material is required. To prevent any burning embers falling between the fireplace and the hearth extension from coming into contact with the floor, insert a metal sheet under the front of the fireplace. This sheet must extend 4" (100mm) on both sides of the fireplace and 2" (50mm) in front. You can also prevent embers from falling in the joint between the fireplace and the hearth extension by filling it with mortar grout.

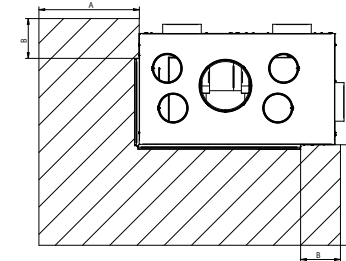


4.1.1. SINGLE FACED



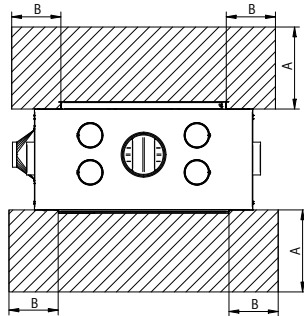
	Varia M60h	Varia M80h	Varia M100h	Varia Bh	Arte Bh
A	20"	20"	20"	20"	20"
B	12"	12"	12"	12"	12"

4.1.2. TWO SIDED



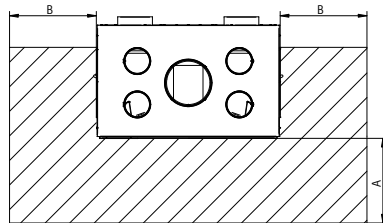
	Varia 2L-80h	Varia 2R-80h	Varia 2L-100h	Varia 2R-100h
A	20"	20"	20"	20"
B	12"	12"	12"	12"

4.1.3. DOUBLE SIDED



Varia B-FDh	
A	20"
B	12"

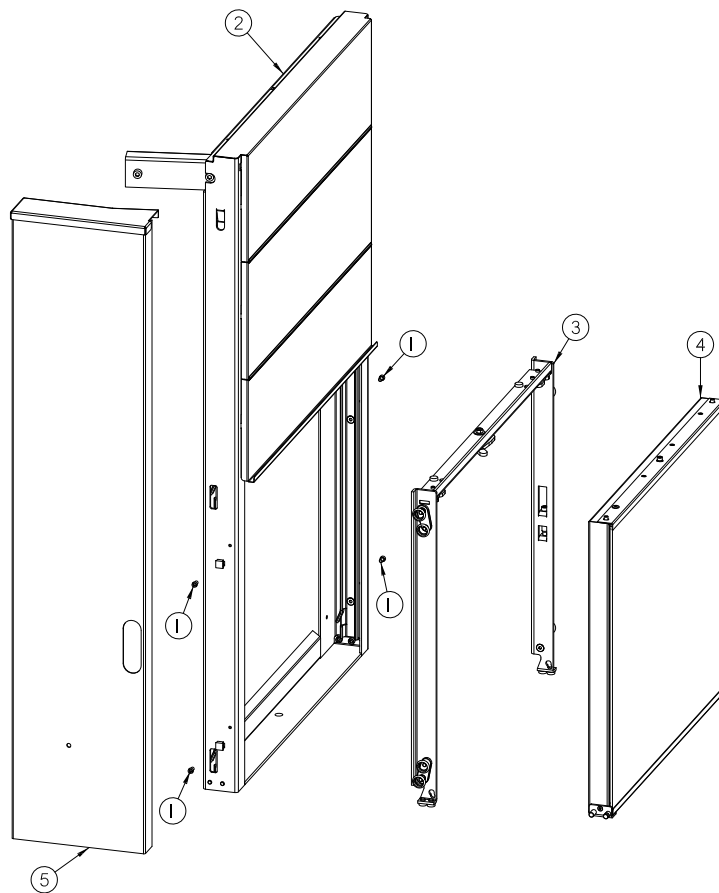
4.1.4 . THREE SIDED



	Arte 3RL60h	Arte 3RL80h	Arte 3RL100h	Arte U-50h-2016	Arte U-70h-2016	Arte U-90h-2016
A	20"	20"	20"	20"	20"	20"
B	20"	20"	20"	20"	20"	20"

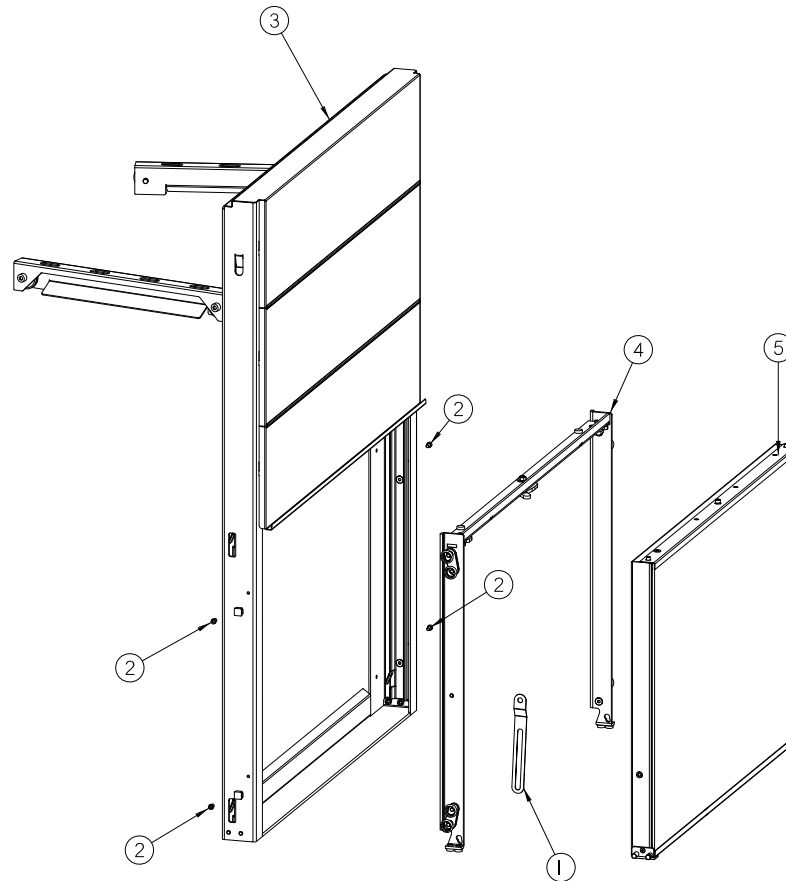
4.2.1. VARIA M-60h

pos.	name
1	cheese head cap screw M5x8
2	frame
3	slide
4	door
5	weight shaft sheet



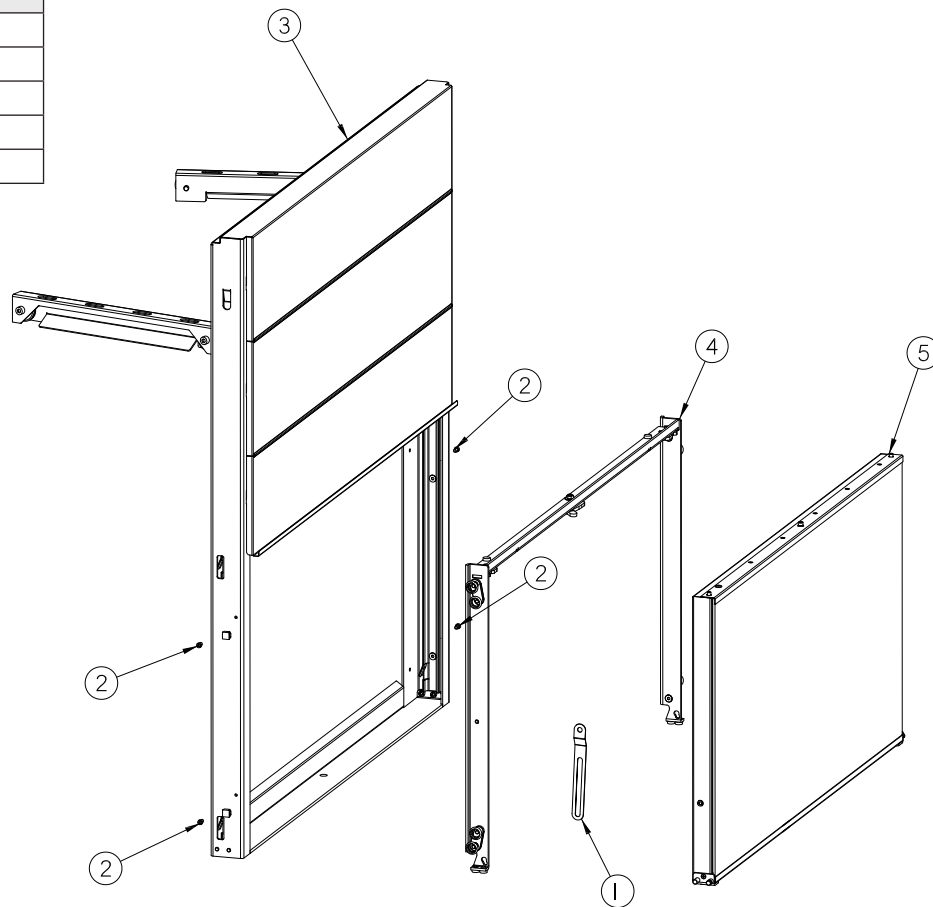
4.2.2. VARIA M-80h

pos.	name
1	door lock
2	cheese head cap screw M5x8
3	frame
4	slide
5	door



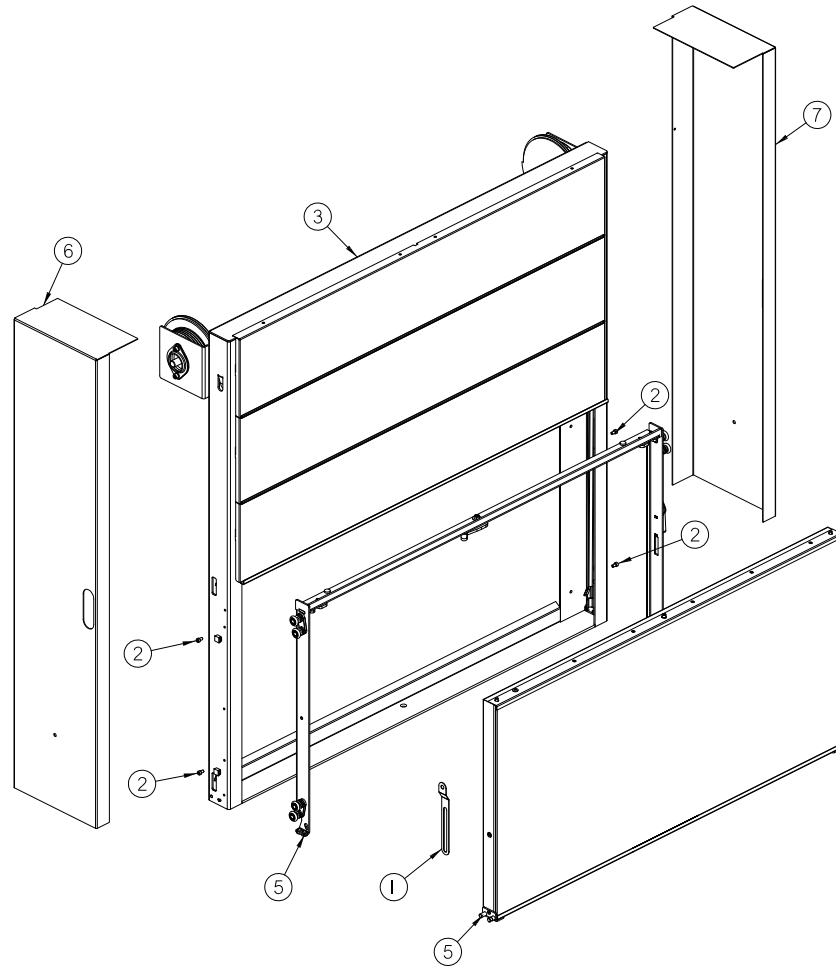
4.2.3. VARIA M-100h

pos.	name
1	door lock
2	cheese head cap screw M5x8
3	frame
4	slide
5	door



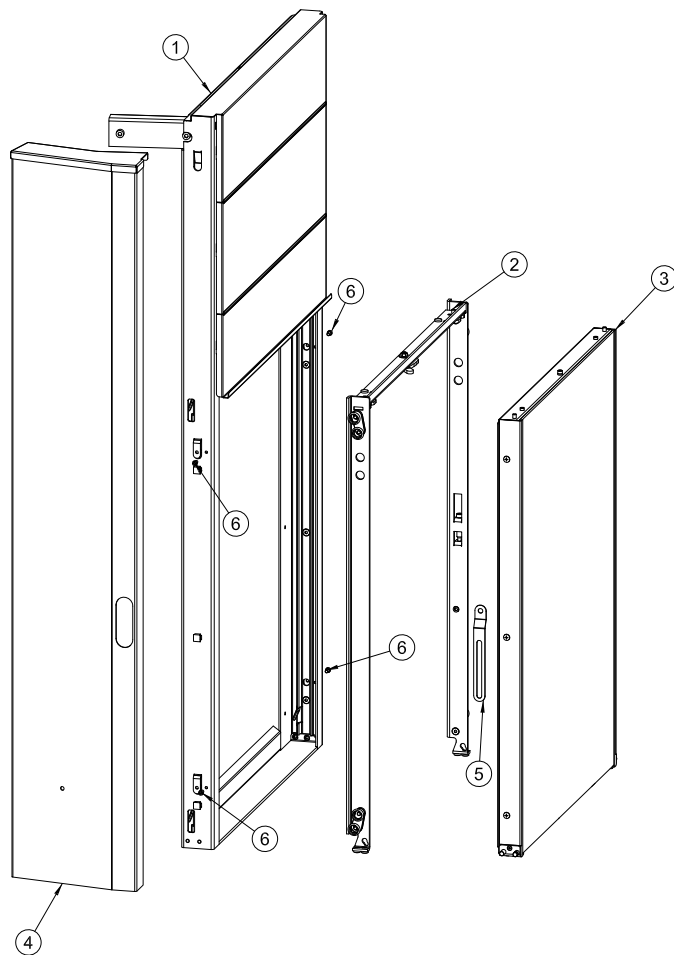
4.2.4. VARIA Bh

pos.	name
1	door lock
2	cheese head cap screw M5x8
3	frame
4	slide
5	door
6	weight shaft sheet, left
7	weight shaft sheet, right



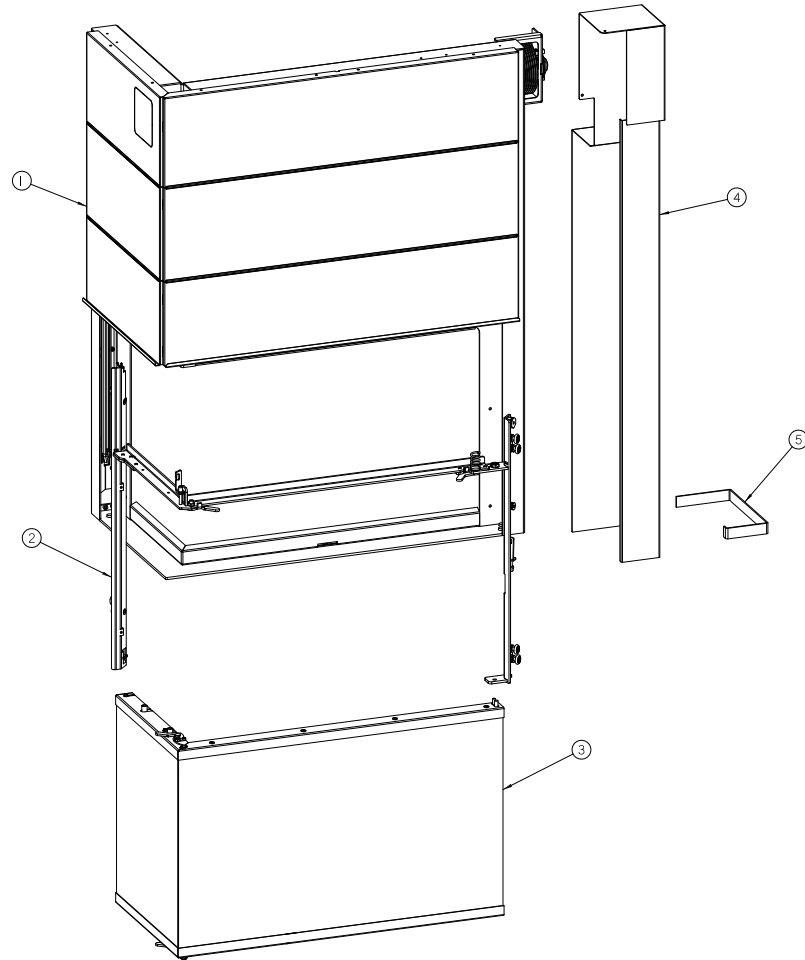
4.2.5. ARTE Bh

pos.	name
1	frame
2	slide
3	door
4	weight shaft sheet
5	door lock
6	cheese head cap screw M5x8



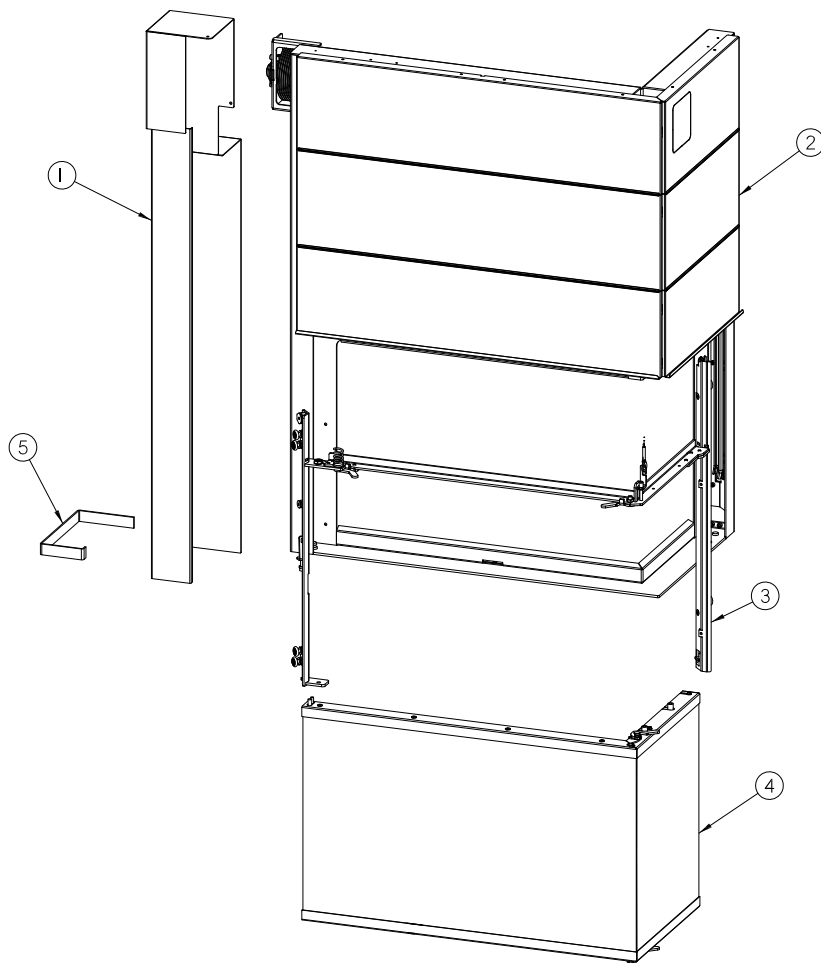
4.2.6. VARIA 2L-80h

pos.	name
1	frame
2	slide
3	door
4	weight shaft sheet
5	clamp



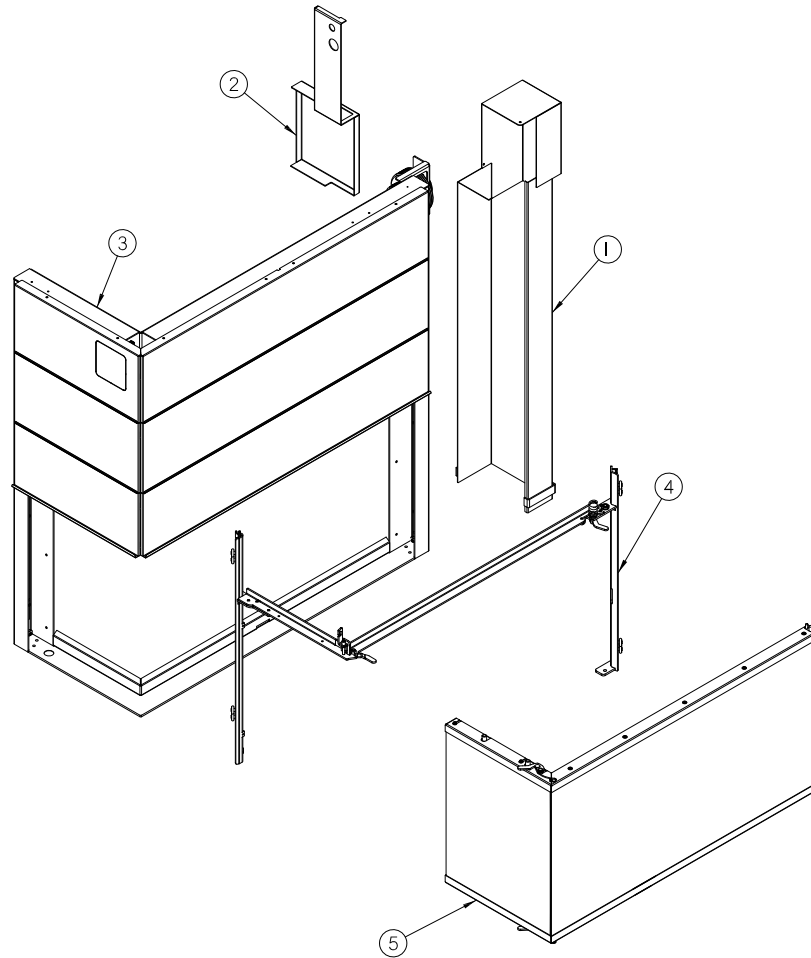
4.2.7. VARIA 2R-80h

pos.	name
1	weight shaft sheet
2	frame
3	slide
4	door
5	clamp

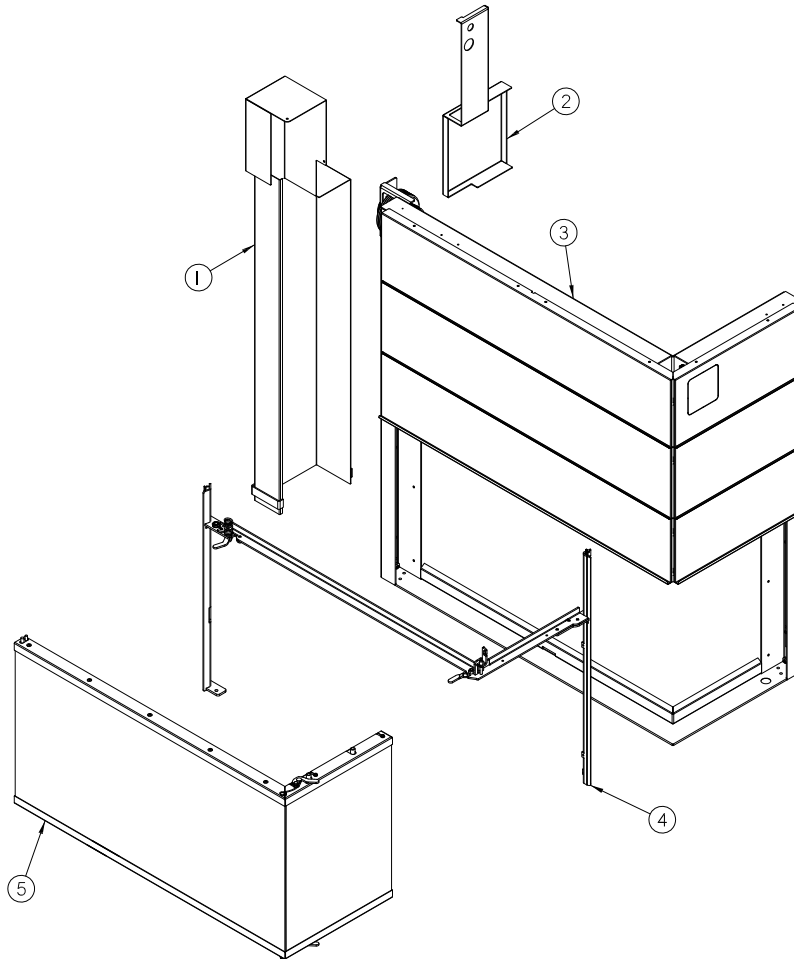


4.2.8. VARIA 2L-100h

pos.	name
1	weight shaft sheet
2	weight shaft sheet, inside
3	frame
4	slide
5	door

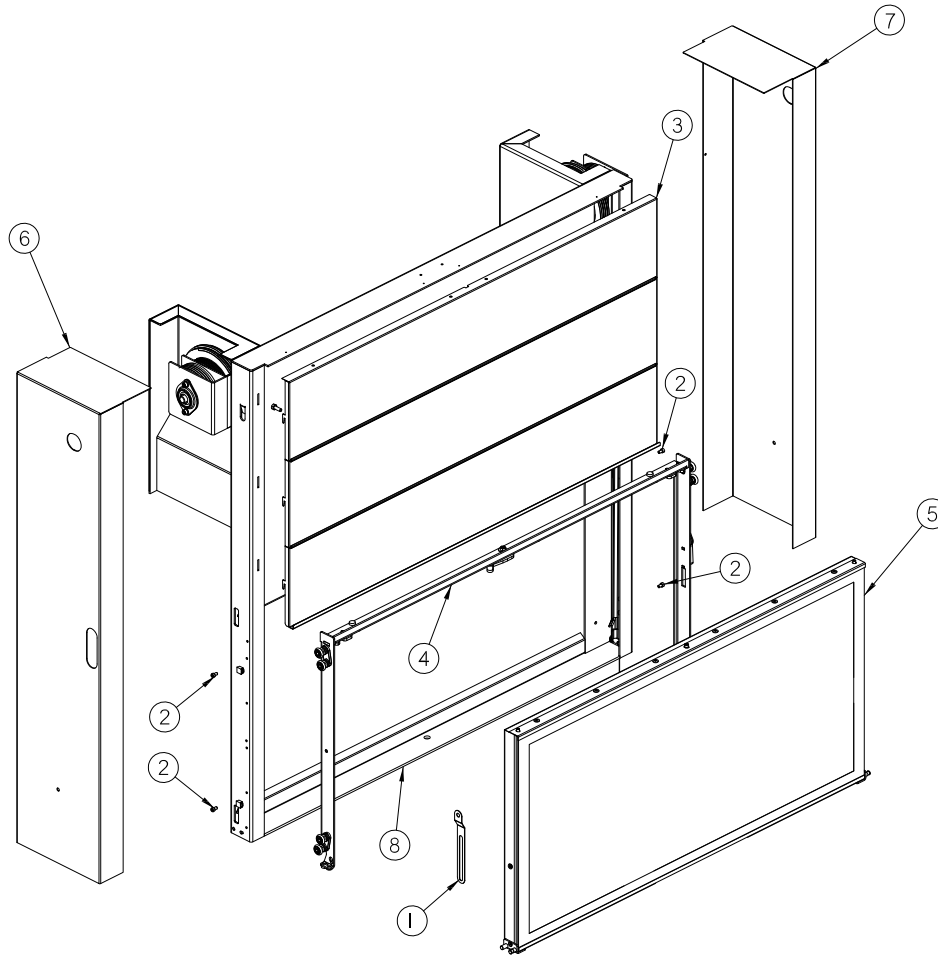


4.2.9. VARIA 2R-100h



pos.	name
1	weight shaft sheet
2	weight shaft sheet, inside
3	frame
4	slide
5	door

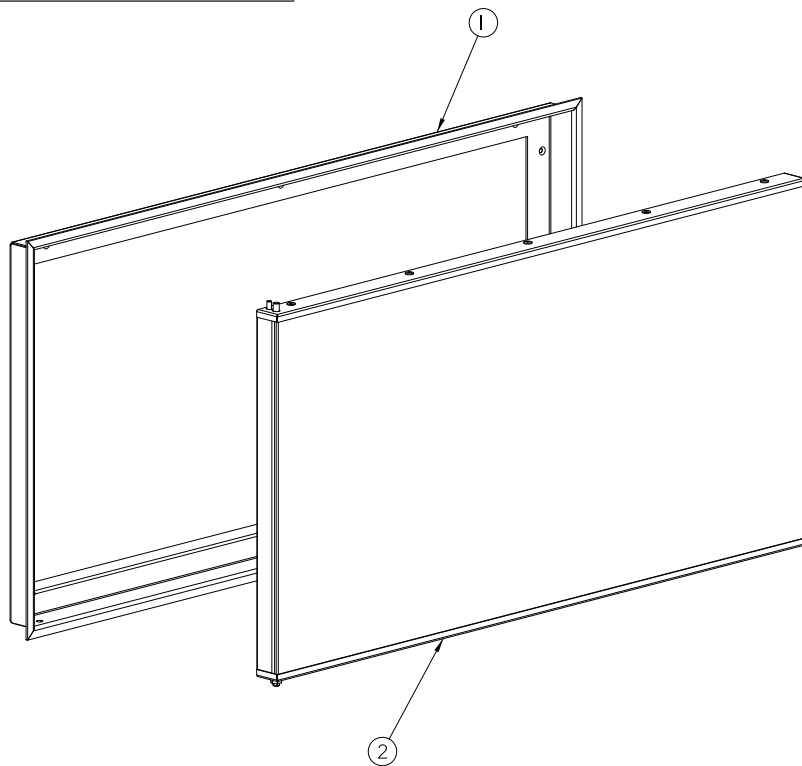
4.2.10. VARIA B-FDh FRONT



pos.	name
1	lever
2	cheese head cap screw M5x8
3	hood sheet
4	slide
5	door
6	weight shaft sheet, left
7	weight shaft sheet, right
8	cadre

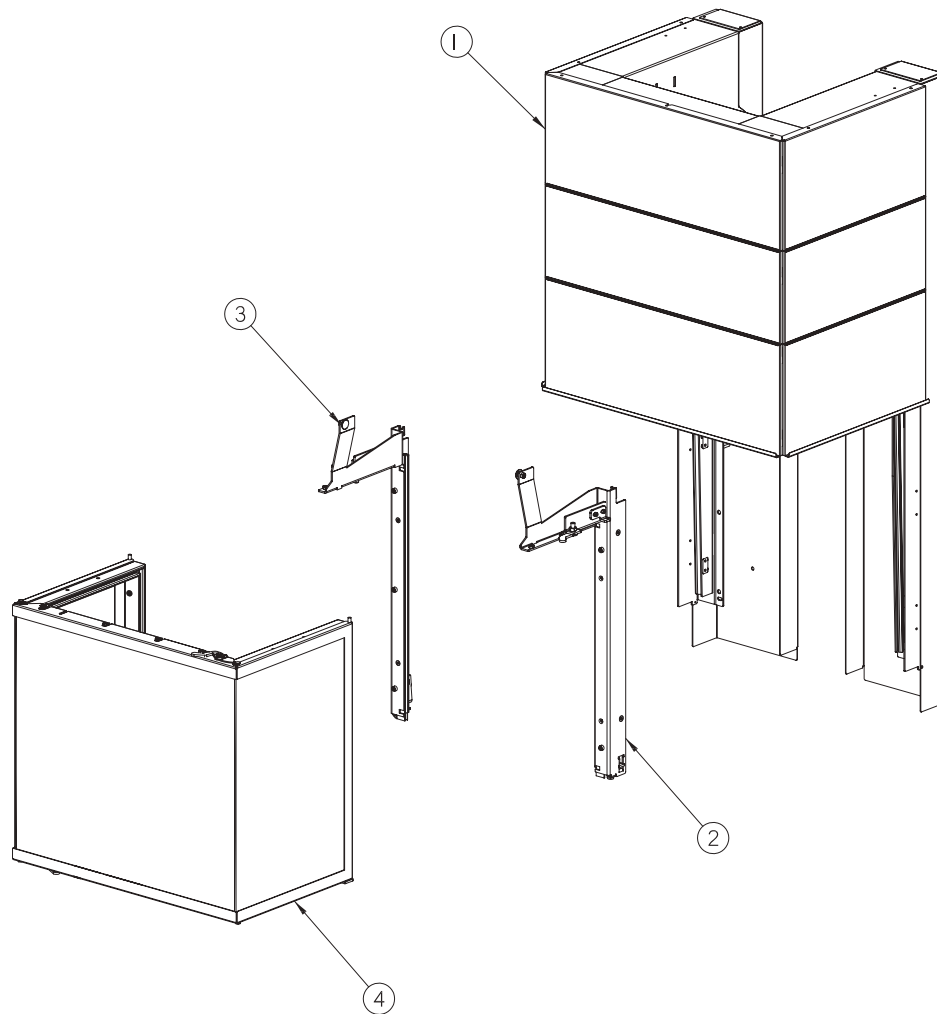
4.2.11. VARIA B-FDh BACK

pos.	name
1	frame
2	door



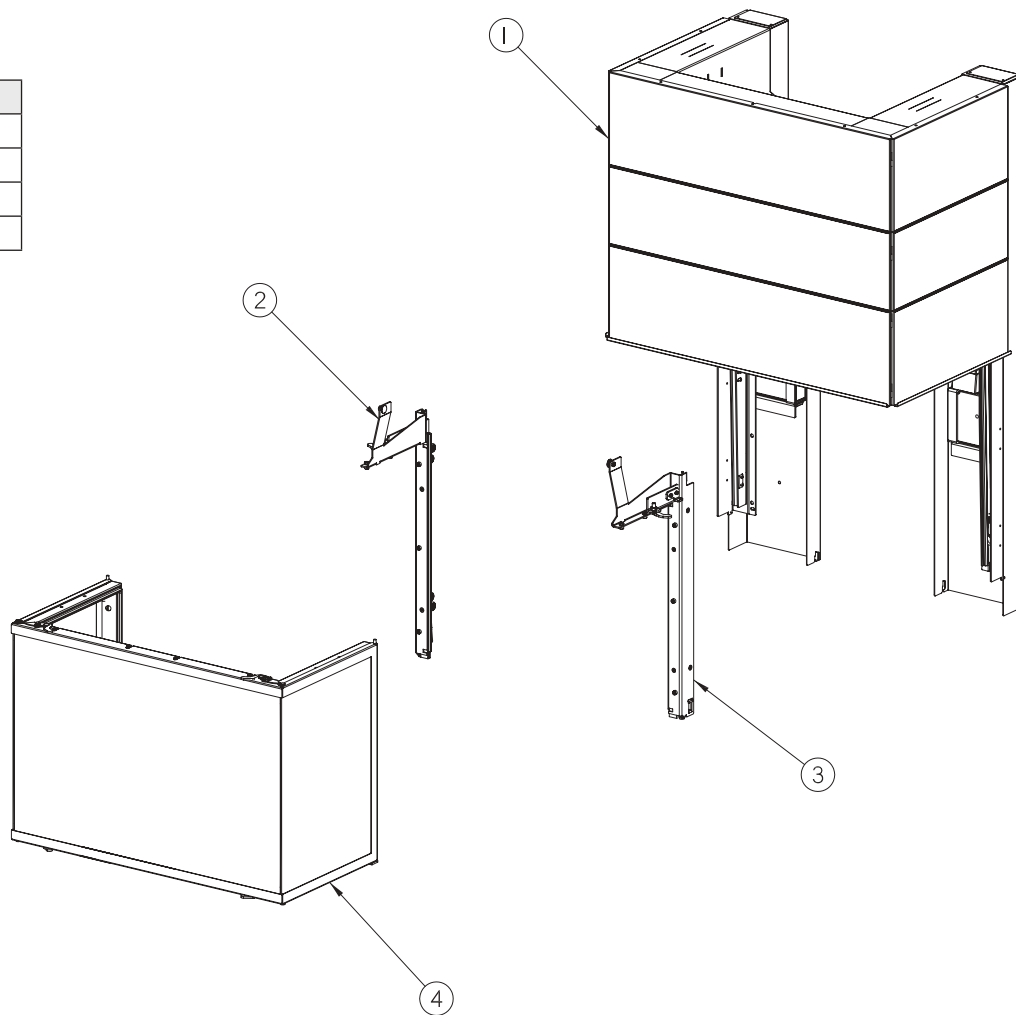
4.2.12. ARTE 3RL-60h

pos.	name
1	frame
2	slide, right
3	slide, left
4	door



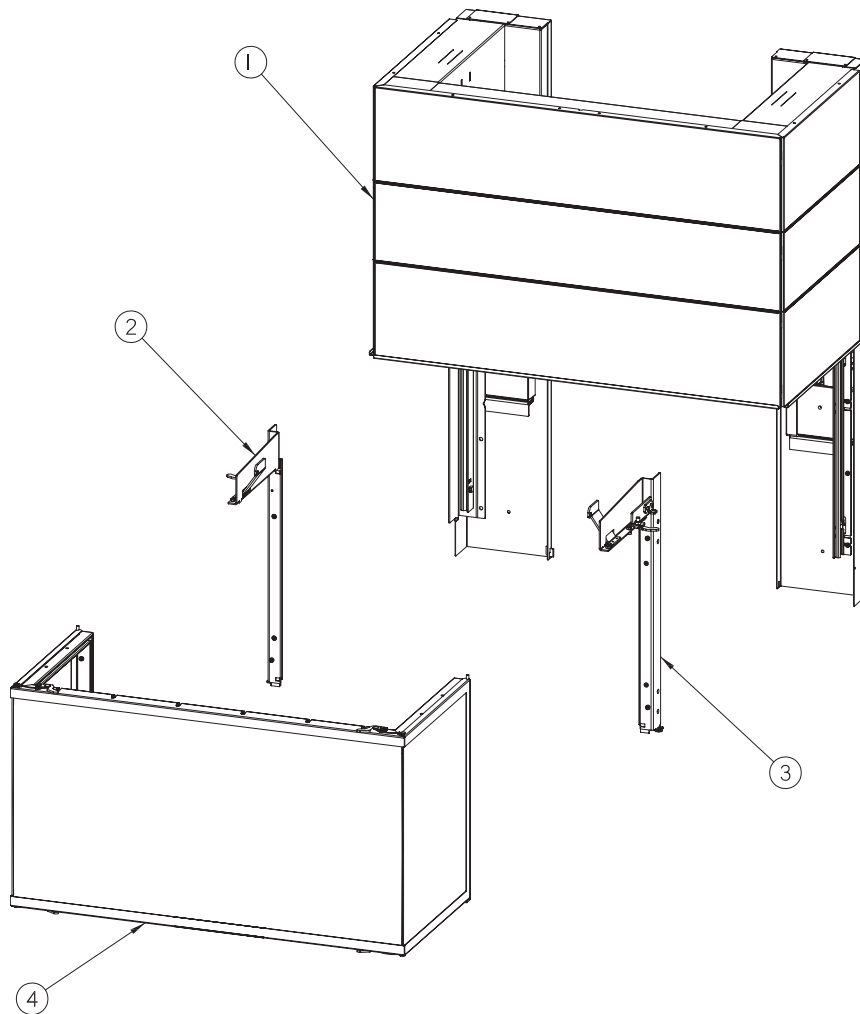
4.2.13. ARTE 3RL-80h

pos.	name
1	frame
2	slide, left
3	slide, right
4	door



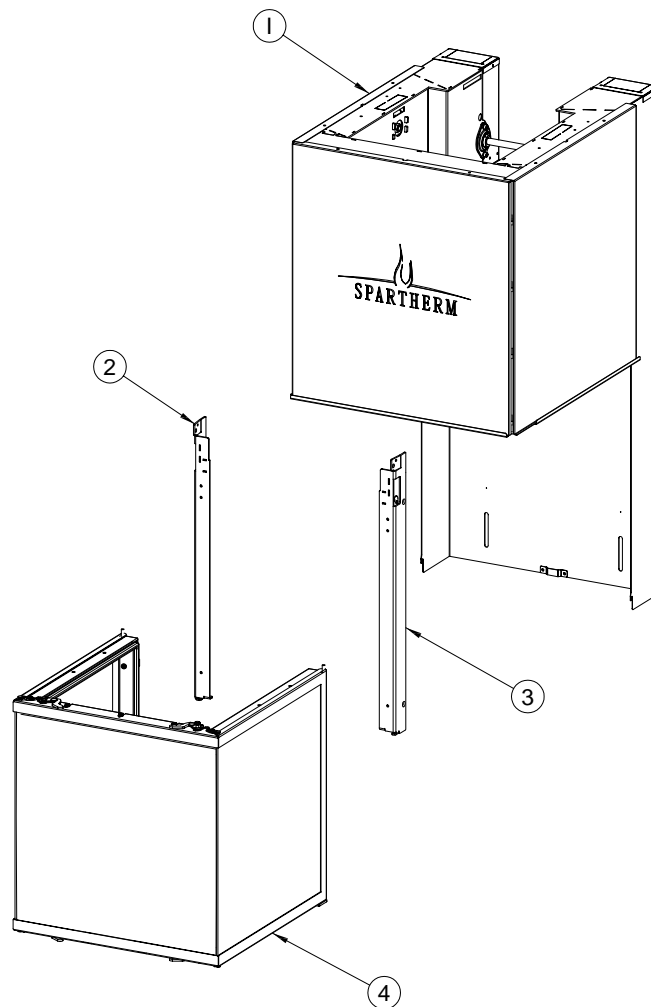
4.2.14. ARTE 3RL-100h

pos.	name
1	frame
2	slide, left
3	slide, right
4	door



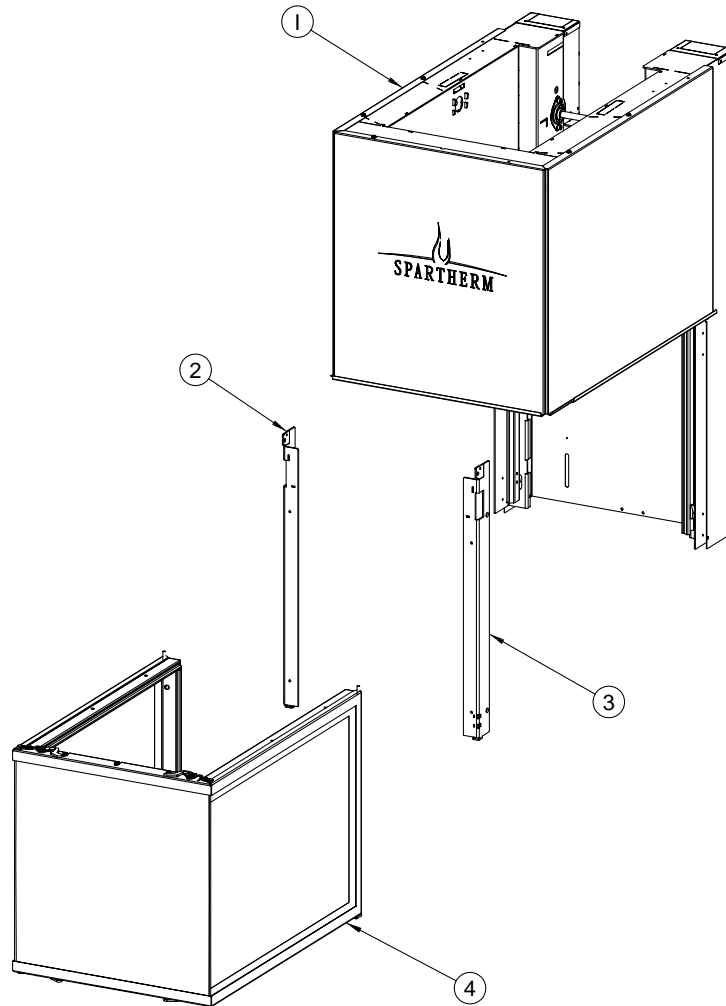
4.2.15. ARTE U-50h-2016

pos.	name
1	frame
2	slide, left
3	slide, right
4	door



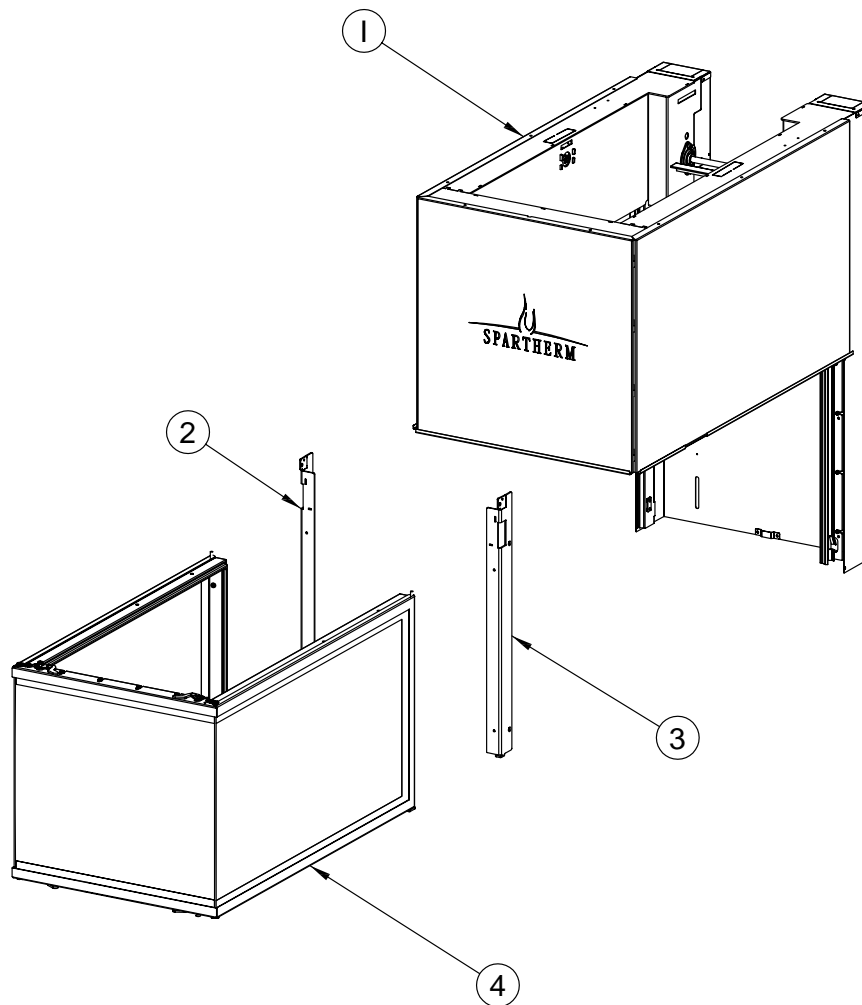
4.2.16. ARTE U-70h-2016

pos.	name
1	frame
2	slide, left
3	slide, right
4	door



4.2.17. ARTE U-90h-2016

pos.	name
1	frame
2	slide, left
3	slide, right
4	door



4.3. CHIMNEY INSTALLATION

This fireplace is designed and approved for installation with the following brands of chimneys measuring 8 and 10" (200 and 250mm) in diameter as well as a minimum of 15' (4,6m) and maximum of 45' (13,5m) in height.

4.3.1. LISTED CHIMNEYS

chimney manufacturer	brand	type	tested and listed to	inner diameter
Security chimney	Secure Temp S2100+	2" Solid Pack	ULC-S629M	8"
Oliver Macleod	Nova-Temp HT 6103+	2" Solid Pack	ULC-S604, ULC-S610	8"
Selkirk	Super Vent 2100 (JM)	2" Solid Pack	ULC-S629	8"
Selkirk	CF Sentinel (CF)	2" Solid Pack	ULC-S629	8"
M&G DuraVent	DuraPlus HTC	AC Triple Wall	ULC-S629, UL-103HT	8"
Security chimney	Secure Temp ASHT+	1" Solid Pack	ULC-S604, ULC-S610	10"
ICC chimney	RIS	1" Solid Pack	UL-103 HT	10"

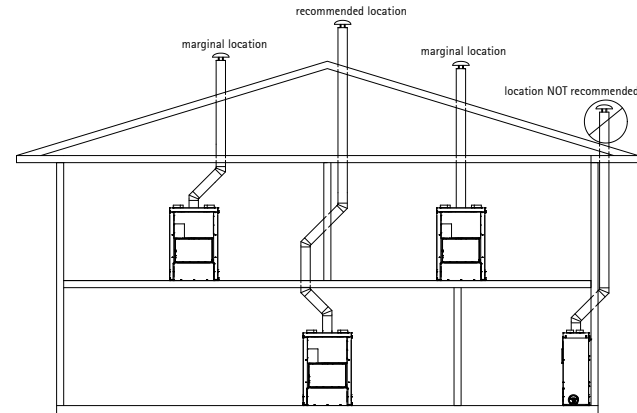
The anchor plate is not included with the unit. Use only a chimney certified as UL 103HT or ULC S-629

4.3.2. CHIMNEY INSTALLATION NOTES

No other device must be added to the chimney connected to the fireplace.

- All chimney installations must include at least one support. Reducing the amount of chimney weight on the fireplace will help avoid the noise created when the fireplace expands. This can be achieved by having the chimney supported by the supports. The maximum chimney length that should be supported by the fireplace is 9 ft. (2.75 m) for 2" Solid Pack Chimney and 12 ft. (3.7 m) for 1" Solid Pack Chimney.
- The chimney must extend at least 3 ft. (92 cm) above its point of contact with the roof and at least 2 ft. (61 cm) higher than any wall, roof or building within 10 ft. (3.1 m) of it.

- Deviations should be avoided whenever possible, especially the most pronounced. Each deviation adds some restriction to the chimney system and may lead to draft problems.
- If the chimney extends higher than 5 ft. (1.5 m) above its point of contact with the roof, it must be secured using a roof brace.
- A rain cap must be installed on top of the chimney. Failure to install a rain cap may cause corrosion problems.
- Cut and frame square holes in all floors, ceilings and roof that the chimney will go through to provide a 2" (51mm) minimum clearance between the chimney and any combustible materials. Do not fill this space with insulation or any other combustible material.
- Portions of the chimney which may extend through accessible spaces must be enclosed to avoid contact with combustible materials or damage the chimney.
- To limit creosote buildup, it is strongly recommended that an empty enclosure space be left between the chimney stack and the outer framing of the chimney. Make sure that at all points a minimum clearance of 2" (51 mm) separates the chimney and any combustible materials.



The table below shows the minimum height requirements, fireplace included, according to the number of elbows:

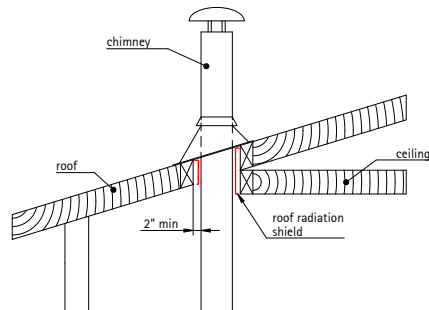
chimney	number of elbows	minimum height
straight installation	-	15' (4.6 m)
1 - 15° offset	2 - 15° elbows	15' (4.6 m)
2 - 15° offset	4 - 15° elbows	18' (5.5 m)
1 - 30° offset	2 - 30° elbows	15' (4.6 m)
2 - 30° offset	4 - 30° elbows	20' (6.1 m)
* 1 - 45° offset	* 2 - 45° elbows	16' (4.9 m)
* 2 - 45° offset	* 4 - 45° elbows	23' (7.0 m)

* permitted only in Canada

Refer to building code to make sure the installation seals the penetration of the building envelope or refer to the listed chimney installation manual.

4.3.3. CHIMNEY INSTALLATION INSTRUCTIONS

1. Cut and frame the holes in the ceiling, floor and roof where the chimney will pass and install radiation shields (see figure X). Use a plumb bob to line up the center of the holes. Make sure that the size of the floor and ceiling holes are in accordance with the chimney manufacturer's instructions.



2. From below, install a firestop supplied by the chimney manufacturer in each ceiling/floor separation through which the chimney will pass. At the attic level, install an attic radiation shield from above.

3. Follow the chimney's manufacturers' instructions and place the first chimney length on the fireplace. For all chimneys, you must use an anchor plate supplied by the chimney manufacturer before installing the first chimney length (see figure 24). Continue installing chimney lengths making sure to lock each length in place.

4. Every time the chimney passes through a ceiling or a wall, install the appropriate firestop. When you reach the desired height, install the roof support. (Refer to instructions included with the support).

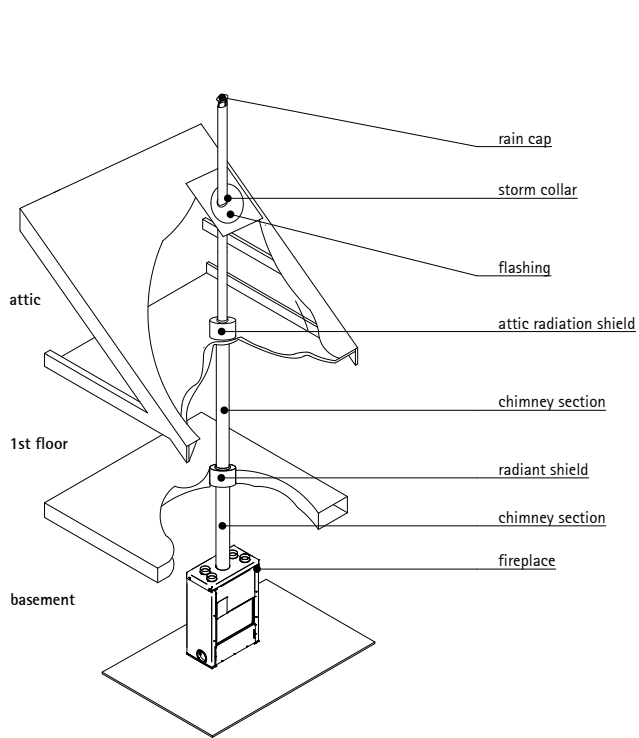
5. Then, put the roof flashing in place and seal the joint between the roof and the flashing with roofing pitch (see figures 24). For sloping roofs, place the flashing under the upper shingles and on top of the lower shingles. Nail the flashing to the roof, using roofing nails.

6. Place the storm collar over the flashing, and tighten it with the bolt supplied. Finally, seal the joint between the storm collar and the chimney, using silicone caulking.

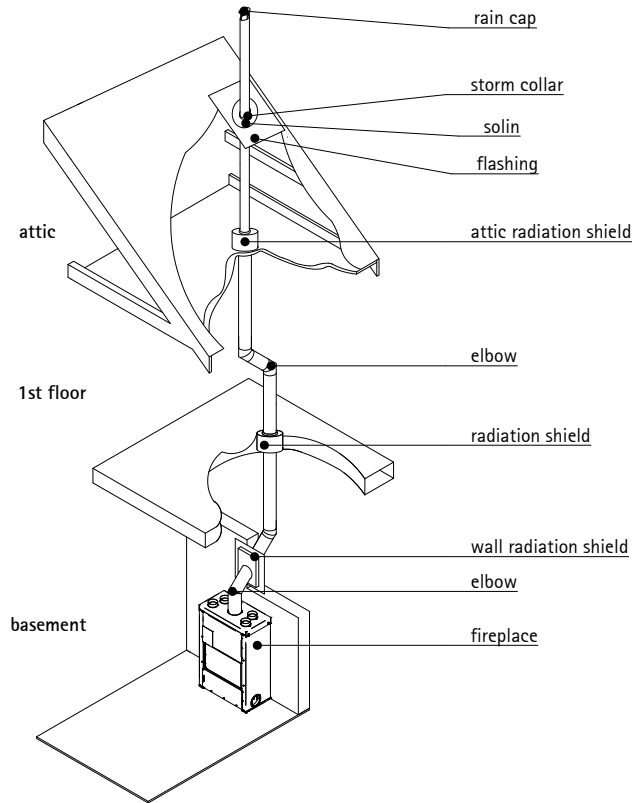
7. Install the chimney cap.

8. When a ventilated roof flashing is installed, precautions are to be taken not to caulk or seal the ventilating openings.

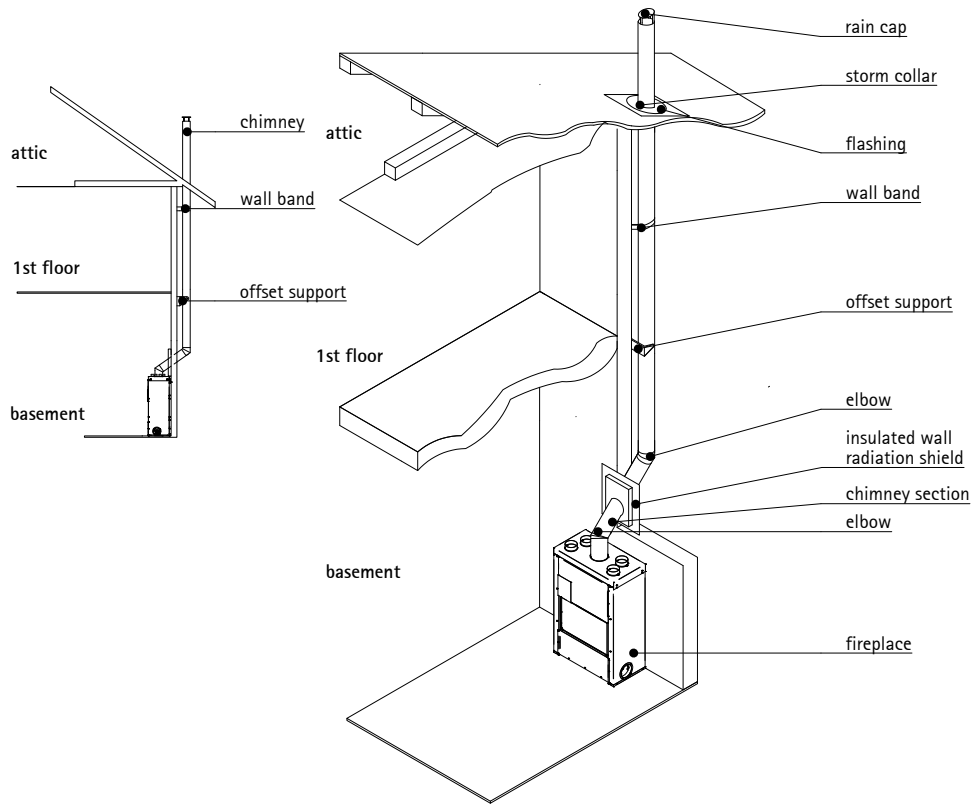
4.3.4. EXAMPLES OF TYPICAL INSTALLATIONS



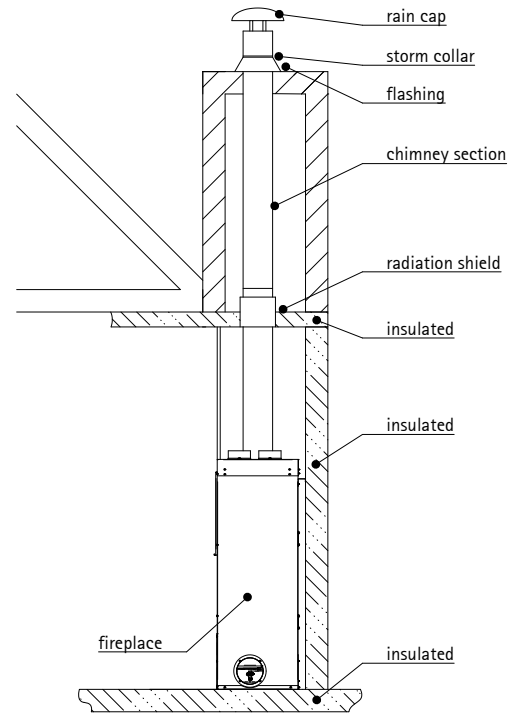
straight chimney installation



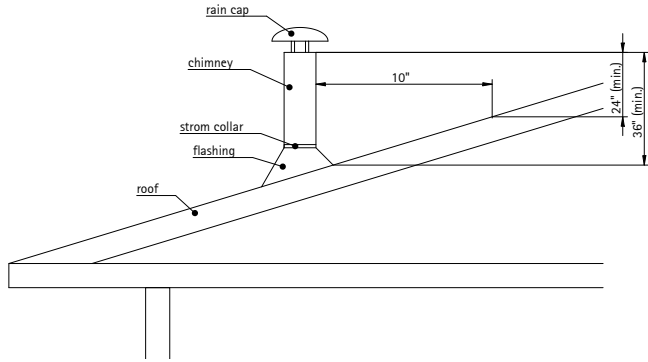
chimney with elbows installation



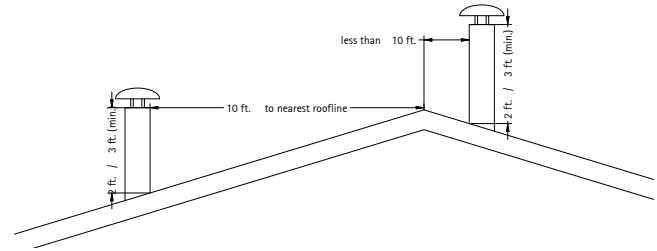
exterior chimney installation



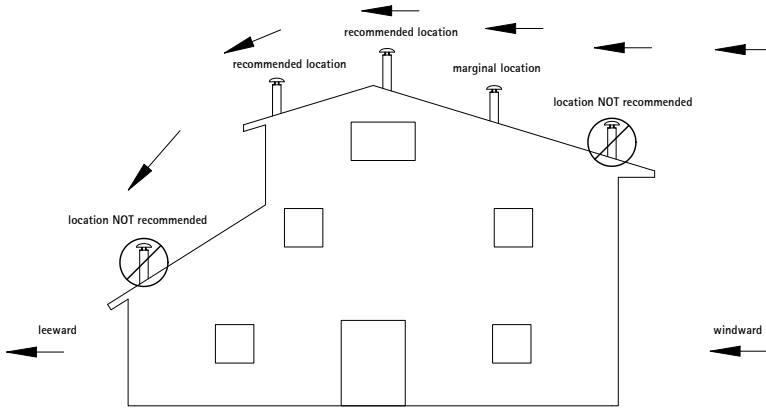
isolated chase chimney installation



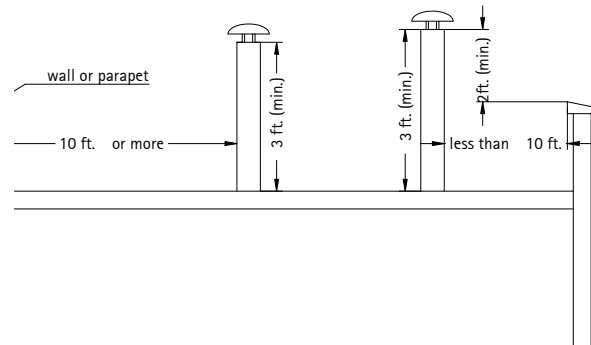
minimum chimney height



pitched roof



multi level roofs



flat roof

4.3.5. LIST OF MANDATORY COMPONENTS

Chimney Manufacturer	Components	Type / Brand	Part Number / Product Code
Selkirk	Must have rafter protectors at the roof level if the chimney is enclosed at the attic level	Super Vent 2100	JSC8RRS (8")
		CF Sentinel	
Security chimney	Rafter protector at the roof level if chimney is enclosed at the attic level	Secure Temp S2100+	Ref. 8RS (8")
		Secure Temp ASHT+	Ref. 8XRS (8")
			Ref. 10XRS (10")
	Requires insulated attic radiation shield unless chimney is enclosed at the attic level	Secure Temp S2100+	Ref. 8RSA2 (8")
		Secure Temp ASHT+	Ref. 8XRSA2 (8")
			Ref. 8XRSA2 (10")
M&G DuraVent	Roof radiation shield	DuraPlus HTC	Order No. (8"): 8DT-RRS Stock No. (8"): 810000264
	Attic insulation shield		Order No. (8"): 8DT-IS Stock No. (8"): 810000263

4.4. MASONRY

4.4.1. TYPICAL EXISTING MASONRY



DO NOT CONNECT THIS APPLIANCE TO A CHIMNEY FLUE SERVING ANOTHER APPLIANCE. DO NOT CONNECT TO ANY AIR DISTRIBUTION DUCT OR SYSTEM.

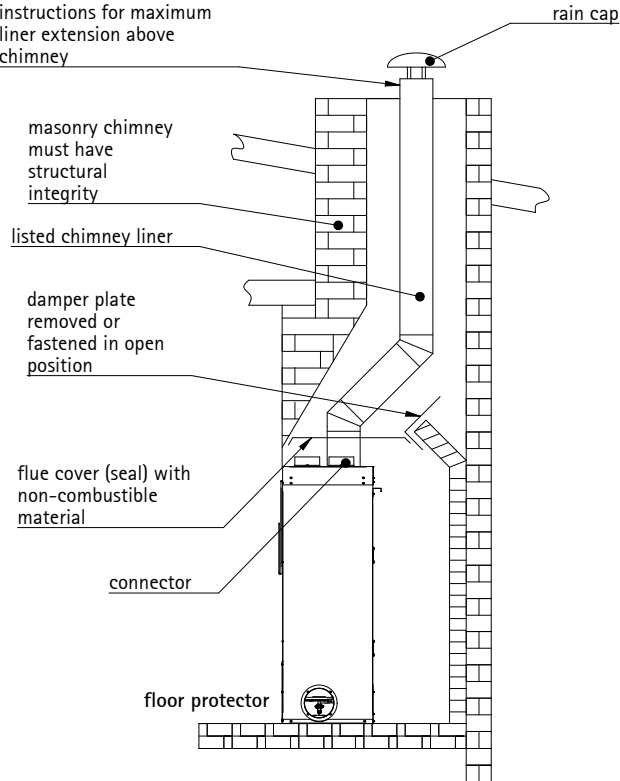
You can install your appliance using your existing masonry chimney. To do so, follow the guidelines below. If you are using a masonry chimney, it is important that it be built in compliance with the specifications of the Building Code in your region. It must normally be lined with fire clay bricks, metal or clay tiles sealed together with fire cement. (Round flues are the most efficient).

Remove the fireplace damper or fasten it permanently open. We recommend the following method of sealing off the damper area around the liner:

Measure the throat of the fireplace and mark this shape on a piece of 24 gauge sheet metal (flue cover); cut a six-inch (6 3/4" / 171mm) hole to lie directly below the fireplace flue opening. Allow two inches of material for a flange on all sides and cut to these measurements. Bend down the flanges. If you have never done this before, it might be a good idea to make a cardboard pattern and test it first. Fasten this flue cover in position as high as possible with two masonry screws per side through the flanges into the fireplace.

In Canada: Install flexible stainless steel liner from the top of the chimney to the insert flue collar. Attach a stainless steel liner connector or elbow to

follow manufacturer's instructions for maximum liner extension above chimney



the liner and insert onto the flue collar. Fasten with three screws. Secure the top of the liner to the chimney cap using a liner support and chimney flashing. Cap the top of the chimney liner assembly using an approved rain cap.

In the United States: While it is not required, it is recommended that a chimney liner be installed that is continuous from the insert to the top of the chimney, particularly when the insert is installed in a basement. For this type of connection, use the "In Canada" installation instructions above. If a continuous liner is not installed, a "direct flue connection" must be made. The direct flue connection requires a non-combustible connector that extends from the insert into the chimney flue liner and also that the installed flue cover be sealed below the entry point of the connector to prevent dilution of combustion products in the chimney flue with air from inside the house. Cap the top of the chimney using an approved rain cap.

4.4.2. FACTORY BUILT FIREPLACE

The following installation requirements must be observed when installing solid fuel burning inserts into factory built fireplaces.

- A.** The factory built fireplace must be listed per UL 127 or ULC S610.
- B.** Clearances to any combustible material surrounding this insert as identified must be followed. These clearance requirements supersede any pre-existing facing material clearances listed for the factory built fireplace.
- C.** Installation must include a full height listed chimney liner meeting HT requirements (2100°F/1149°C) as required in UL 1777 (U.S.) or ULC S635 (Canada). The liner must be securely attached to the insert flue collar and the chimney top.
- D.** Means must be provided to prevent room air passage to the chimney

cavity of the fireplace. This may be accomplished by sealing the damper area around the chimney liner, or sealing the appliance front.

- E.** The air flow within and around the appliance shall not be altered by the installation of the insert (i.e. no louvres or cooling air inlet or outlet ports are blocked), unless specifically tested as such for each factory built fireplace manufacturer and model line. **NOTE: Using a louvered face plate (surround) complies with this requirement.**
- F.** Alteration of the appliance in any manner is not permitted with the following exceptions;
 - 1.** External trim pieces which do not affect the operation of the appliance may be removed providing they can be stored on or within the fireplace for reassembly if the insert is removed.
 - 2.** The chimney damper may be removed to install the chimney liner.
- G.** Circulating air chambers (i.e. in a steel fireplace liner or metal heat circulator) shall not be blocked.
- H.** Means must be provided for removal of the insert to clean the chimney flue.
- I.** Inserts that project in front of the fireplace must be supplied with appropriate support means.
- J.** A permanent metal warning label must be attached to the back of the fireplace stating that the fireplace must be restored to its original condition for safe use without the insert.

4.5. CONVECTION

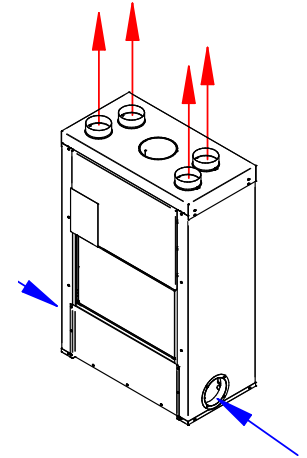
Spartherm stoves are convection stoves. Convection means that there is a circulation of air, which ensures that the heat is distributed more evenly throughout the entire room (see drawing). The **cold air (blue arrows)** is drawn in at the base of the stove, then moved up through the convection channel, which runs along the stove's combustion chamber.

The **heated air (red arrows)** pours out at the top of the stove, which ensures a circulation of warm air throughout the room. Note, however, that all exterior surfaces become hot during use – so take extreme care. Use the insert optimally.

By installing hot air nozzles and flexible hoses (or similar) on top of the stove, it is possible to “distribute” the heat to other rooms.

Consider the placement of convection air inlet and outlet holes. Ensure that the holes are not blocked from the outside. There may be discoloration of the wall above the stove doors, and above the convection air outlet holes. This is due to the ascending hot air Spartherm accepts no liability for installation or consequential damages.

Models should be installed only with Spartherm provided convection air kits.



4.5.1. MINIMUM CLEARANCES TO COMBUSTIBLES FOR CONVECTION AIR GRILLS

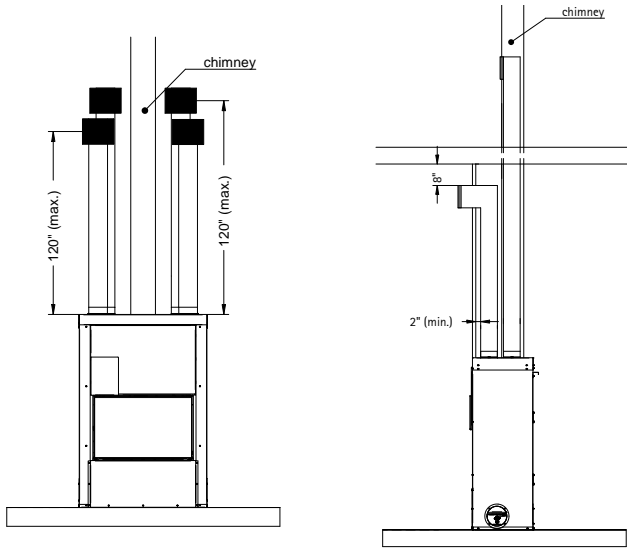
Connect at least 4 gravity outlets 6 inch diameter to the convection air outlet ports.

Exceptions: Arte 3RL60h and Arte U-50h: only connect 2 gravity outlets 6 inch diameter.

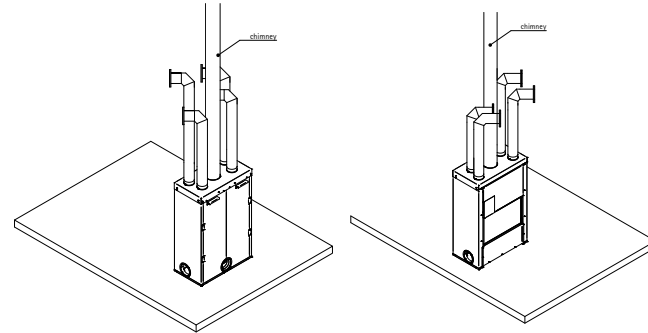
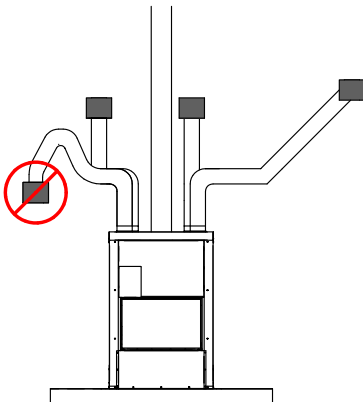
The minimum distance between the convection air grills the ceiling and combustibles is 6.5 inch.

Do only use non combustible materials 6 inch surrounding the convection air grills.

4.6. HEAT DISTRIBUTION SYSTEMS



For installation use flexible aluminium liner with 1 inch insulation.



Gravity Distribution Kit

The Gravity Distribution Kit may be used to heat rooms located above, behind and either side of the room where the fireplace is located. Note that, if the hot air outlets are located at various levels, the heat will tend to seek the one at the highest level. It is not permitted to connect two ducts together.

5. FINISHING

5.1. BRICKS AND BAFFLES INSTALLATION

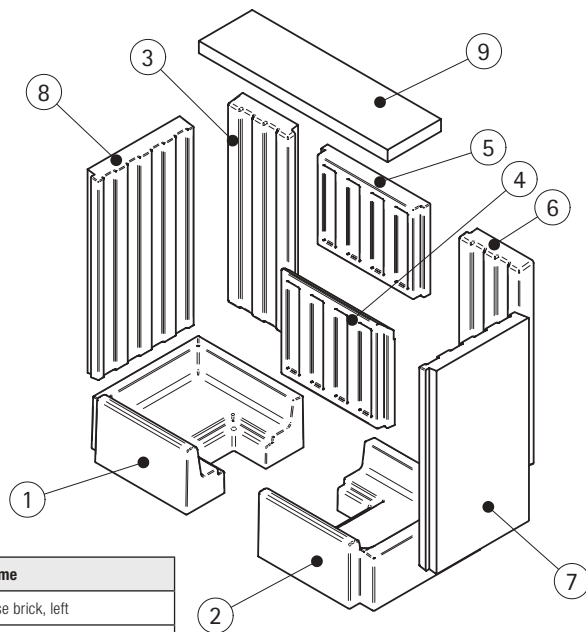


OPERATION OF THE APPLIANCE WITHOUT THE BAFFLES CAN RESULT IN EXCESSIVE TEMPERATURES THAT COULD DAMAGE THE APPLIANCE, CHIMNEY AND THE SURROUNDING ENCLOSURE.

NOTE: DO NOT OPERATE IF BAFFLE AND MANIFOLD SHIELD ARE NOT IN POSITION.

5.1.1. VARIA M-60h

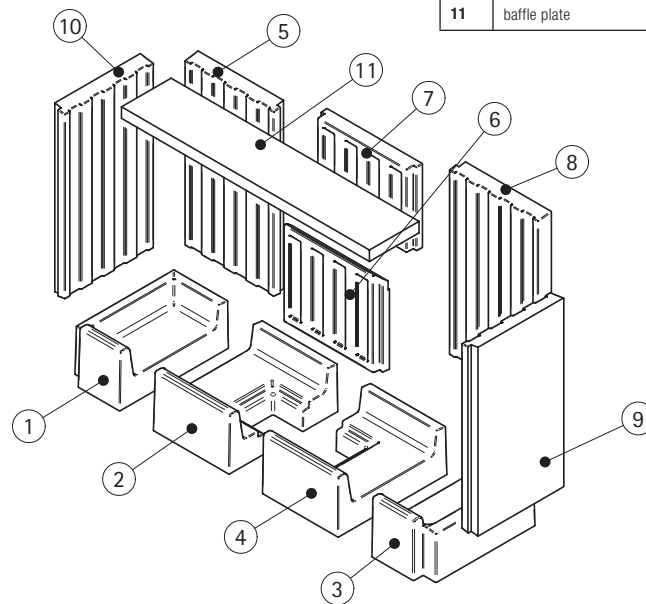
Chamotte must be assembled strictly in numerical order!



pos.	name
1	base brick, left
2	base brick, right
3	rear wall brick, left
4	rear wall brick, middle bottom
5	rear wall brick, middle top
6	rear wall brick, right
7	side wall brick, right
8	side wall brick, left
9	affle plate

5.1.2. VARIA M-80h

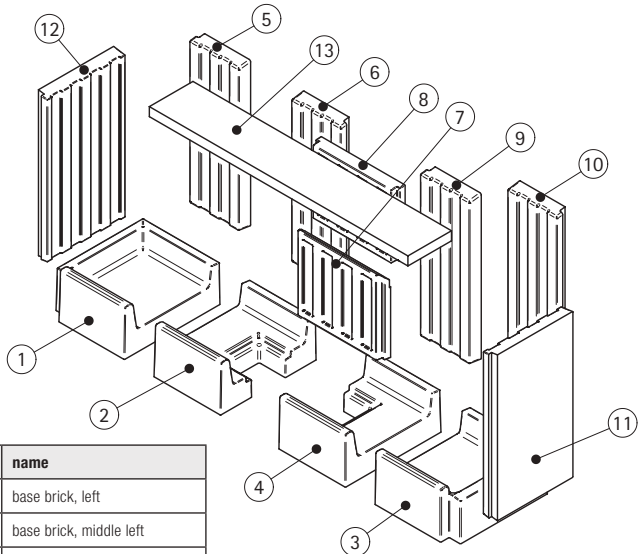
Chamotte must be assembled strictly in numerical order!



pos.	name
1	base brick, left
2	base brick, middle left
3	base brick, right
4	base brick, middle right
5	rear wall brick, left
6	rear wall brick, middle bottom
7	rear wall brick, middle top
8	rear wall brick, right
9	side wall brick, right
10	side wall brick, left
11	affle plate

5.1.3. VARIA M-100h

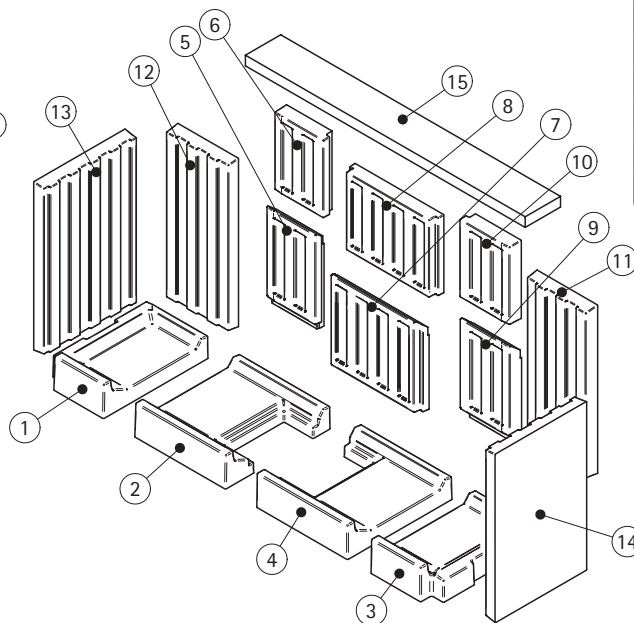
Chamotte must be assembled strictly in numerical order!



pos.	name
1	base brick, left
2	base brick, middle left
3	base brick, right
4	base brick, middle right
5	rear wall brick, left
6	rear wall brick, middle left top
7	rear wall brick, middle bottom
8	rear wall brick, middle top
9	rear wall brick, middle right bottom
10	rear wall brick, middle right top
11	side wall brick, right
12	side wall brick, left
13	baffle plate

5.1.4. VARIA Bh

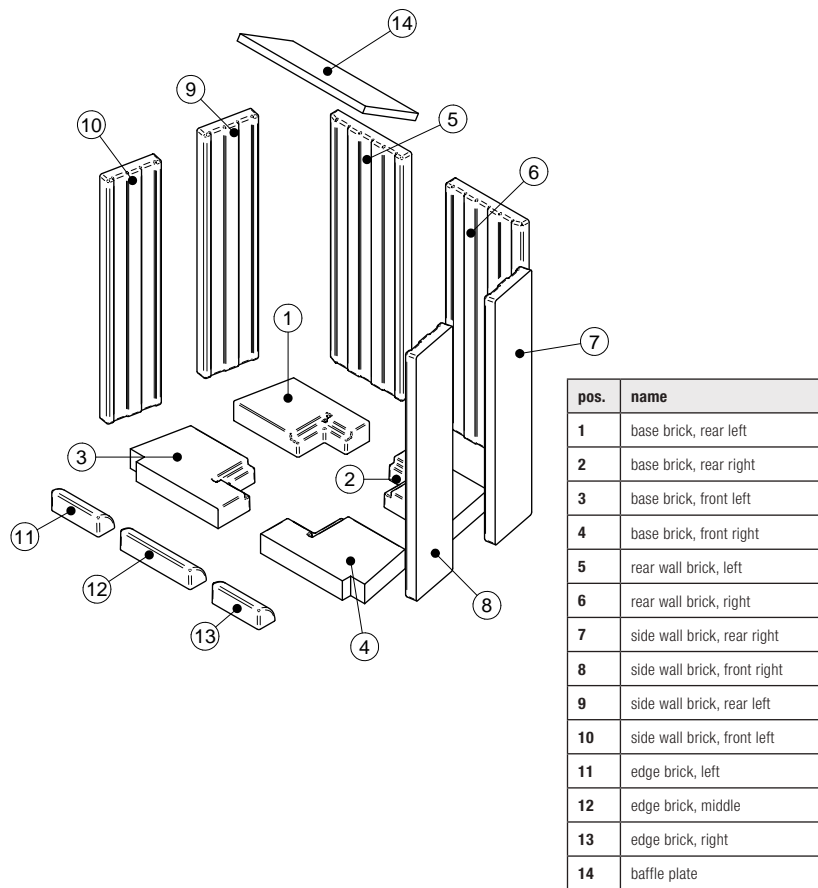
Chamotte must be assembled strictly in numerical order!



pos.	name
1	base brick, left
2	base brick, middle left
3	base brick, right
4	base brick, middle right
5	rear wall brick, middle left bottom
6	rear wall brick, middle left top
7	rear wall brick, middle bottom
8	rear wall brick, middle top
9	rear wall brick, middle right bottom
10	rear wall brick, middle right top
11	rear wall brick, right
12	rear wall brick, left
13	side wall brick, left
14	side wall brick, right
15	baffle plate

5.1.5. ARTE Bh

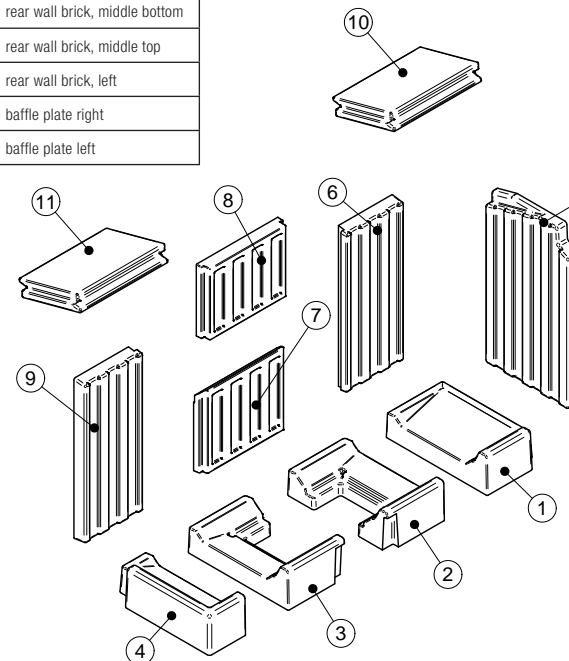
Chamotte must be assembled strictly in numerical order!



5.1.6. VARIA 2L-80h

Chamotte must be assembled strictly in numerical order!

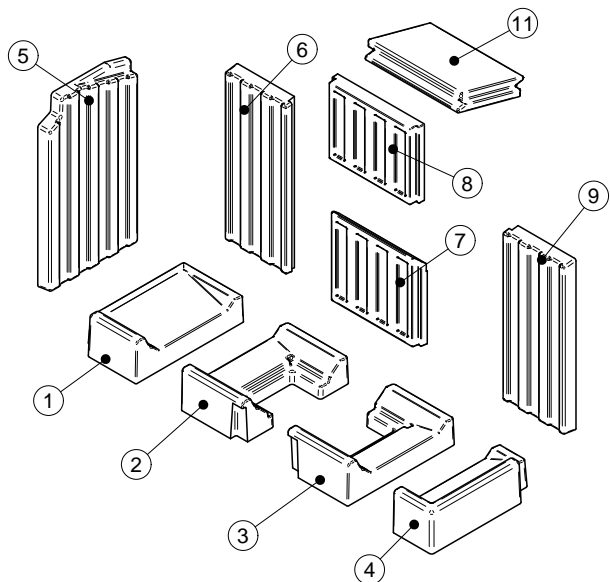
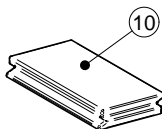
pos.	name
1	base brick, right
2	base brick, middle right
3	base brick, middle left
4	base brick, left
5	side wall brick, right
6	rear wall brick, right
7	rear wall brick, middle bottom
8	rear wall brick, middle top
9	rear wall brick, left
10	baffle plate right
11	baffle plate left



5.1.7. VARIA 2R-80h

Chamotte must be assembled strictly in numerical order!

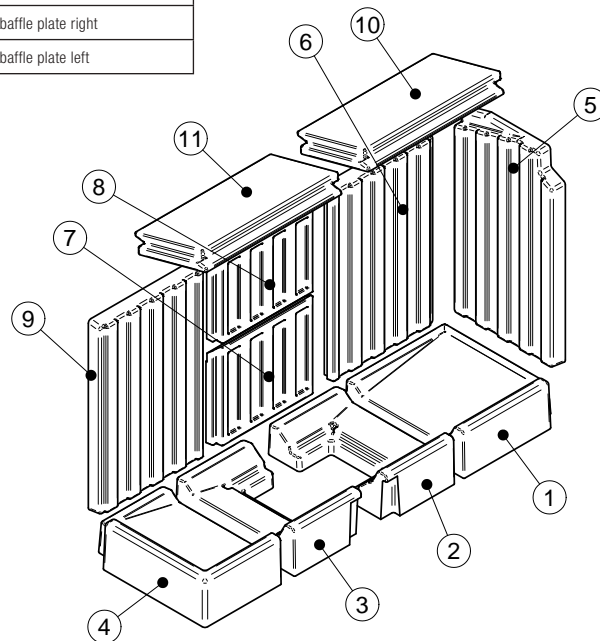
pos.	name
1	base brick, left
2	base brick, middle left
3	base brick, middle right
4	base brick, right
5	side wall brick, left
6	rear wall brick, left
7	rear wall brick, middle bottom
8	rear wall brick, middle top
9	rear wall brick, right
10	affle plate left
11	affle plate right



5.1.8. VARIA 2L-100h

Chamotte must be assembled strictly in numerical order!

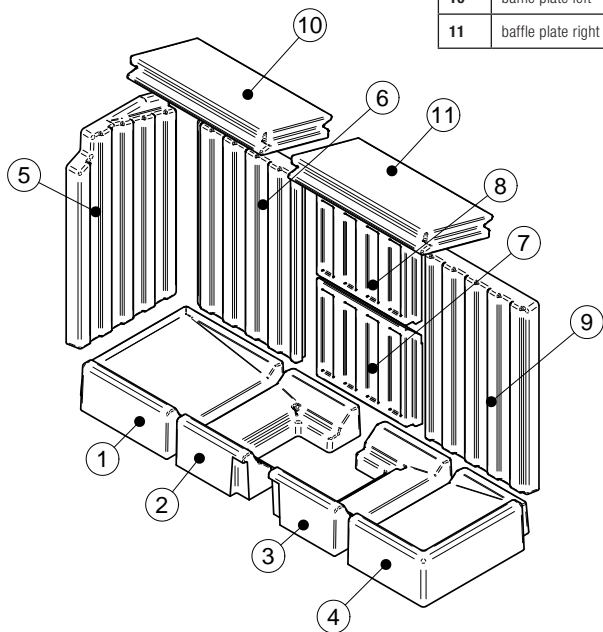
pos.	name
1	base brick, right
2	base brick, middle right
3	base brick, middle left
4	base brick, left
5	side wall brick, right
6	rear wall brick, right
7	rear wall brick, middle bottom
8	rear wall brick, middle top
9	rear wall brick, left
10	affle plate right
11	affle plate left



5.1.9. VARIA 2R-100h

Chamotte must be assembled strictly in numerical order!

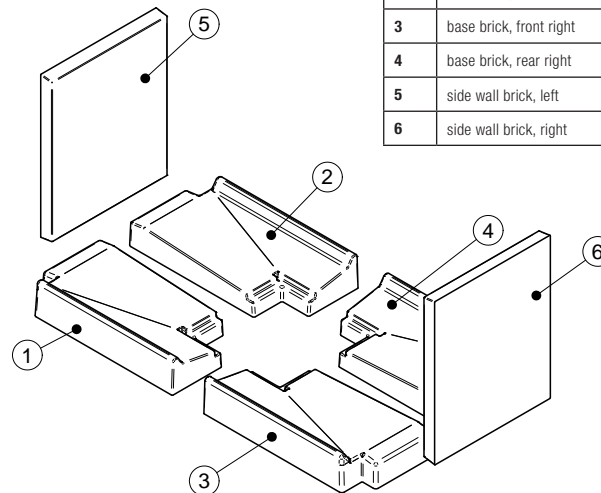
pos.	name
1	base brick, left
2	base brick, middle left
3	base brick, middle right
4	base brick, right
5	side wall brick, left
6	rear wall brick, left
7	rear wall brick, middle bottom
8	rear wall brick, middle top
9	rear wall brick, right
10	baffle plate left
11	baffle plate right



5.1.10. VARIA B-FDh

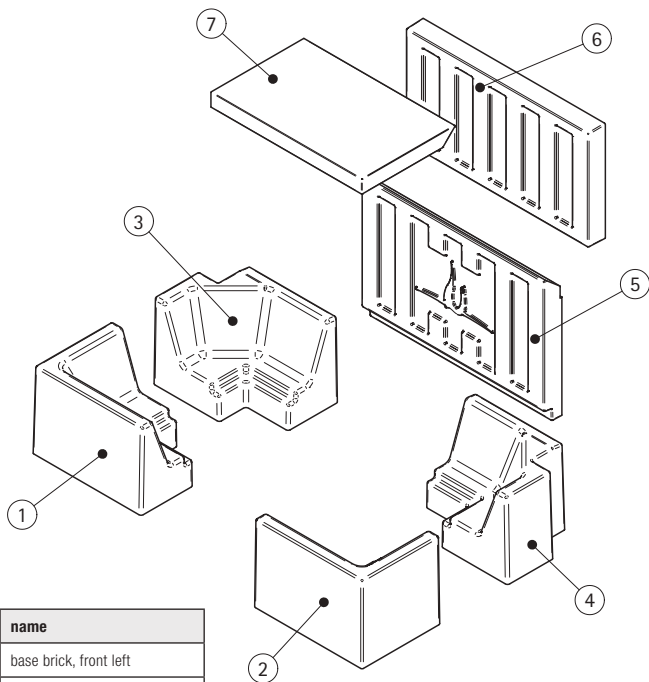
Chamotte must be assembled strictly in numerical order!

pos.	name
1	base brick, front left
2	base brick, rear left
3	base brick, front right
4	base brick, rear right
5	side wall brick, left
6	side wall brick, right



5.1.11. ARTE 3RL-60h

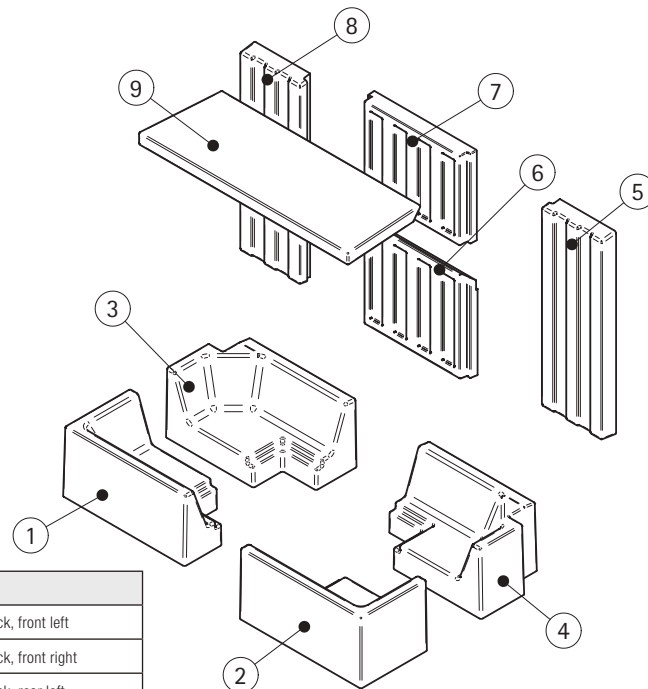
Chamotte must be assembled strictly in numerical order!



pos.	name
1	base brick, front left
2	base brick, front right
3	base brick, rear left
4	base brick, rear right
5	rear wall brick, bottom
6	rear wall brick, top
7	baffle plate

5.1.12. ARTE 3RL-80h

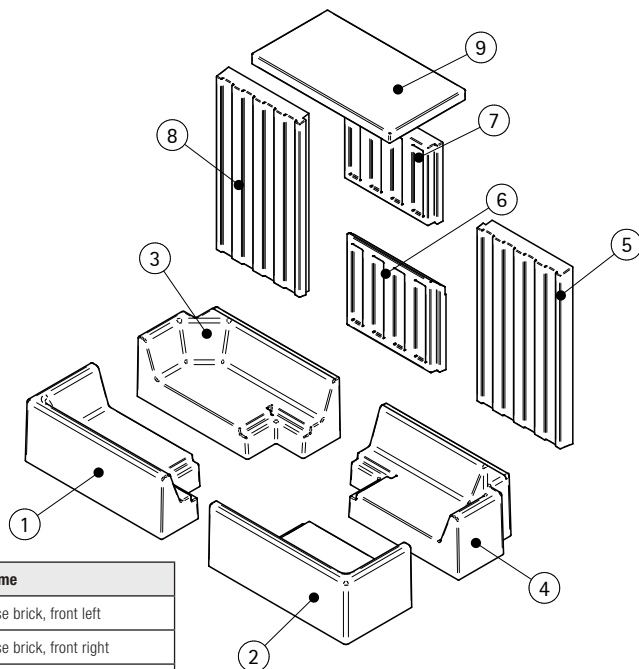
Chamotte must be assembled strictly in numerical order!



pos.	name
1	base brick, front left
2	base brick, front right
3	base brick, rear left
4	base brick, rear right
5	rear wall brick, right
6	rear wall brick, bottom
7	rear wall brick, top
8	rear wall brick, left
9	baffle plate

5.1.13. ARTE 3RL-100h

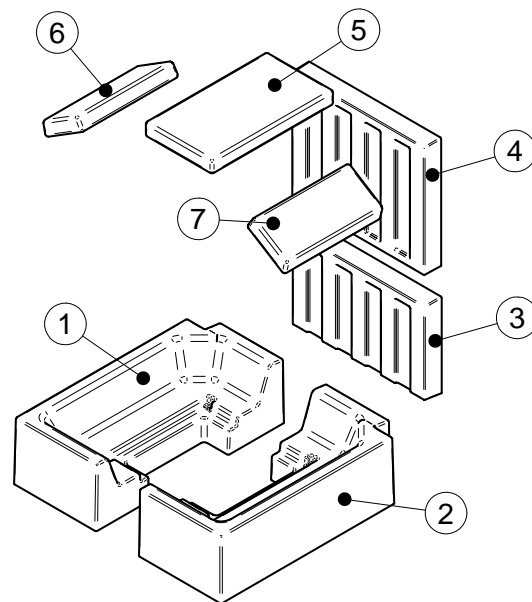
Chamotte must be assembled strictly in numerical order!



pos.	name
1	base brick, front left
2	base brick, front right
3	base brick, rear left
4	base brick, rear right
5	rear wall brick, right
6	rear wall brick, bottom
7	rear wall brick, top
8	rear wall brick, left
9	baffle plate

5.1.14. ARTE U-50h-2016

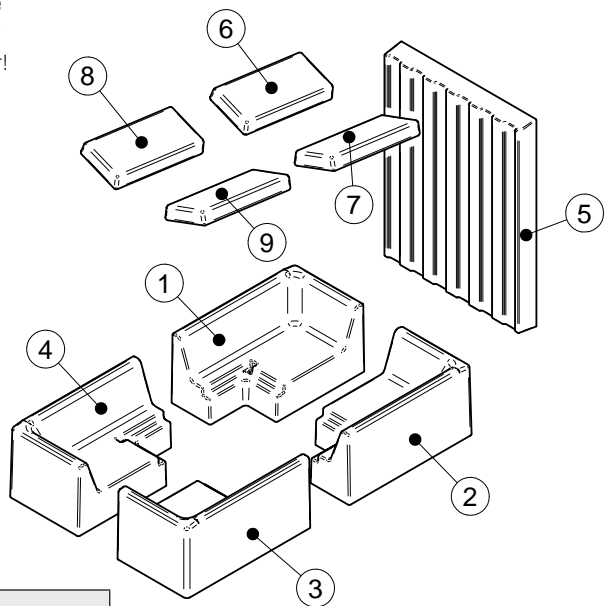
Chamotte must be assembled strictly in numerical order!



pos.	name
1	base brick, left
2	base brick, right
3	rear wall brick, bottom
4	rear wall brick, top
5	baffle plate, center
6	baffle plate, left
7	baffle plate, right

5.1.15. ARTE U-70h-2016

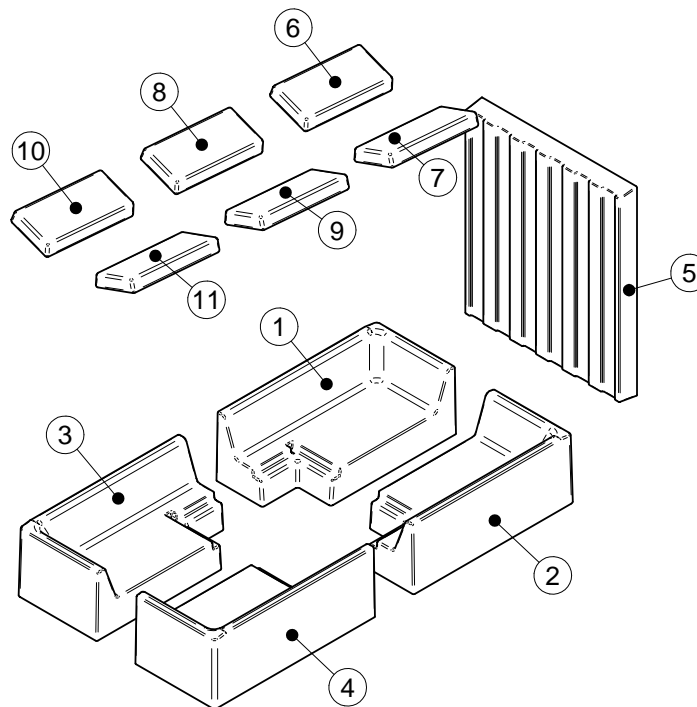
Chamotte must be assembled strictly in numerical order!



pos.	name
1	base brick, rear left
2	base brick, rear right
3	base brick, front right
4	base brick, front left
5	rear wall brick
6	baffle plate, rear left
7	baffle plate, rear right
8	baffle plate, front left
9	baffle plate, front right

5.1.16. ARTE U-90h-2016

Chamotte must be assembled strictly in numerical order!



pos.	name
1	base brick, rear left
2	base brick, rear right
3	base brick, front left
4	base brick, front right
5	rear wall brick
6	baffle plate, rear left
7	baffle plate, rear right
8	baffle plate, center left
9	baffle plate, center right
10	baffle plate, front left
11	baffle plate, front right

5.2. DOOR REMOVAL / INSTALLATION

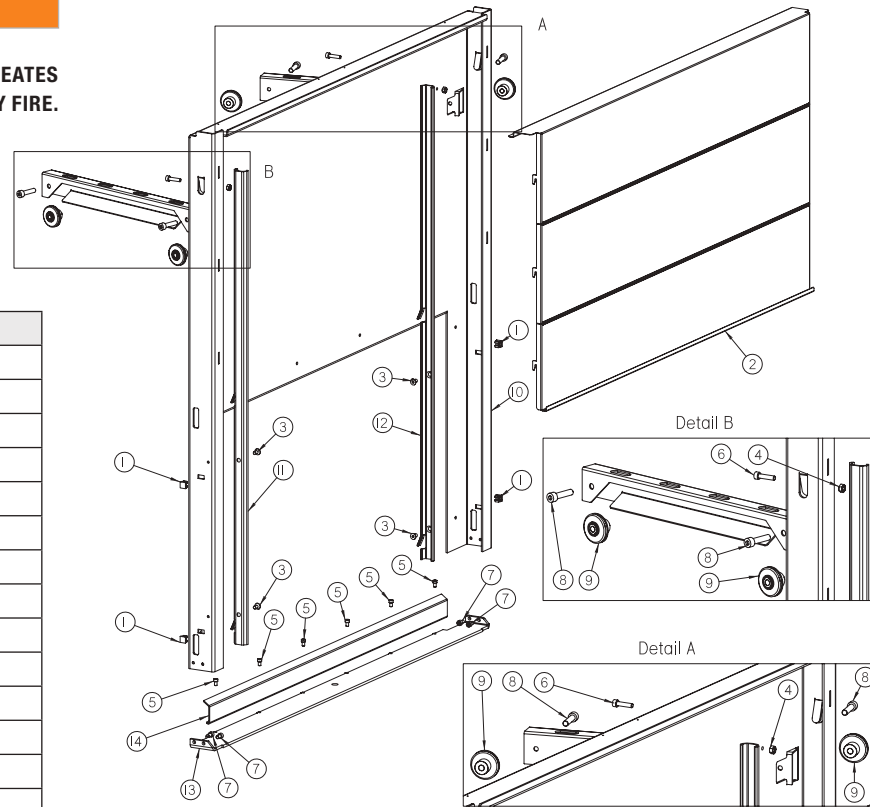
WARNING

BURNING YOUR APPLIANCE WITH THE DOORS OPEN OR AJAR CREATES A FIRE HAZARD THAT MAY RESULT IN A HOUSE AND/OR CHIMNEY FIRE.

DO NOT STRIKE OR SLAM DOOR.

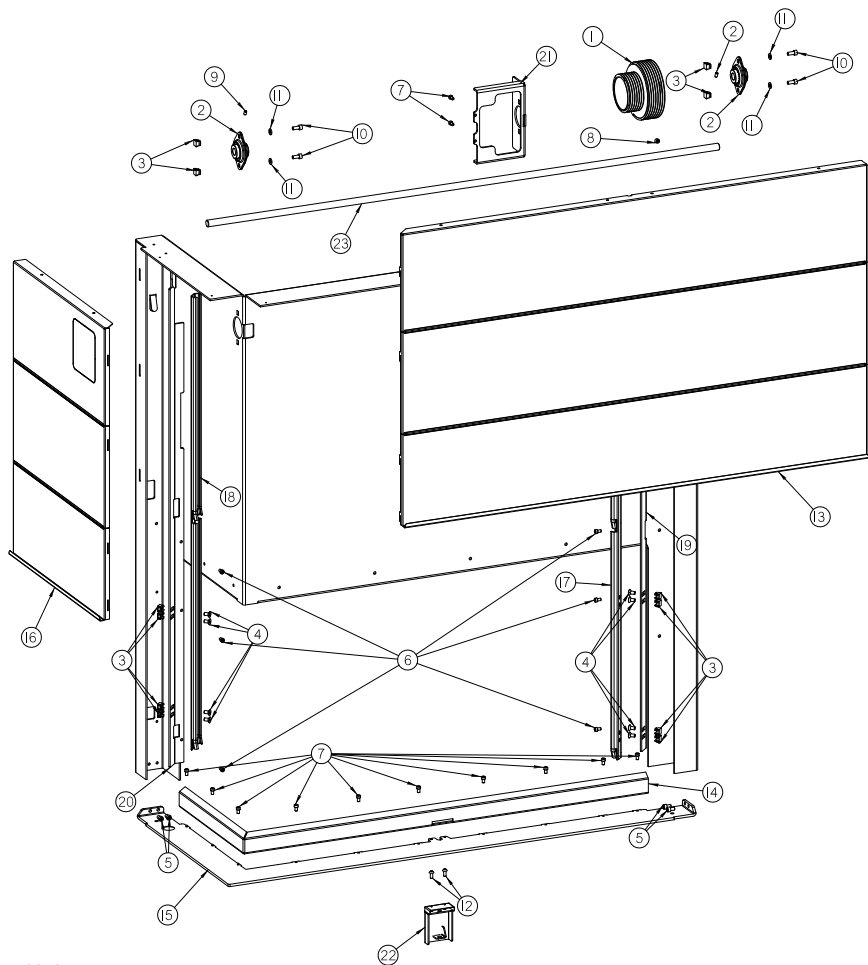
NEVER REMOVE THE DOOR WHEN THE APPLIANCE IS HOT.

pos.	name
1	cage nut M6
2	hood sheet
3	hexagon bolt M6x12
4	hexagon nut M6
5	cheese head cap screw M5x8
6	cheese head cap screw M6x25
7	cheese head cap screw M6x10
8	cheese head cap screw M8x35
9	pulley
10	door frame sheet
11	guide bar, left
12	guide bar, right
13	door frame sheet, bottom
14	air guide sheet



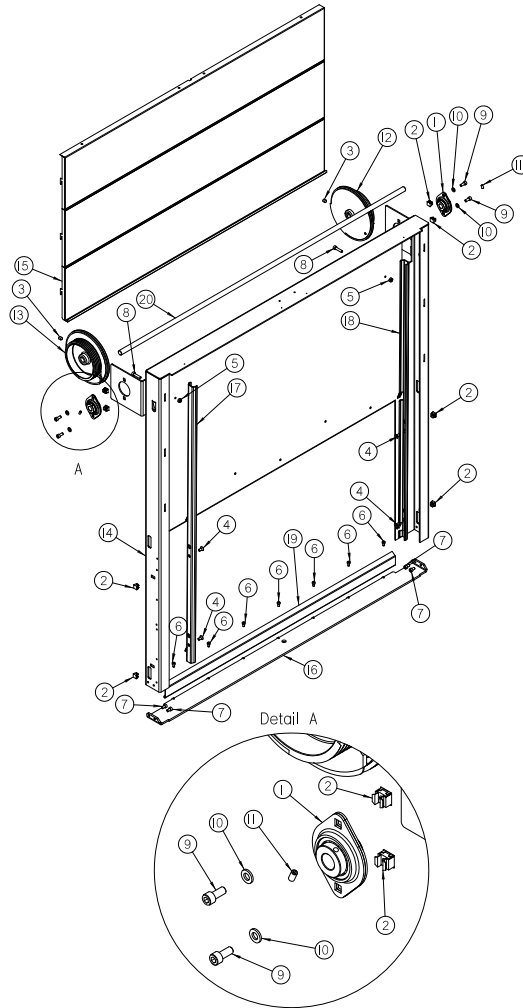
single faced

Example shown: Varia M100h



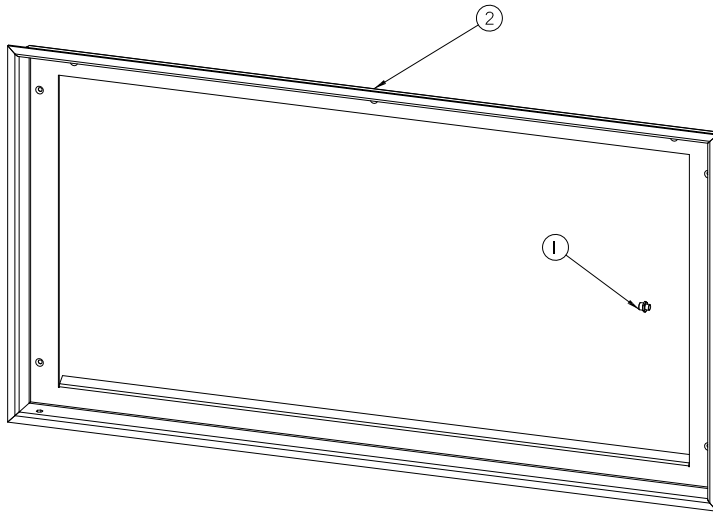
pos.	name	quantity	SAP
1	pulley	1	-
2	flange bearing BG FL 1	2	1007754
3	cage nut M6	12	-
4	countersunk bolt M6x12	8	-
5	cheese head cap screw M6x10	4	-
6	cheese head cap screw M5x8	6	-
7	cheese head cap screw M5x8	12	-
8	set screw M10x8	1	-
9	set screw with point M5x10	3	-
10	cheese head cap screw M6x14	4	-
11	washer 12x6,4x1,6	4	-
12	pan-head screw M5x12	2	-
13	hood sheet, front	1	-
14	air guide sheet	1	-
15	door frame sheet, bottom	1	-
16	hood sheet, left	1	-
17	guide bar, right	1	-
18	guide bar, left	1	-
19	angle, right	1	-
20	angle, left	1	-
21	support	1	-
22	air duct sheet	1	-
23	weight rod	1	-

two sided
 Example shown: Varia 2L-100h



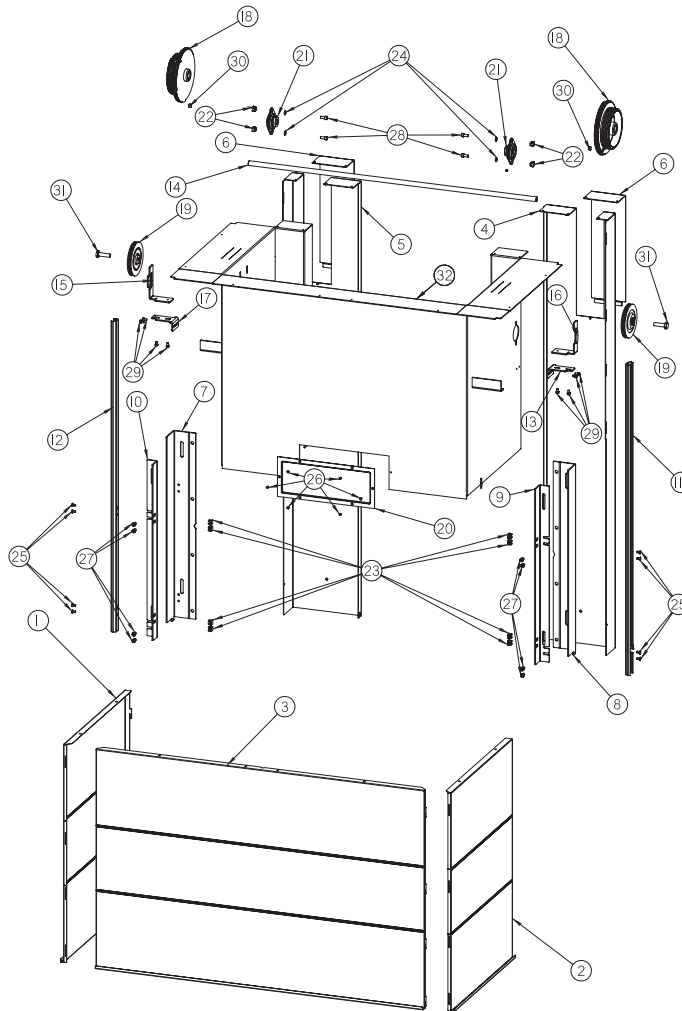
pos.	name	quantity	SAP
1	flange bearing assembly, on ball bearings	2	1019702
2	cage nut M6	8	-
3	pressure screw M8x10	2	-
4	hexagon bolt M6x12	4	-
5	hexagon nut M6	2	-
6	cheese head cap screw M5x8	7	-
7	cheese head cap screw M6x10	4	-
8	cheese head cap screw M6x25	2	-
9	cheese head cap screw M6x14	4	-
10	washer 12x6,4x1,6	4	-
11	set screw M5x10	2	-
12	pulley, right	1	1019066
13	pulley, left	1	1019088
14	door frame sheet	1	-
15	hood sheet	1	-
16	door frame sheet, bottom	1	-
17	guide bar, left	1	-
18	guide bar, right	1	-
19	sealing strip	1	-
20	weight rod	1	-

double sided, front
 Example shown: Varia B-FDh



pos.	name	quantity	SAP
1	roller fitting	1	-
2	frame	1	-

double sided, back
Example shown: Varia B-FDh



pos.	name
1	hood sheet, left
2	hood sheet, right
3	hood sheet, front
4	weight shaft sheet, right
5	weight shaft sheet, left
6	lock flap
7	angle, rear left
8	angle, rear right
9	angle, front right
10	angle, front left
11	guide bar, right
12	guide bar, left
13	angle, bottom right
14	weight rod
15	angle, top left
16	angle, top right
17	angle, bottom left
18	pulley
19	pulley, small
20	inspection port
21	flange bearing assembly, on ball bearings
22	cage nut M6
23	cage nut M6
24	washer 6,4
25	countersunk bolt M5x10
26	countersunk bolt M3x8
27	cheese head cap screw M6x10
28	cheese head cap screw M6x14
29	cheese head cap screw M5x8
30	set screw M10x8
31	hexagon bolt M10x35
32	door frame sheet

three sided

Example shown: Arte 3RL100h

6. OPERATION

WARNING

ALWAYS OPERATE THIS APPLIANCE WITH THE DOOR CLOSED AND LATCHED EXCEPT DURING START UP AND RE-FUELING. ALWAYS WEAR GLOVES TO PREVENT INJURY. DO NOT LEAVE THE FIRE UNATTENDED WHEN THE DOOR IS UNLATCHED AS UNSTABLE WOOD COULD FALL OUT OF THE FIRE CHAMBER CREATING A FIRE HAZARD TO YOUR HOME.

NEVER EVER, NOT EVEN FOR A BRIEF MOMENT, LEAVE CHILDREN UNATTENDED WHEN THERE IS A FIRE BURNING IN THE APPLIANCE.

NEVER USE GASOLINE, GASOLINE-TYPE LANTERN FUEL, KEROSENE, CHARCOAL LIGHTER FLUID, OR SIMILAR LIQUIDS TO START OR 'FRESHEN UP' A FIRE IN THIS APPLIANCE. KEEP ALL SUCH LIQUIDS WELL AWAY FROM THE APPLIANCE WHILE IT IS IN USE.

OBJECTS PLACED IN FRONT OF THE APPLIANCE SHOULD BE KEPT A MINIMUM OF 48" FROM THE FRONT FACE.

ANY MODIFICATION OF THE APPLIANCE THAT HAS NOT BEEN APPROVED IN WRITING BY THE TESTING AUTHORITY IS CONSIDERED BREACHING CSA B365 (CANADA) AND ANSI NFPA 211 (USA).

OPEN AIR CONTROL IF ADJUSTABLE AND DAMPER IF FITTED BEFORE OPENING FIRING DOOR.

HOT WHILE IN OPERATION. KEEP CHILDREN, CLOTHING AND FURNITURE AWAY. CONTACT MAY CAUSE SKIN BURNS. WEAR SUITABLE GLOVES TO OPERATE YOUR APPLIANCE.

NEVER OPERATE THE STOVE WITH THE GRATE COVER REMOVED.

DO NOT POKE OR STIR THE LOGS WHILE THEY ARE BURNING. USE ONLY FIRELOGS THAT HAVE BEEN EVALUATED FOR THE APPLICATION IN FIREPLACE AND REFER TO FIRELOG WARNINGS AND CAUTION MARKINGS ON PACKAGING PRIOR TO USE."

WARNING

AVOID BURN RISK. REMOVE OPERATIONAL TOOL AFTER USE!!!

WARNING

THE USE OF THE PROTECTIVE GLOVE IS MANDATORY!!!

Your Spartherm product is designed with the most advanced technology. The appliance is extremely airtight. It has an exclusive direct outside air supply (optional kit), a safety feature designed to prevent spillage, and to keep your house free of carbon monoxide, in case of a down drafting chimney or an internal negative pressure.

The first fire(s) in your appliance will be difficult to get going and keep going with little amount of heat being generated. This is a result of the moisture being driven out of the fire brick. Allow 30 hours of hot fires (temperatures in excess of 500°F / 260°C - 600°F / 316°C) before your appliance will perform normally. During the break-in period (the first 2 or 3 fires) create only small, hot fires using kindling; this will allow the firebrick to cure. Do not be alarmed if small hairline cracks develop in the firebrick. This is a normal occurrence and does not pose a safety hazard. The paint may also smell for the first few fires as it cures and it is recommended to open a door or window to alleviate the smell.

To start, a brisk fire is required. Place loosely crumpled paper on the floor of the appliance and cover with dry kindling. Light the paper and leave the door slightly ajar (one inch) until all kindling is burning. To maintain a brisk fire, a hot coal bed must be established and maintained.

Slowly add larger wood (2x4 size pieces). Lay the pieces lengthwise from side to side in the hot coal bed with a shallow trench between, so that the primary air can flow directly into this trench and ignite the fuel above. When the fire seems to be at its peak, medium sized logs may be added. Once these logs have caught fire, carefully close the door. (Closing the door too quickly after refuelling will reduce the firebox temperature and result in an unsatisfactory burn.) Remember it is more efficient to burn medium sized wood, briskly, and refuel frequently than to load the appliance with large logs that result in a smouldering, inefficient fire and dirty glass. As soon as the door is closed, you will observe a change in the flame pattern. The flames will get smaller and lazier because less oxygen is getting into the combustion chamber. The flames, however, are more efficient. The flames will remain lazy but become larger again as soon as the firebricks have been heated thoroughly and the chimney becomes heated and provides a good draft. At this point, the roaring fire that you see when the door is opened is wastefully drawing heated room air up the chimney -- certainly not desirable. Always operate with the door fully closed once the medium sized logs have caught fire.

You can now add larger pieces of wood and operate the appliance normally. Once the appliance is entirely hot, it will burn very efficiently with little smoke from the chimney. There will be a bed of orange coals in the firebox and secondary flames flickering just below the top firebrick. You can safely fill the firebox with wood up to the air inlet on the backside of the firebox or, if not present, up to 50% of the fireboxes backside height and will get best burns if you keep the appliance pipe temperatures between 250°F (120°C) and 450°F (270°C). A surface thermometer placed on the front top will help regulate this.

Without an appliance thermometer, you are working blindly and have no idea of how the appliance is operating! An appliance thermometer offers a guide to performance.

Can't get the fire going?

Use more kindling and paper. Assuming the chimney and vent are sized correctly and there is sufficient combustion air, the lack of sufficiently dry quantities of small kindling is the problem. Thumb size is a good gauge for small kindling diameter.

Can't get heat out of the appliance?

One of two things may have happened. The appliance door may have been closed prematurely and the appliance itself has not reached optimum temperature. Reopen the door and/or draft control to re-establish a brisk fire. The other problem may have been wet wood. The typical symptom is sizzling wood and moisture being driven from the wood.

6.1. FIRE EXTINGUISHERS / SMOKE DETECTORS

All homes with a solid fuel burning appliance should have at least one fire extinguisher in a central location, known to all, and at least one smoke detector in the room containing the appliance. If it sounds an alarm, correct the cause but do not de-activate or relocate the smoke detector.

6.2. FUEL

WARNING

THIS APPLIANCE IS DESIGNED TO BURN NATURAL WOOD ONLY. DO NOT BURN TREATED WOOD, COAL, CHARCOAL, COLOURED PAPER, CARDBOARD, SOLVENTS OR GARBAGE. THIS APPLIANCE HAS NOT BEEN TESTED WITH AN UNVENTED GAS LOG SET. TO REDUCE RISK OF FIRE OR INJURY, DO NOT INSTALL AN UNVENTED GAS LOG SET INTO THE APPLIANCE.

HIGHER EFFICIENCIES AND LOWER EMISSIONS GENERALLY RESULT WHEN BURNING AIR DRIED SEASONED HARDWOODS, AS COMPARED TO SOFTWOODS OR TOO GREEN OR FRESHLY CUT HARDWOODS. DO NOT BURN GREEN OR FRESHLY CUT WOOD.

BURNING WET UNSEASONED WOOD CAN CAUSE EXCESSIVE CREOSOTE ACCUMULATION. WHEN IGNITED IT CAN CAUSE A CHIMNEY FIRE THAT MAY RESULT IN A SERIOUS HOUSE FIRE.

DO NOT STORE FUEL WITHIN THE CLEARANCE TO COMBUSTIBLES, OR IN THE SPACE REQUIRED FOR RE-FUELING AND ASH REMOVAL.

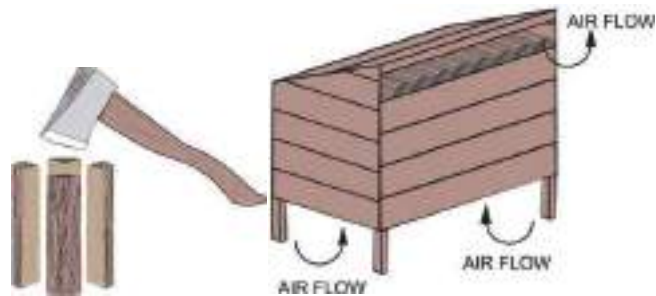
When loading the appliance, ensure that the upper fibre baffles are not forced out of position. For maximum efficiency, when the appliance is thoroughly hot, load it fully to the line of air inlet nozzles at the backside of the firebox or, if not present, to 50% of the fireboxes backside height and burn

at a medium low setting. The whiteness of the bricks and the cleanliness of the glass are good indicators of your operating efficiency. Not enough heat is produced when only a few pieces of wood are burned or the wood may not burn completely. Fuel for the appliance must not be stored closer than the required clearances to combustibles (heat sensitive material).

NEVER STORE WOOD IN THE ASH PAN COMPARTMENT (IF APPLICABLE).

NOTE: WHEN LOADING THE APPLIANCE, ENSURE TO KEEP FUEL BACK FROM THE GLASS. IF COALS ARE TO ACCUMULATE ON THE FRONT LIP, THERE IS A CHANCE THEY WILL FALL OUT WHEN THE DOOR IS OPENED.

Burn only dry, clean unpainted wood that has been seasoned. It produces more heat and less soot or creosote. Freshly cut wood contains about 50% moisture while after proper seasoning only about 20% of the water remains. As wood is burned, this water boils off consuming energy that should be used in heating. The wetter the wood, the less heat is given off and the more creosote is produced. Dry firewood has cracks in the end of the grain. Both hardwood and softwood burn equally well in this appliance but hardwood is denser, will weigh more per cord and burn a little slower and longer.



Firewood should be split, stacked in a manner that air can get to all parts of it and covered in early spring to be ready for burning that fall. Dry firewood has cracks in the end grain.

Cut the wood so that it will fit horizontally, front to back, making for easier loading and less of a likelihood that the wood will roll onto the glass.

Manufactured firelogs made by compressing 100% natural wood fibre can be safely used as fuel. Do not use manufactured firelogs if they contain additives such as paraffin, wax, binders etc. Never burn more than two manufactured firelogs at a time.

Do's

- Build a hot fire.
- Use only dry wood.
- Several pieces of medium sized wood are better than a few big pieces.
- Clean chimney regularly.
- Refuel frequently using medium sized wood.

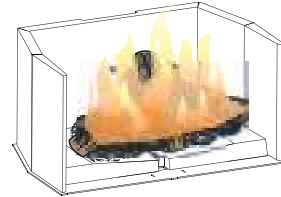
Dont's

- Take ash out immediately. Let it accumulate to a depth of at least one inch. A good ash layer provides for a longer lasting and better burning fire.
- Burn wet wood
- Close the door too soon or damper down too quickly. Burn one large log rather than two or three smaller, more reasonably sized logs.
- Burn at continually "low setting", if glass door is constantly blackened. This means the Firebox temperature is too low and energy is wasted by incomplete combustion.

6.3. LIGHTING A FIRE

6.3.1. FLASH FIRE

A flash fire is a small fire burned quickly when you don't need much heat. After your kindling has "caught", load at least 3 pieces of wood, stacked loosely. Burn with the draft control fully open if adjustable or open the door upward with 1.5 inches for 3 minutes if required.



6.3.2. EXTENDED FIRE

Load your larger pieces of wood compactly, packed close enough to prevent the flames from penetrating it completely.

DO NOT OVERFIRE THE APPLIANCE! OVERFIRING CAN OCCUR BY:

- A. Burning large amounts of smaller wood pieces such as furniture scraps, skids or treated wood.
- B. Operating the appliance with a poor gasket seal on the main door.
- C. Overfilling your appliance. Go by the following specifications:



6.3.3. SMOKING

A properly installed appliance should not smoke. If yours does, check the following:

- Has the chimney had time to get hot?
- Is the smoke passage blocked anywhere in the appliance, chimney connector or chimney?
- Is the room too airtight and the air intake not connected to the outside? Try with a window partly open.
- Is the smoke flow impeded by too long a horizontal pipe or too many bends?
- Is it a weak draft perhaps caused by a leaky chimney, a cold outside chimney, too large a diameter of a chimney, too short a chimney, or a chimney too close to trees or a higher roof?
- Has a direct flue connection been used rather than a chimney liner continuous from cap to appliance flue collar.

7. MAINTENANCE



APPLIANCE MAY BE HOT, DO NOT SERVICE UNTIL APPLIANCE HAS COOLED. DO NOT USE ABRASIVE CLEANERS.

Check your chimney and chimney connector for creosote and soot buildup weekly until a safe frequency for cleaning is established.

If accumulation is excessive, disconnect the appliance and clean both the chimney and the appliance. You may want to call a professional chimney sweep to clean them. Both have to be cleaned at least once a year or as often as necessary.

Remove fire baffles and clean above them once a year. Replace any broken bricks.

Appliance	Wood consumed per hour	Appliance	Wood consumed per hour	Appliance	Wood consumed per hour	Appliance	Wood consumed per hour	Appliance	Wood consumed per hour
Varia M60h	3.3 - 6.2 lbs	Arte Bh	5.3 - 9.7 lbs	Arte 3RL60h	3.3 - 6.2 lbs	Arte U-50h-2016	4.2 - 7.7 lbs	Arte U-50h-2016	4.2 - 7.7 lbs
Varia M80h	4.2 - 7.9 lbs	Varia 2L/2R-80h	4.9 - 9 lbs	Arte 3RL80h	4.2 - 7.7 lbs	Arte U-70h-2016	5.3 - 9.7 lbs	Arte U-70h-2016	5.3 - 9.7 lbs
Varia M100h	5.3 - 9.7 lbs	Varia 2L/2R-100h	5.1 - 9.7 lbs	Arte 3RL100h	5.3 - 9.7 lbs	Arte U-90h-2016	6.2 - 11.5 lbs	Arte U-90h-2016	6.2 - 11.5 lbs

7.1. ASH REMOVAL PROCEDURES



IMPROPER DISPOSAL OF ASHES RESULTS IN FIRES. DO NOT DISCARD ASHES IN CARDBOARD BOXES. DUMP IN BACK YARDS, OR STORE IN GARAGES.

IF USING A VACUUM TO CLEAN UP ASHES, BE SURE THE ASHES ARE ENTIRELY COOLED. USING A VACUUM TO CLEAN UP WARM ASHES COULD CAUSE A FIRE INSIDE THE VACUUM.

NEVER OPERATE YOUR APPLIANCE WITH THE ASH PLUG (IF APPLICABLE) REMOVED.

FAILURE TO ACHIEVE A GOOD SEAL BETWEEN THE ASH OPENING, ASH PLUG OR ASH WELL DOOR WILL RESULT IN AN OVER FIRE CONDITION THAT COULD CAUSE DAMAGE TO THE APPLIANCE.

Allow the ashes in your firebox to accumulate to a depth of two or three inches; they tend to burn themselves up. When the fire has burned down and cooled, remove any excess ashes but leave an ash bed approximately 1" (25mm) deep on the firebox bottom to help maintain a hot charcoal bed.

Shovel some ashes out through the door into a metal container with a tight fitting lid. Leave an ash bed approximately 1" (25mm) deep on the firebox bottom to help maintain a hot charcoal bed. Keep the closed container on a noncombustible floor or ground, well away from all combustible materials. The ashes should be retained in the closed container until all cinders have thoroughly cooled. Cold wood ashes can be used on the garden or in the compost.

7.2. CREOSOTE FORMATION AND REMOVAL

When wood is burned too slow, it produces tar and other organic vapors, which combine with expelled moisture to form creosote. The creosote vapors condense in the relatively cooler chimney flue of a slow-burning fire. As a result, creosote residue accumulates on the flue lining. When ignited this creosote makes an extremely hot fire. The chimney connector and chimney should be inspected at least once every two months during the heating season to determine if a creosote buildup has occurred. If creosote has accumulated it should be removed to reduce the risk of a chimney fire.

7.3. RUNAWAY OR CHIMNEY FIRE



A CHIMNEY FIRE CAN PERMANENTLY DAMAGE YOUR CHIMNEY SYSTEM. THIS DAMAGE CAN ONLY BE REPAIRED BY REPLACING THE DAMAGED COMPONENT PARTS. CHIMNEY FIRES ARE NOT COVERED BY THE WARRANTY.

CAUSES:

- Using incorrect fuel, or small fuel pieces which would normally be used as kindling.
- Leaving the door ajar too long and creating extreme temperatures as the air rushes in the open door.
- Improperly installed or worn gaskets.
- Creosote build up in chimney.

SOLUTIONS:

- Do not burn treated or processed wood, coal, charcoal, coloured paper or cardboard.

- Do not burn green or freshly cut wood.
- Be careful not to overfire the appliance by leaving the door open too long after the initial start-up. A thermometer on the chimney connector and/or appliance top helps.
- Replace worn, dried out (inflexible) gaskets.
- Have chimney regularly cleaned.

IN CASE OF A CHIMNEY FIRE:

- Have a well understood plan for evacuation and a place outside for everyone to meet. Prepare to evacuate to ensure everyone's safety.
- Close air control on appliance.
- Call local fire department. Have a fire extinguisher handy. Contact local authorities for further information on how to handle a chimney fire.
- After the chimney fire is out, clean and inspect the chimney or chimney liner for stress and cracks prior to lighting another fire. Also check combustibles around the chimney and the roof.

7.4. CHIMNEY CLEANING

Both the chimney and the appliance must be inspected and cleaned at least once a year.

For serious wood burners, chimney cleaning must be done as needed to avoid chimney fires; the venting systems for controlled combustion appliances may need cleaning as often as once a month. These rates, however, depend on the burning habits of the individual operating the appliance. For example, it is possible to clog a solid fuel appliance chimney in a few days if slow, smoldering fires are burned and the chimney is cold. **NOTE: Appliances burned consistently without hot fires may result in significant creosote accumulations in the chimney.**

Certain items and considerations are important in chimney cleaning:

- Proper tools should be used, including a brush specifically designed for chimney cleaning.
- The chimney connector and dampers as well as the chimney should be cleaned.
- The appliance's firebox and baffle system should be cleaned if needed.
- The chimney should be inspected and repairs made if needed, preferably by a qualified chimney sweep or mason.

7.5. GLASS REPLACEMENT



DO NOT USE SUBSTITUTE MATERIALS

GLASS MAY BE HOT, DO NOT TOUCH GLASS UNTIL COOLED.

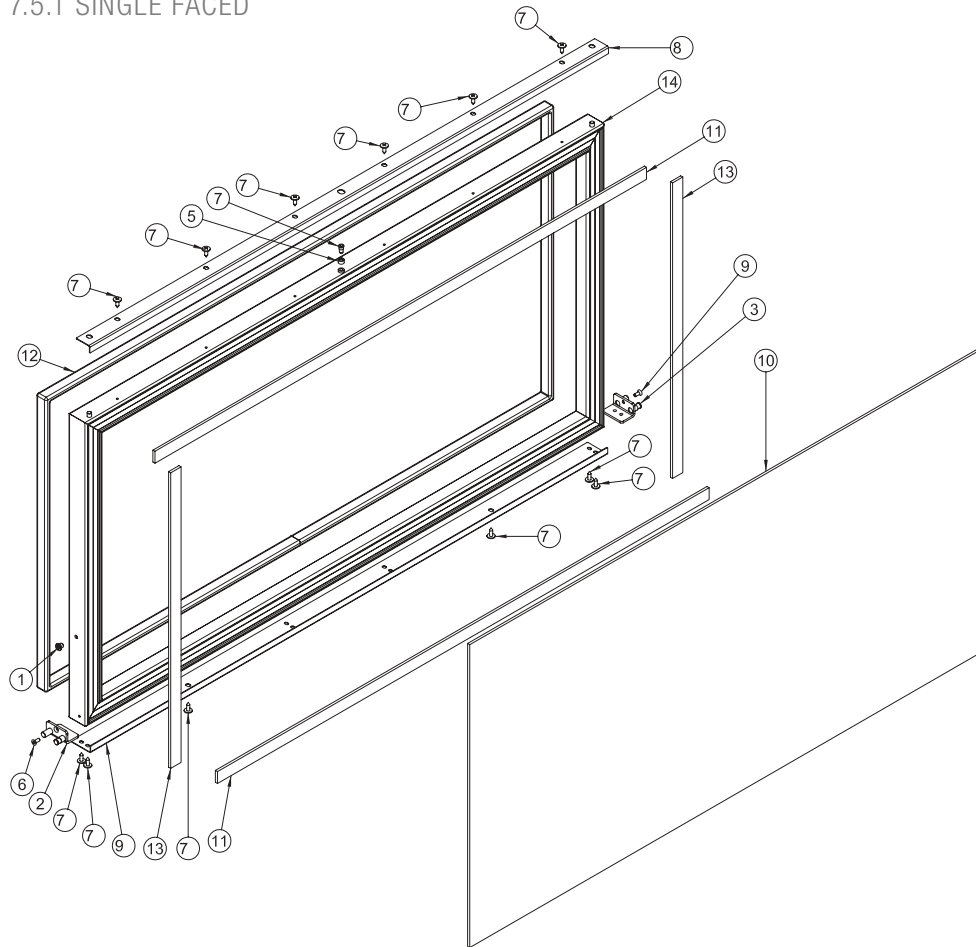
CARE MUST BE TAKEN WHEN REMOVING AND DISPOSING OF ANY BROKEN DOOR GLASS OR DAMAGED COMPONENTS. BE SURE TO VACUUM UP ANY BROKEN GLASS FROM INSIDE THE APPLIANCE BEFORE OPERATION.

DO NOT STRIKE, SLAM OR SCRATCH GLASS. DO NOT OPERATE APPLIANCE WITH GLASS REMOVED, CRACKED, BROKEN OR SCRATCHED.

Installation:

Remove the door from the stove and remove the glass retainer. Position the 4 mm ceramic Schott Robax glass in the door, make sure that the glass gasketing will properly seal your unit, and replace the retainer, it should rest on the gasket not the glass. Tighten securely, but do not wrench down on the glass as this may cause the glass to break. Replacement Glass Part as for unit.

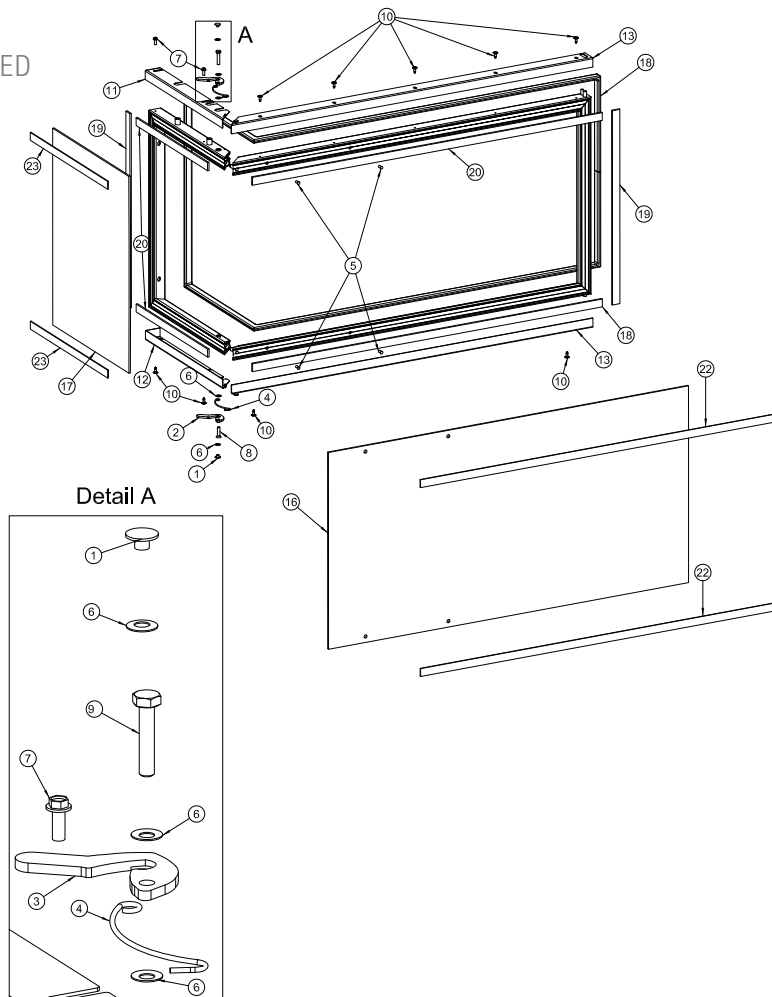
7.5.1 SINGLE FACED



pos.	name
1	special bolt
2	bottom flat bar, left
3	bottom flat bar, right
4	special bolt
5	bush
6	hexagon bolt M4x10
7	sheet metal screw 4,2x19
8	angle, top
9	angle, bottom
10	glass
11	seal 4x20x930 mm
12	seal 19x9 L=2880 mm
13	seal 4x20x484 mm
14	door profile

Example shown: Varia M100h

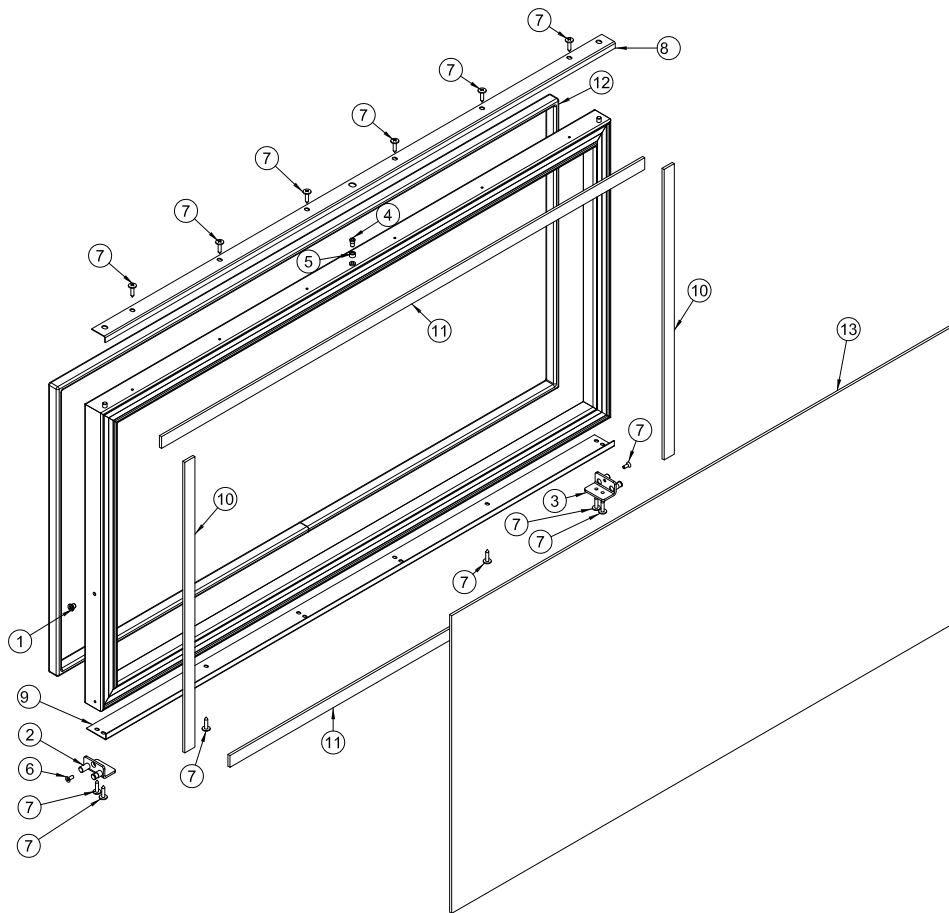
7.5.2. TWO SIDED



pos.	name
1	button
2	cold hand closing system, bottom
3	cold hand closing system, top
4	pressure spring
5	set screw M5x12
6	cup spring 12,5
7	sheet metal screw thread 4,8x13
8	hexagon bolt with hexagon socket M6x25
9	hexagon bolt M6x30
10	raised countersunk head screw ST4,2x13
11	angle, top
12	angle, bottom
13	angle, top
14	angle, bottom
15	glass, side
16	glass, front
17	seal 19x9 L=3550 mm
18	flat seal L=500 mm
19	flat seal L=950 mm
20	flat seal L=370 mm
21	flat seal 20x2x973 mm
22	flat seal 20x2x387 mm

Example shown: Varia 2L-100h

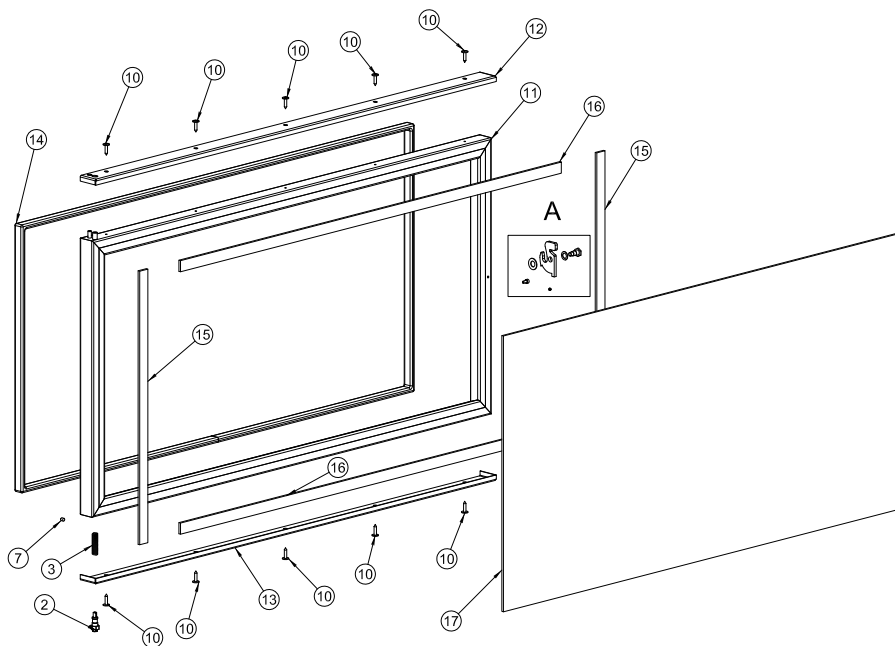
7.5.3. DOUBLE SIDED FRONT



pos.	name
1	special bolt
2	flat bar, bottom left
3	flat bar, bottom right
4	special bolt M5
5	bush
6	hexagon bolt M4x10
7	sheet metal screw 4,2x19
8	angle, top
9	angle, bottom
10	seal 4x20x484 mm
11	seal 4x20x930 mm
12	seal 19x9 L=2880 mm
13	glass

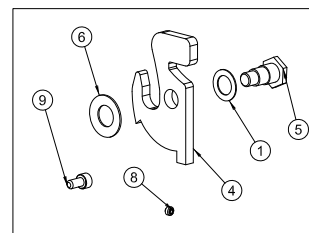
Example shown: Varia B-FDh

7.5.4. DOUBLE SIDED BACK



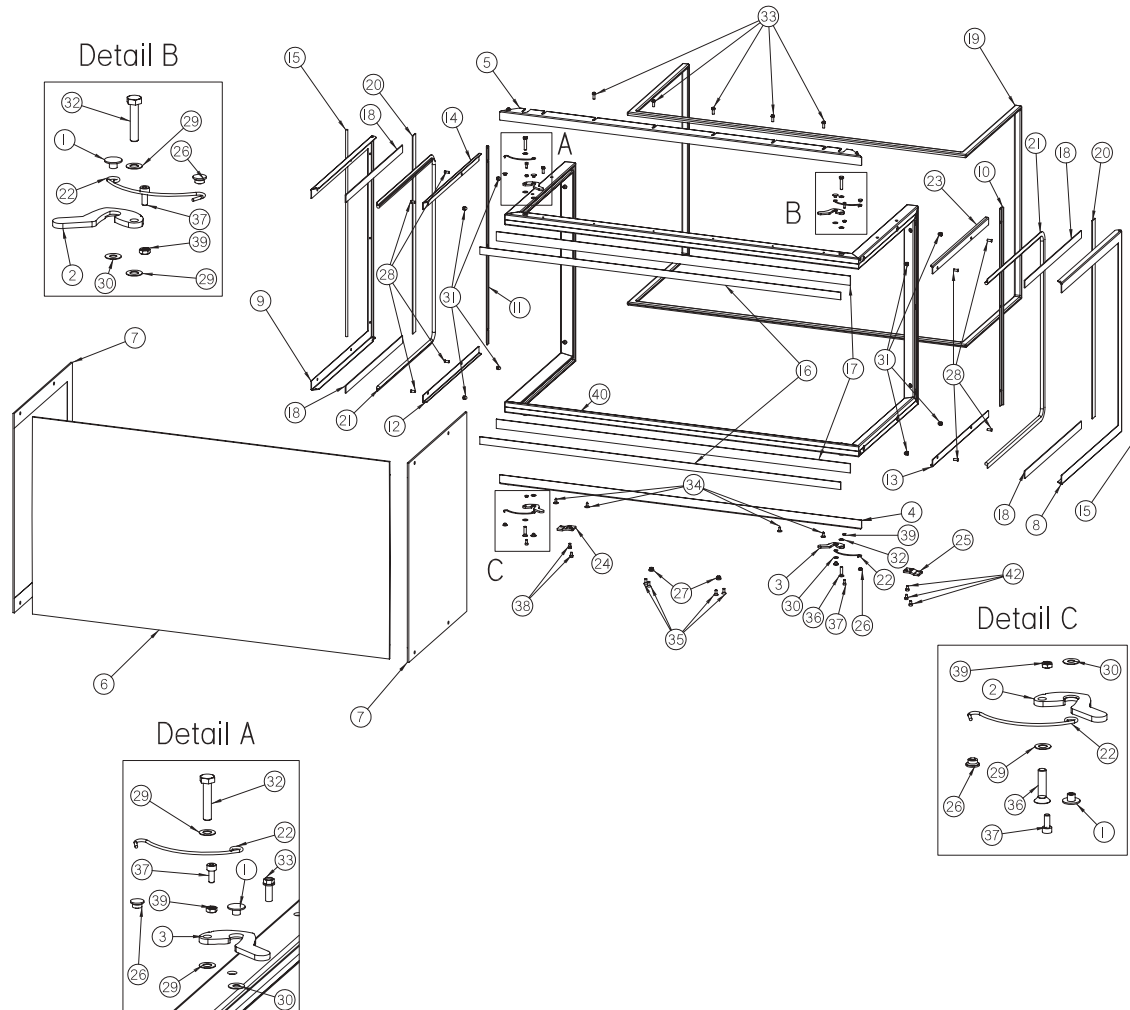
pos.	name
1	washer 9x15
2	door support, bottom
3	spring
4	cold hand closing system
5	special bolt
6	cup spring 20
7	set screw M5x8
8	set screw M4x4
9	cheese head cap screw M4x8
10	sheet metal screw 4,2x19
11	door profile
12	angle, top
13	angle, bottom
14	seal 19x9 L=2900 mm
15	seal 4x20x495 mm
16	seal 4x20x940 mm
17	glass

Detail A



Example shown: Varia B-FDh

7.5.5 THREE SIDED



Example shown: Arte 3RL100h

pos.	name
1	bolt
2	break contact
3	break contact
4	glass strip, bottom front
5	glass strip, top front
6	glass, front
7	glass, side
8	glass strip, right
9	glass strip, left
10	glass strip, right rear
11	glass strip, left rear
12	glass strip, bottom left
13	glass strip, bottom right
14	glass strip, top left
15	rod
16	seal 2x20x1000 mm
17	seal 2x25x980 mm
18	seal 2x20x420 mm
19	seal Ø16 L=4000 mm
20	seal 2x20x550 mm
21	textile adhesive seal L=1265 mm
22	retaining spring
23	glass strip, top right
24	sheet, bottom left
25	sheet, bottom right
26	bolt
27	button

pos.	name
28	set screw M5x12
29	washer 6,4
30	washer 5,3
31	hexagon cap nut M5
32	hexagon bolt M6x30
33	hexagon bolt M5x12
34	raised countersunk head screw ST4,2x9
35	countersunk bolt M5x10
36	countersunk bolt M6x25
37	cheese head cap screw M4x10
38	cheese head cap screw M5x8
39	hexagon nut M4
40	door profile

7.6. CARE OF GLASS

If the glass is not kept clean permanent discolouration and / or blemishes may result. Normally a hot fire will clean the glass. The most common reasons for dirty glass include: not using sufficient fuel to get the appliance thoroughly hot, using green or wet wood, closing the draft so far that there is insufficient air for complete combustion. If it is necessary to clean the glass, buff lightly with a clean dry cloth and non-abrasive cleaner.



DO NOT CLEAN GLASS WHEN HOT! Clean the glass after the first 10 hours of operation with a suitable stove glass cleaner. Thereafter clean as required.

The glass is very strong but do not let burning fuel rest or fall against it and always close the door gently. **NEVER FORCE IT SHUT!**

If the glass should ever crack or break while the fire is burning, do not open the door until the fire is out and do not operate the appliance again until the glass has been replaced, available from your Authorized dealer. **DO NOT USE SUBSTITUTE MATERIALS.**

7.7. CLEANING THE GLASS CERAMIC SHEET

WARNING

THE GLASS CERAMIC SHEET MAY ONLY BE CLEANED WHEN COLD (FIREPLACE INSERT NOT BURNING AND COOLED DOWN; NO HOT ASH IN THE FIRE CHAMBER).

WARNING

AVOID BURN RISK. REMOVE OPERATIONAL TOOL AFTER USE!!!



Position the „operational tool“ on the lever at the bottom right handle side of the door. Push the door to the top.”

7.7.1. FLAT DOOR

1. Close the fire compartment (slide down fully).
2. From the left, place the “operational tool” on the catch located centrally above the fire compartment door.
3. Then tip the door to open.

7.7.2. ANGLED DOOR

1. Slide down the fire compartment door fully.
2. Using the “operational tool”, twist open the catch for the sliding rail lock-



Unlatch by twisting to the right.

ing mechanism, located above the fire compartment door, right and left.



Using one hand, tilt the door open up to its end stop.

The door is now locked in bottom position.



Another locking bolt is located on the opposite side.

3. Release the lateral door catches by hand, or with the “operational tool”, by twisting – observe the sequence. Important: First release the bottom catch, then the top one. (the top catch supports opening).



Then twist open the top catch.

4. Swing open the fireplace door to the left and/or right.



Handle the doors by their frames only!

7.8. CARE OF PLATED PARTS

If the appliance is equipped with plated parts, you must clean fingerprints or other marks from the plated surfaces before operating the appliance for the first time. Use a glass cleaner or vinegar and towel to clean. If not cleaned properly before operating for the first time, the marks can cause permanent blemishes on the plating. After the plating is cured, the fingerprints and oils will not affect the finish and little maintenance is required, just wipe clean as needed. Prolonged high temperature burning with the door ajar may cause discolouration on plated parts.

NOTE: The protective wrap on plated parts is best removed when the assembly is at room temperature but this can be improved if the assembly is warmed, using a hair dryer or similar heat source.

8. REPLACEMENTS

Contact your dealer or the factory for questions concerning prices and policies on replacement parts. Normally all parts can be ordered through your Authorized dealer / distributor. **FOR WARRANTY REPLACEMENT PARTS, A PHOTOCOPY OF THE ORIGINAL INVOICE WILL BE REQUIRED TO HONOUR THE CLAIM.** When ordering replacement parts always give the following information:

- Model & Serial Number of appliance
- Installation date of appliance
- Part number
- Description of part
- Finish

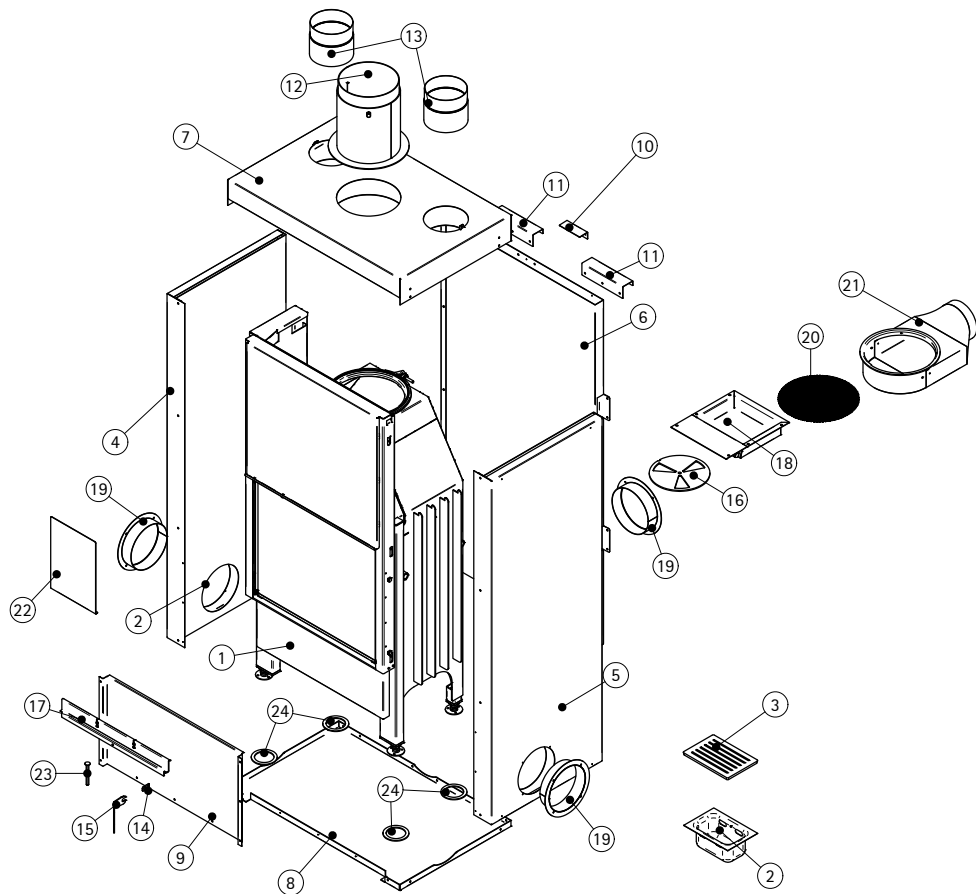
* IDENTIFIES ITEMS WHICH ARE NOT ILLUSTRATED. FOR FURTHER INFORMATION, CONTACT YOUR AUTHORIZED DEALER.

WARNING

FAILURE TO POSITION THE PARTS IN ACCORDANCE WITH THIS MANUAL OR FAILURE TO USE ONLY PARTS SPECIFICALLY APPROVED WITH THIS APPLIANCE MAY RESULT IN PROPERTY DAMAGE OR PERSONAL INJURY.

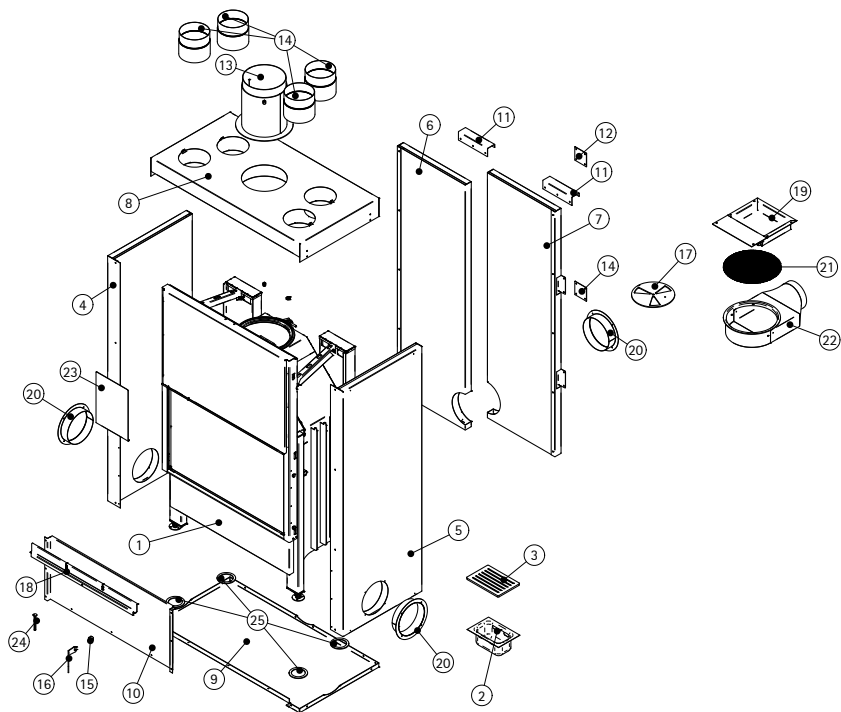
For chamotte replacement see chapter 5.1

8.1. VARIA M-60h



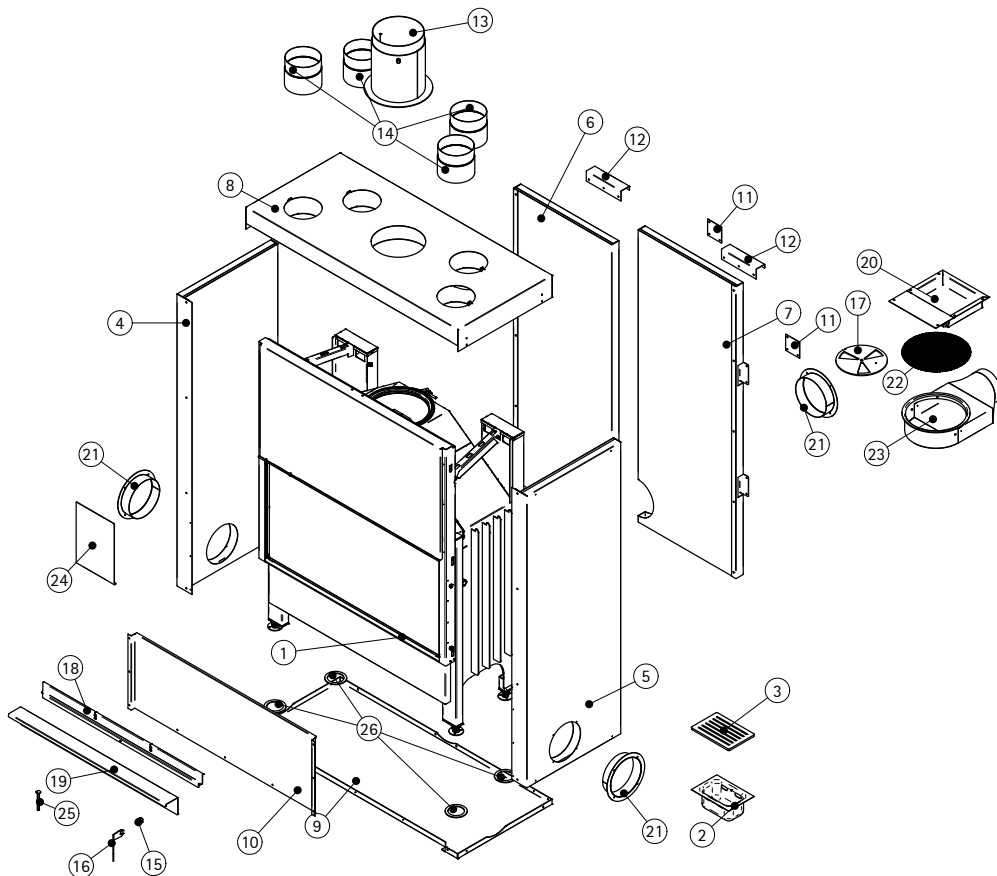
pos.	name
1	fireplace insert, Varia M60h
2	ash pan
3	ash grating
4	ZCM-module, side wall left
5	ZCM-module, side wall right
6	ZCM-module, back wall
7	ZCM-module, top
8	ZCM, floor panel
9	ZCM, front plate
10	holder plate
11	spacer
12	flue gas connection, height adjustable Ø200mm
13	convection air port
14	3S-lever
15	operational tool, 45° angled
16	air valve, fixed
17	primary air deflector
18	air box with closed primary air flap
19	mantel guideway, round
20	mesh for small animals, round
21	separate combustion air connector
22	label holder
23	bolt
24	location ring

8.2. VARIA M-80h



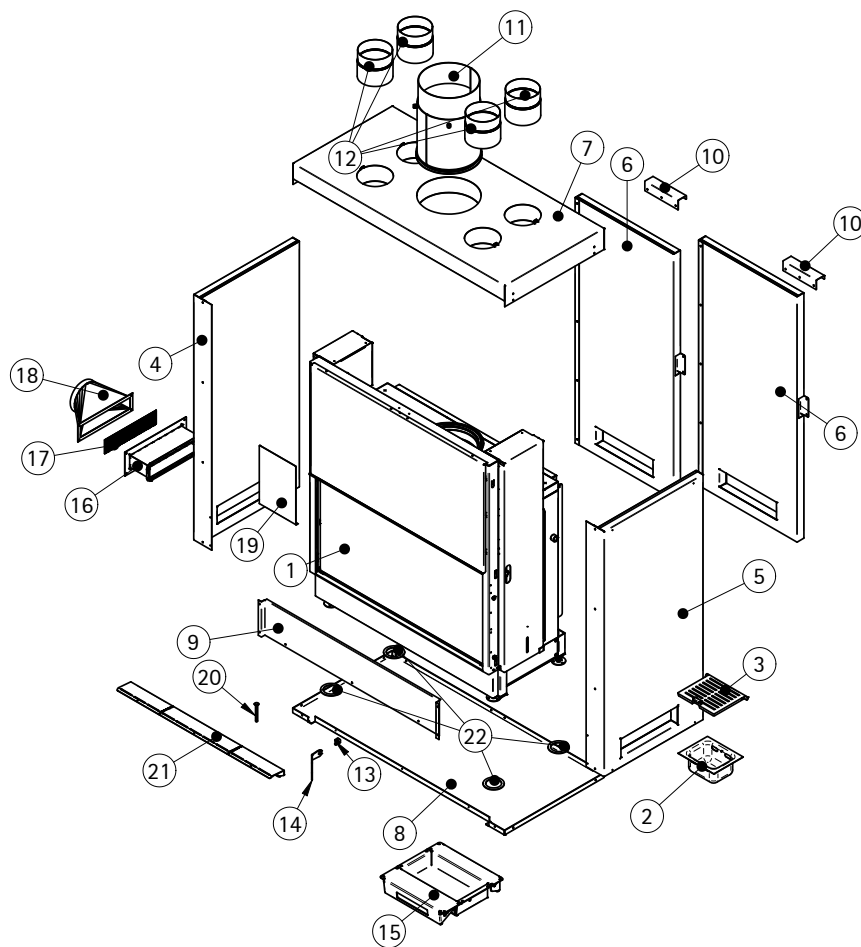
pos.	name
1	fireplace insert, Varia M80h
2	ash pan
3	ash grating
4	ZCM-module, side wall left
5	ZCM-module, side wall right
6	ZCM-module, back wall left
7	ZCM-module, back wall right
8	ZCM-module, top
9	ZCM, floor panel
10	ZCM, front plate
11	holder plate
12	connection plate
13	convection air port
14	flue gas connection, height adjustable Ø200mm
15	3S-lever
16	operational tool, 3mm 135° angled
17	air valve, fixed
18	primary air deflector
19	air box with closed primary air flap
20	mantel guideway, round
21	mesh for small animals, round
22	seperate combustion air connector
23	label holder
24	bolt
25	location ring

8.3. VARIA M-100h



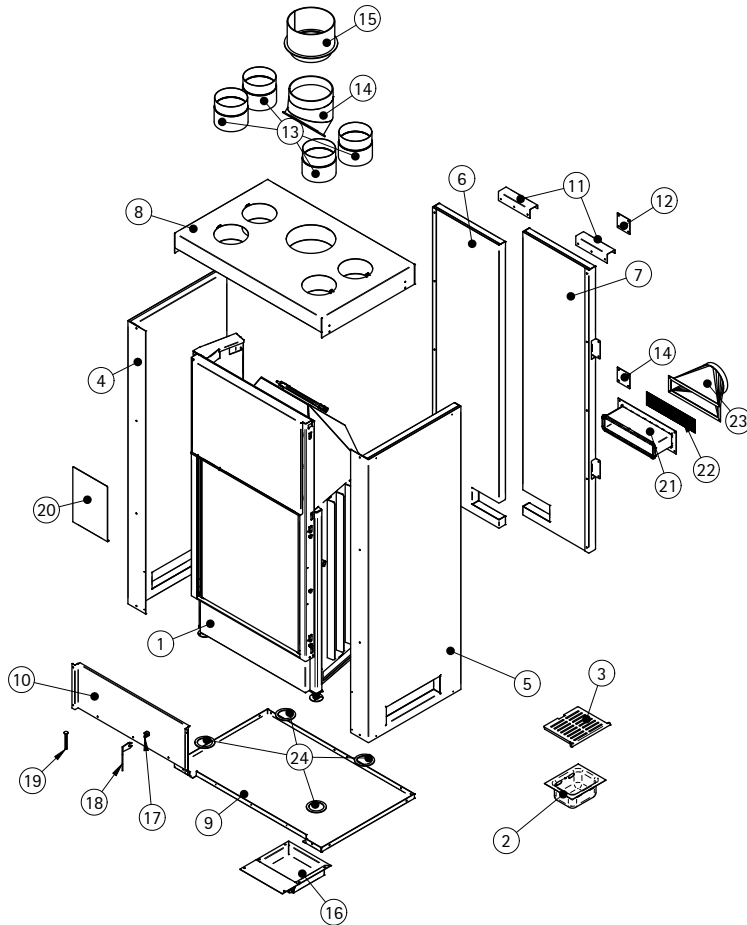
pos.	name
1	fireplace insert, Varia M100h
2	ash pan
3	ash grating
4	ZCM-module, side wall left
5	ZCM-module, side wall right
6	ZCM-module, back wall left
7	ZCM-module, back wall right
8	ZCM-module, top
9	ZCM, floor panel
10	ZCM, front plate
11	ZCM, connection plate
12	spacer
13	flue gas connection, height adjustable Ø200mm
14	convection air port
15	3S-lever
16	operational tool, 3mm 135° angled
17	air valve, fixed
18	primary air deflector
19	front ledge
20	air box with closed primary air flap
21	mantel guideway, round
22	mesh for small animals, round
23	separate combustion air connector
24	label holder
25	bolt
26	location ring

8.4. VARIA Bh



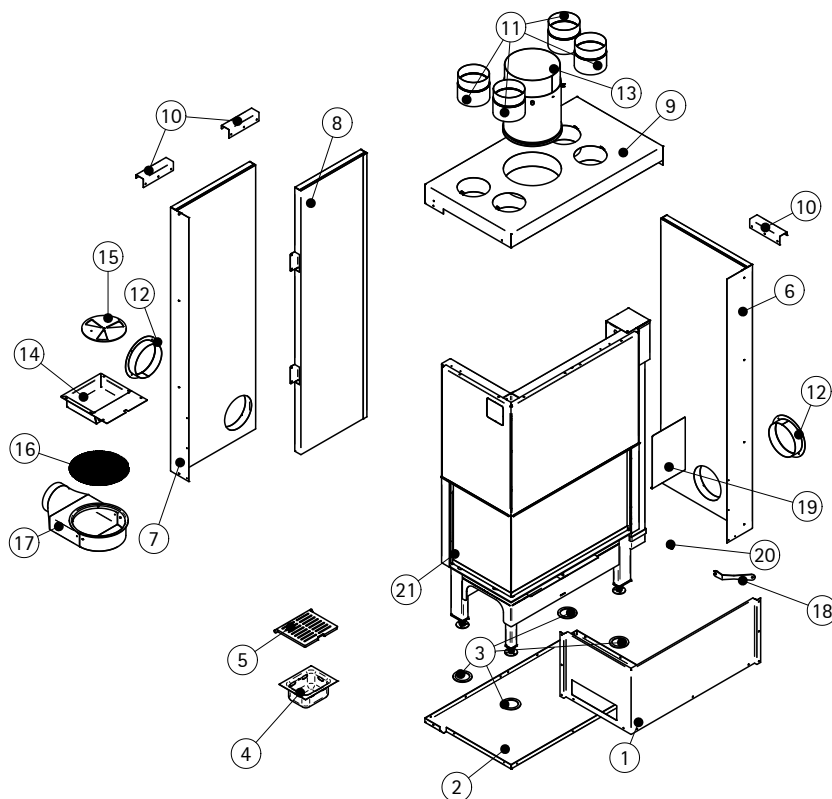
pos.	name
1	fireplace insert, Varia Bh
2	ash pan
3	ash grating
4	ZCM-module, side wall left
5	ZCM-module, side wall right
6	ZCM-module, back wall
7	ZCM-module, top
8	ZCM, floor panel
9	ZCM, front plate
10	spacer
11	flue gas connection, height adjustable Ø250mm
12	convection air port
13	3S-lever
14	operational tool, 45° angled
15	air box with closed primary air flap
16	mantel guideway, cornered
17	mesh for small animals, cornered
18	separate combustion air connector
19	label holder
20	bolt
21	front ledge
22	location ring

8.5. ARTE Bh



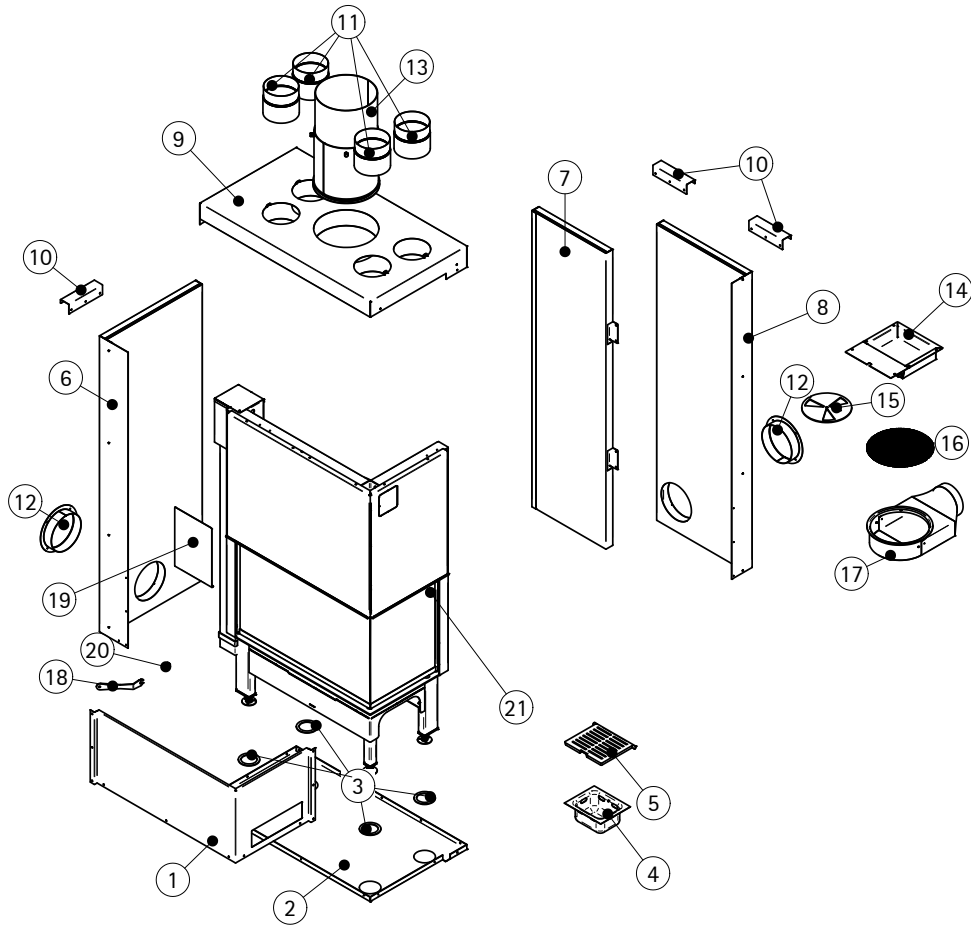
pos.	name
1	fireplace insert, Arte Bh
2	ash pan
3	ash grating
4	ZCM-module, side wall left
5	ZCM-module, side wall right
6	ZCM-module, back wall left
7	ZCM-module, back wall right
8	ZCM-module, top
9	ZCM, floor panel
10	ZCM, front plate
11	spacer
12	connection plate
13	convection air port
14	fuel gas connecting piece
15	fuel gas connecting Ø200mm
16	air box with closed primary air flap
17	3S-lever
18	operational tool, 45° angled
19	bolt
20	label holder
21	mantel guideway, cornered
22	mesh for small animals, cornered
23	separate combustion air connector
24	location ring

8.6. VARIA 2L-80h



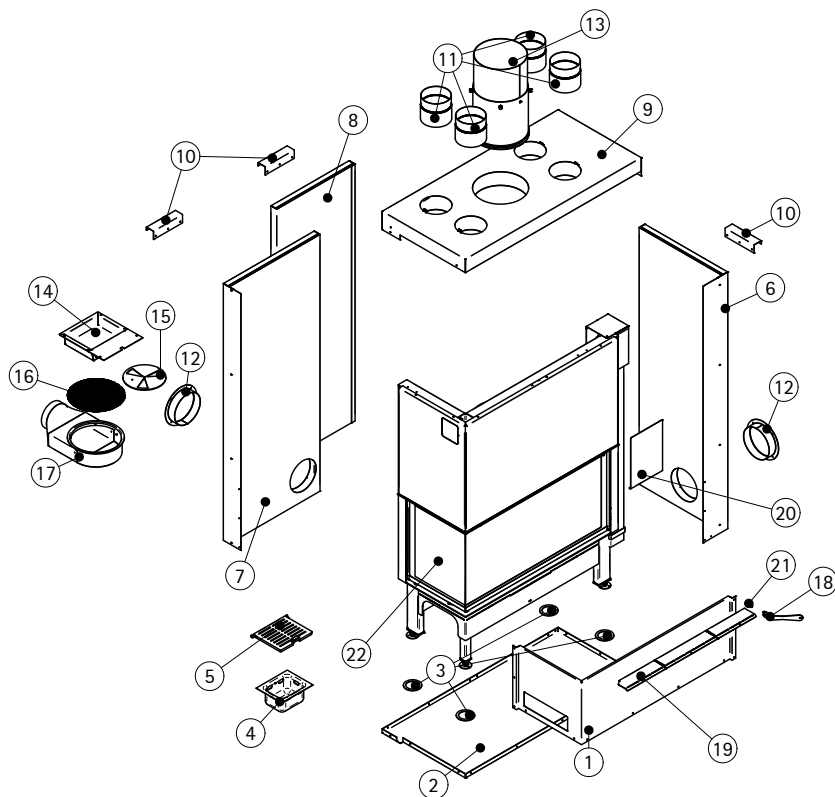
pos.	name
1	ZCM, front plate
2	ZCM, floor panel
3	ZCM, position ring
4	ash pan
5	ash grating
6	ZCM-module, side wall
7	ZCM-module, back wall left
8	ZCM-module, back wall right
9	ZCM-module, top
10	spacer
11	convection air port
12	mantel guideway, round
13	flue gas connection, height adjustable Ø250mm
14	air box with closed primary air flap
15	air valve, fixed
16	mesh for small animals, round
17	separate combustion air connector
18	operational tool, 45° angled
19	label holder
20	3S-lever
21	fireplace insert, Varia 2L-80h

8.7. VARIA 2R-80h



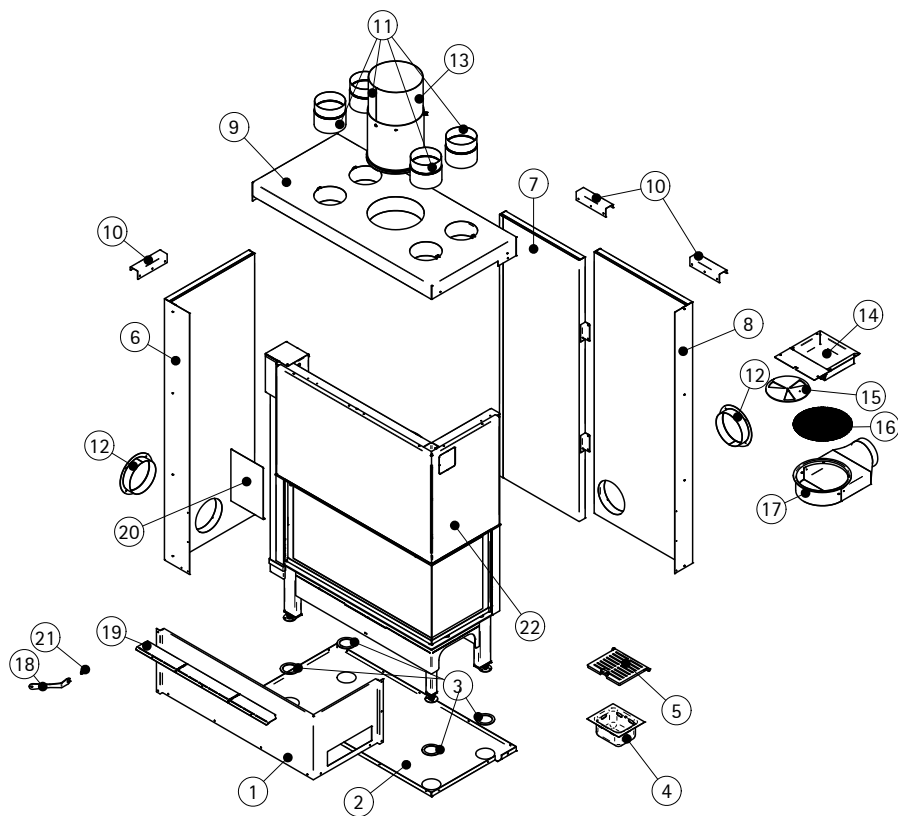
pos.	name
1	ZCM, front plate
2	ZCM, floor panel
3	ZCM, position ring
4	ash pan
5	ash grating
6	ZCM-module, side wall
7	ZCM-module, back wall left
8	ZCM-module, back wall right
9	ZCM-module, top
10	spacer
11	convection air port
12	mantel guideway, round
13	flue gas connection, height adjustable Ø250mm
14	air box with closed primary air flap
15	air valve, fixed
16	mesh for small animals, round
17	separate combustion air connector
18	operational tool, 45° angled
19	label holder
20	3S-lever
21	fireplace insert, Varia 2R-80h

8.8. VARIA 2L-100h



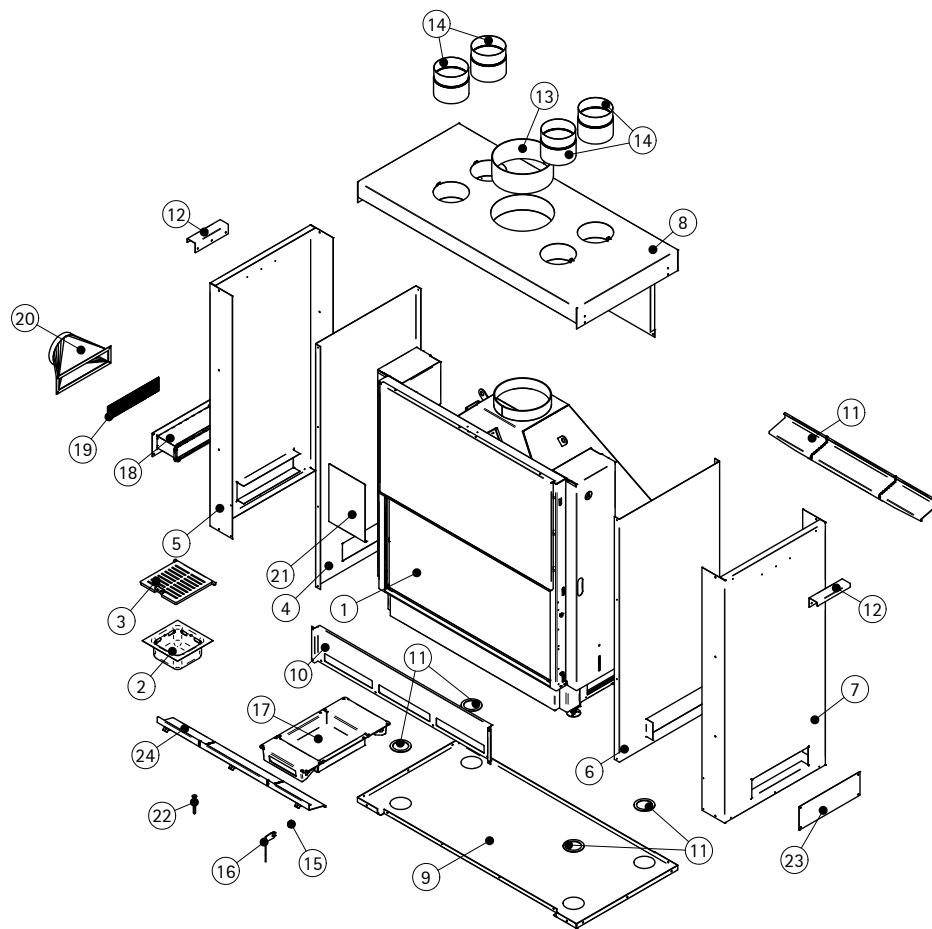
pos.	name
1	ZCM, front plate
2	ZCM, floor panel
3	ZCM, position ring
4	ash pan
5	ash grating
6	ZCM-module, side wall
7	ZCM-module, back wall left
8	ZCM-module, back wall right
9	ZCM-module, top
10	spacer
11	convection air port
12	mantel guideway, round
13	flue gas connection, height adjustable Ø250mm
14	air box with closed primary air flap
15	air valve, fixed
16	mesh for small animals, round
17	separate combustion air connector
18	operational tool, 45° angled
19	front ledge
20	label holder
21	3S-lever
22	fireplace insert, Varia 2L-100h

8.9. VARIA 2R-100h



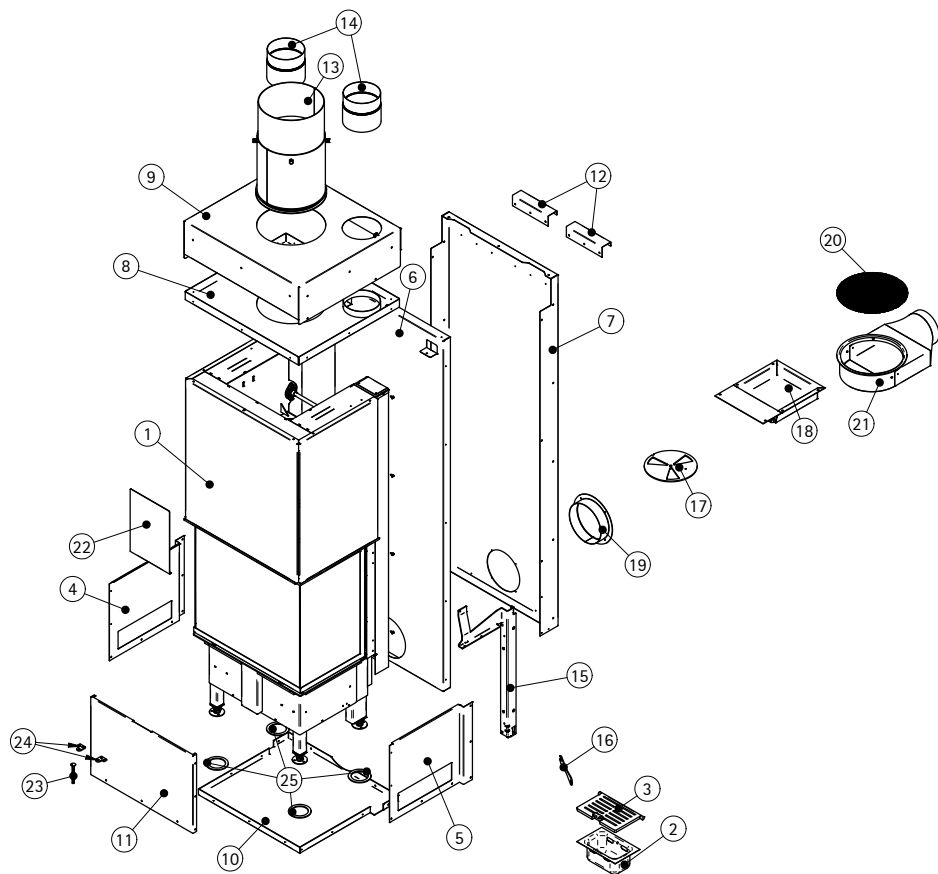
pos.	name
1	ZCM, front plate
2	ZCM, floor panel
3	ZCM, position ring
4	ash pan
5	ash grating
6	ZCM-module, side wall
7	ZCM-module, back wall left
8	ZCM-module, back wall right
9	ZCM-module, top
10	spacer
11	convection air port
12	mantel guideway, round
13	flue gas connection, height adjustable Ø250mm
14	air box with closed primary air flap
15	air valve, fixed
16	mesh for small animals, round
17	separate combustion air connector
18	operational tool, 45° angled
19	front ledge
20	label holder
21	3S-lever
22	fireplace insert, Varia 2R-100h

8.10. VARIA B-FDh



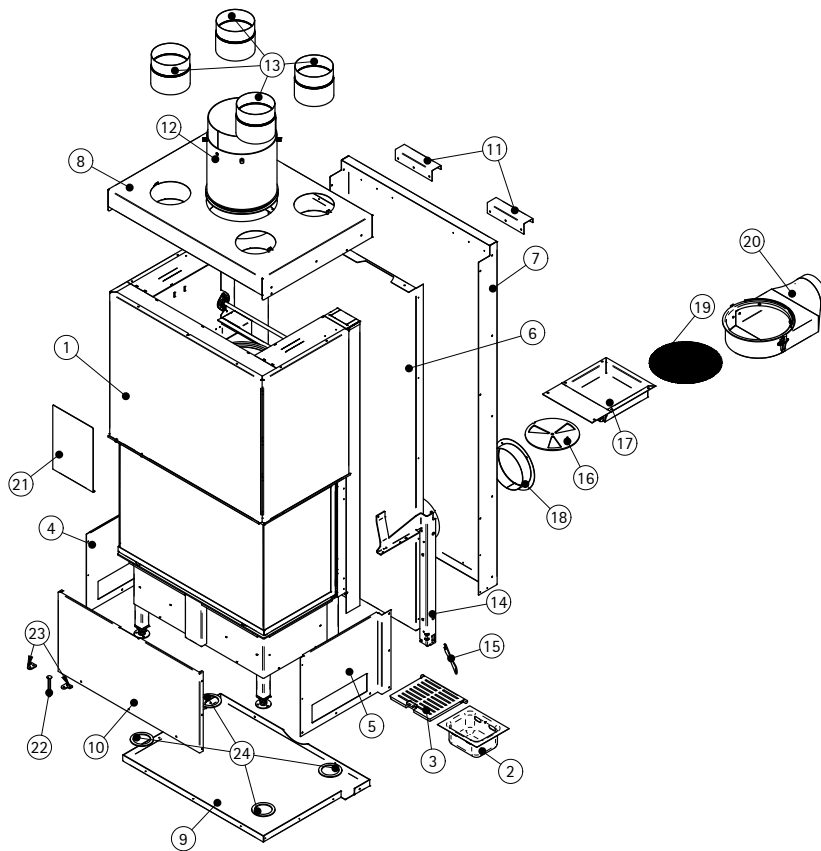
pos.	name
1	fireplace insert, Varia B-FDh
2	ash pan
3	ash grating
4	ZCM-module, side wall left interior
5	ZCM-module, side wall left exterior
6	ZCM-module, side wall right interior
7	ZCM-module, side wall right exterior
8	ZCM-module, top
9	ZCM, floor panel
10	ZCM, front plate
11	location ring
12	spacer
13	flue gas adapter
14	convection air port
15	3S-lever
16	operational tool, 45° angled
17	air box with closed primary air flap
18	mantel guideway, cornered
19	mesh for small animals, cornered
20	separate combustion air connector
21	label holder
22	bolt
23	cover
24	front ledge

8.11. ARTE 3RL-60h



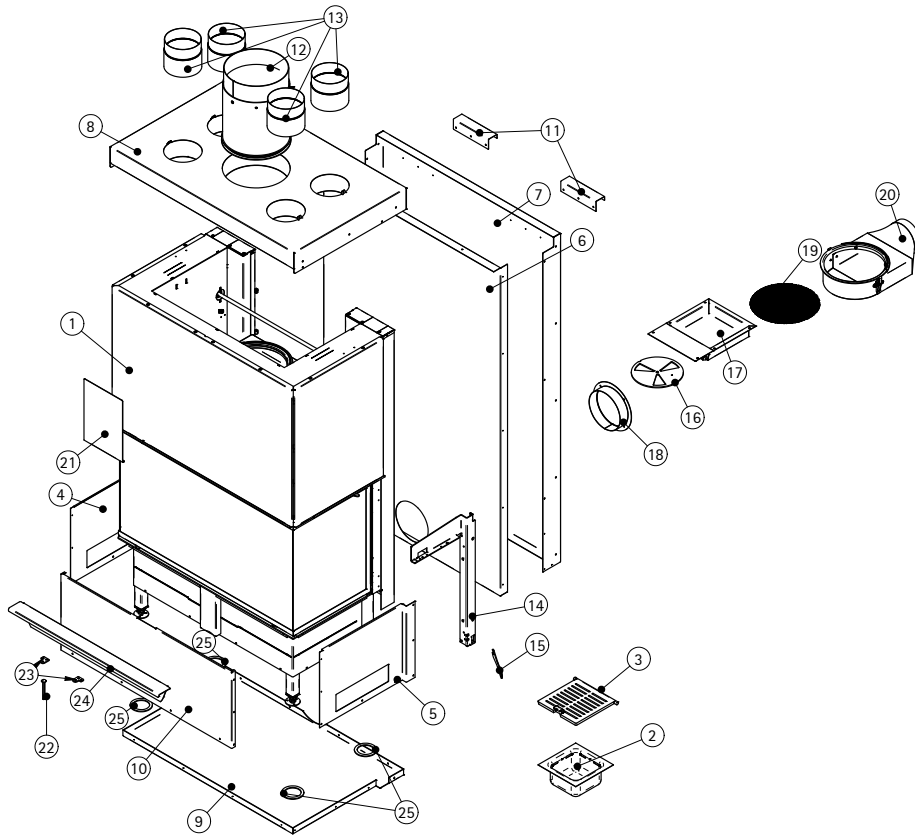
pos.	name
1	fireplace insert, Arte 3RL60h
2	ash pan
3	ash grating
4	ZCM-module, side wall left
5	ZCM-module, side wall right
6	ZCM-module, back wall left
7	ZCM-module, back wall right
8	ZCM-module, top inner
9	ZCM-module, top outer
10	ZCM, floor panel
11	ZCM, front plate
12	spacer
13	flue gas connection, height adjustable Ø250mm
14	convection air port
15	lever
16	operational tool, 0° straight
17	air valve, fixed
18	air box with closed primary air flap
19	mantel guideway, round
20	mesh for small animals, round
21	separate combustion air connector
22	label holder
23	bolt
24	hand plate
25	location ring

8.12. ARTE 3RL-80h



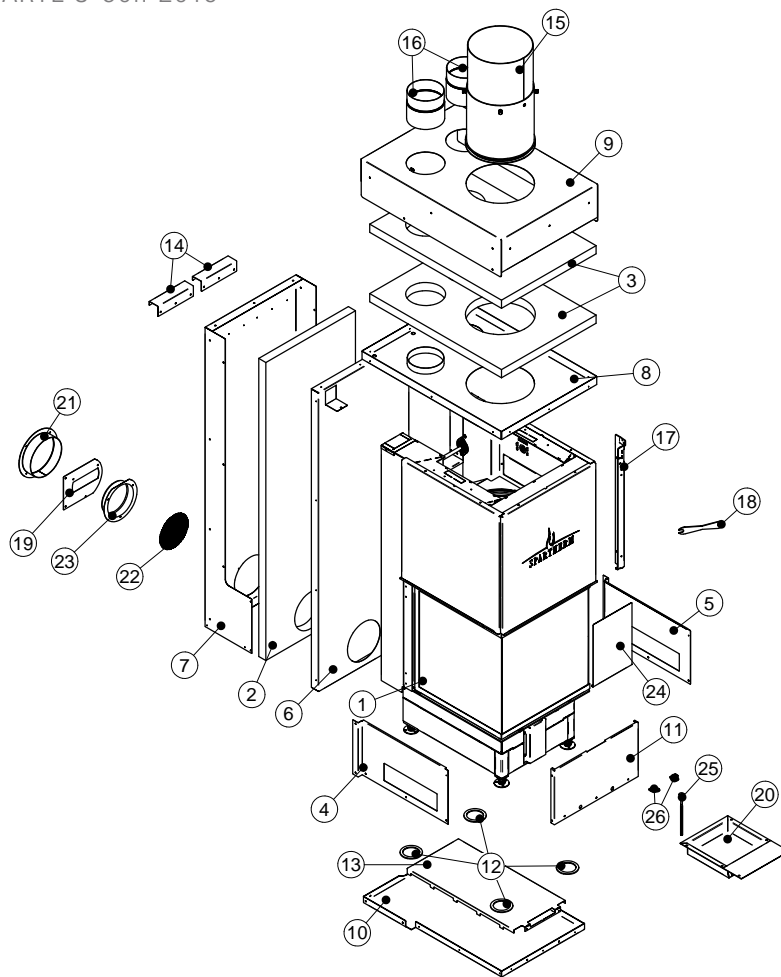
pos.	name
1	fireplace insert, Arte 3RL80h
2	ash pan
3	ash grating
4	ZCM-module, side wall left
5	ZCM-module, side wall right
6	ZCM-module, back wall left
7	ZCM-module, back wall right
8	ZCM-module, top
9	ZCM, floor panel
10	ZCM, front plate
11	spacer
12	flue gas connection, height adjustable Ø250mm
13	convection air port
14	lever
15	operational tool, 0° straight
16	air valve, fixed
17	air box with closed primary air flap
18	mantel guideway, round
19	mesh for small animals, round
20	separate combustion air connector
21	label holder
22	bolt
23	hand plate
24	location ring

8.13. ARTE 3RL-100h



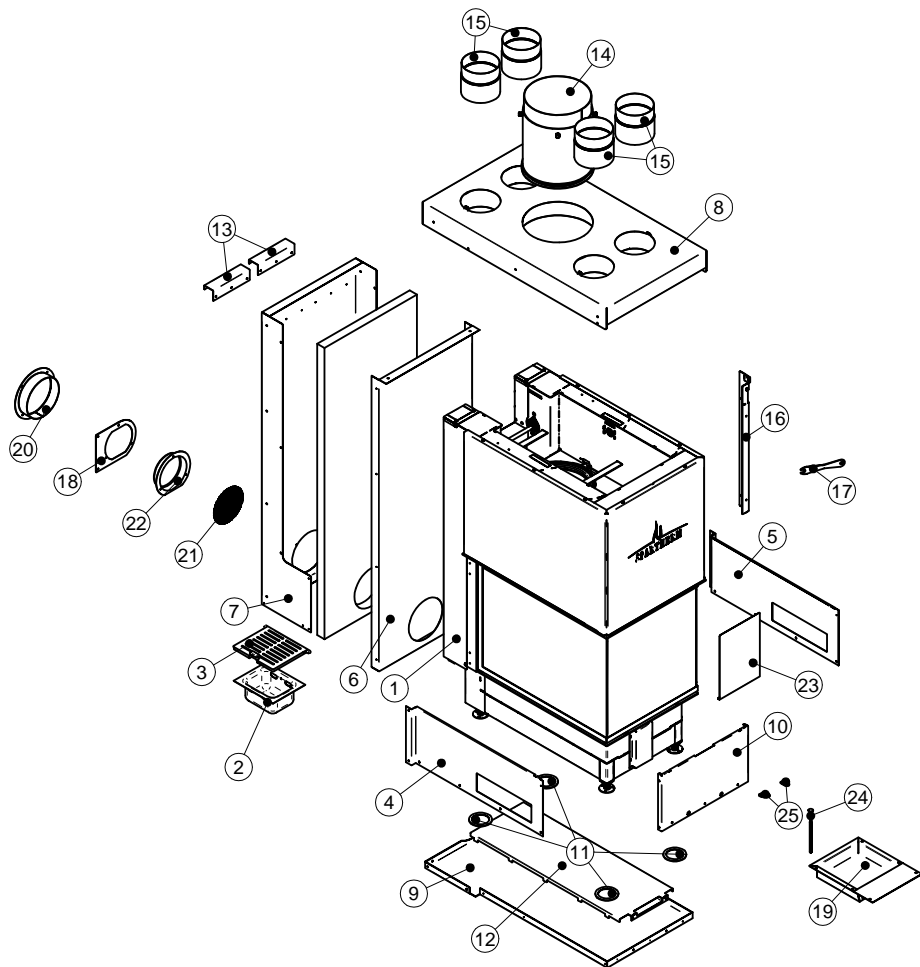
pos.	name
1	fireplace insert, Arte 3RL100h
2	ash pan
3	ash grating
4	ZCM-module, side wall left
5	ZCM-module, side wall right
6	ZCM-module, back wall left
7	ZCM-module, back wall right
8	ZCM-module, top
9	ZCM, floor panel
10	ZCM, front plate
11	spacer
12	flue gas connection, height adjustable Ø250mm
13	convection air port
14	lever
15	operational tool, 0° straight
16	air valve, fixed
17	air box with closed primary air flap
18	mantel guideway, round
19	mesh for small animals, round
20	separate combustion air connector
21	label holder
22	bolt
23	hand plate
24	front ledge
25	location ring

8.14. ARTE U-50h-2016



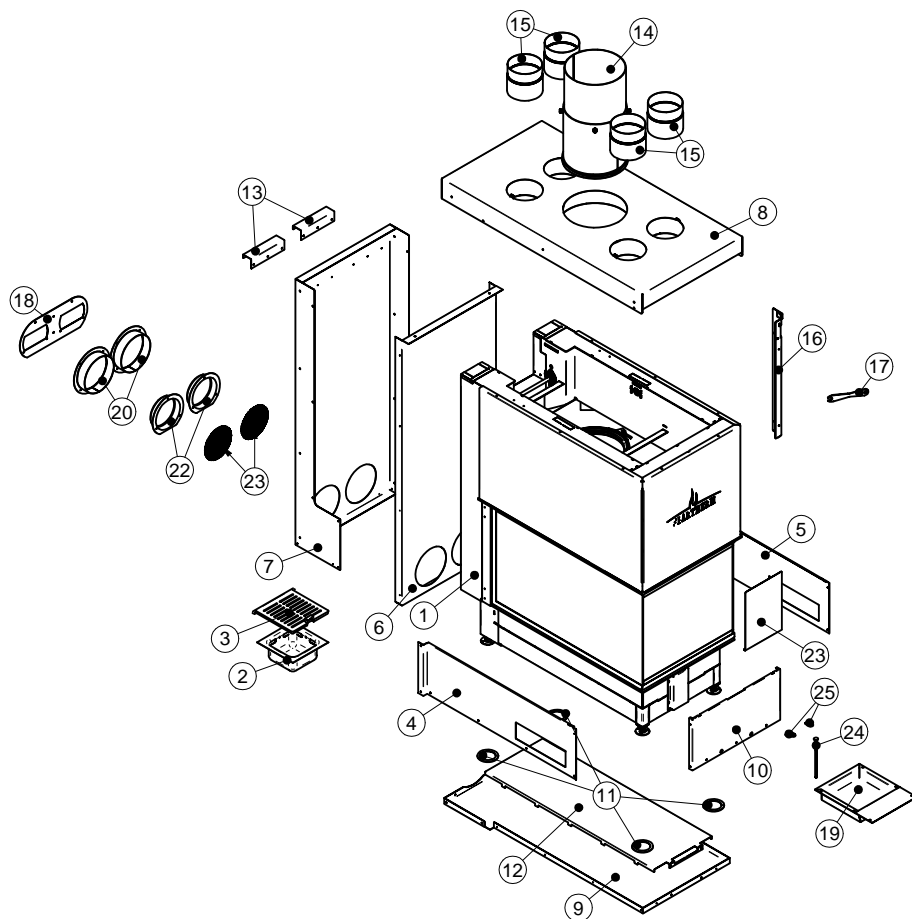
Pos.	name
1	fireplace insert, Arte U-50h-2016
2	ash pan
3	ash grating
4	ZCM-module, side wall left
5	ZCM-module, side wall right
6	ZCM-module, back wall exterior
7	ZCM-module, back wall interior
8	ZCM-module, top exterior
9	ZCM-module, top interior
10	ZCM, floor panel
11	ZCM, front plate
12	location ring
13	radiationshield
14	spacer
15	flue gas connection, height adjustable Ø250mm
16	convection air port
17	lever
18	operational tool, 0° straight
19	air deflector
20	air box with closed primary air flap
21	mantel guideway, round
22	mesh for small animals, round small
23	separate combustion air connector
24	label holder
25	bolt
26	hand plate

8.15. ARTE U-70h-2016



Pos.	name
1	fireplace insert, Arte U-70h-2016
2	ash pan
3	ash grating
4	ZCM-module, side wall left
5	ZCM-module, side wall right
6	ZCM-module, back wall exterior
7	ZCM-module, back wall interior
8	ZCM-module, top
9	ZCM, floor panel
10	ZCM, front plate
11	location ring
12	radiationshield
13	spacer
14	flue gas connection, height adjustable Ø250mm
15	convection air port
16	lever
17	operational tool, 0° straight
18	air deflector
19	air box with closed primary air flap
20	mantel guideway, round
21	mesh for small animals, round small
22	separate combustion air connector
23	label holder
24	bolt
25	hand plate

8.16. ARTE U-90h-2016



Pos.	name
1	fireplace insert, Arte U-90h-2016
2	ash pan
3	ash grating
4	ZCM-module, side wall left
5	ZCM-module, side wall right
6	ZCM-module, back wall exterior
7	ZCM-module, back wall interior
8	ZCM-module, top
9	ZCM, floor panel
10	ZCM, front plate
11	location ring
12	radiationshield
13	spacer
14	flue gas connection, height adjustable Ø250mm
15	convection air port
16	lever
17	operational tool, 0° straight
18	air deflector
19	air box with closed primary air flap
20	mantel guideway, round
21	mesh for small animals, round small
22	separate combustion air connector
23	label holder
24	bolt
25	hand plate

9. TROUBLESHOOTING



APPLIANCE MAY BE HOT, DO NOT SERVICE UNTIL APPLIANCE HAS COOLED.

DO NOT USE ABRASIVE CLEANERS.

Problem	Solution
Can't get the fire started.	<ul style="list-style-type: none">• Not enough kindling / paper? Add more.• Not enough air? Ensure air control is fully open. Also ensure that the air opening is not obstructed.• Cold air blockage? Burn a piece of paper to establish a draft.• Use dry seasoned wood.• Flue blockage? Inspect chimney.
Smokes when door is open.	<ul style="list-style-type: none">• Cold air blockage? Burn a piece of paper to establish a draft.• Insufficient draft? Add more pipe.• Let air stabilize before opening door.• Ensure baffles are positioned correctly.• Negative pressure? Open a window near the appliance.
Appliance emits odour.	<ul style="list-style-type: none">• Paint curing. See "GENERAL INSTRUCTIONS" section.
Stove doesn't burn hot enough.	<ul style="list-style-type: none">• Wood is too wet.• Insufficient draft? Add more pipe.• Not enough air? Ensure air control is fully open. Also ensure that the air opening is not obstructed.
Wood burns too fast.	<ul style="list-style-type: none">• Air control may need to be adjusted down.• Check to see ash plug is properly seated (if equipped).• Check door gasket for adequate seal.• Wood may be extremely dry.
Dirty glass.	<ul style="list-style-type: none">• Air control may be closed too far. Open air control more.• Burn hotter, smaller fires. Use well seasoned wood.

10. GENERAL WARRANTY TERMS AND CONDITIONS

10.1. GENERAL INFORMATION

This quality manufactured product is state of the art. The materials used were meticulously selected and are constantly checked, as is our entire production process.

Setting up or installing this product requires specialized knowledge. Our products may therefore only be installed and commissioned by specialized firms and in compliance with statutory regulations as amended.

10.2. WARRANTY PERIOD

The General Warranty Terms and Conditions apply only within the USA and Canada. The warranty period and scope of the warranty in accordance with these terms and conditions shall apply apart from the statutory guarantee, which remains unaffected.

Spartherm Feuerungstechnik GmbH gives a 5-year warranty on:

- Basic body fireplace inserts

Spartherm Feuerungstechnik GmbH gives a 24-month warranty on elevating mechanisms, operating devices such as handles, adjustment levers, shock absorbers, electronic and electrical components such as exhausters, governors, original spare parts, all purchased parts and safety devices.

Spartherm Feuerungstechnik GmbH gives a 6-month warranty on wearing parts around the fire, such as fireclay bricks, vermiculite, fire grates, seals and glass ceramics.

10.3. REQUIREMENT OF EFFECTIVENESS FOR THE WARRANTY

The warranty period starts on the date of delivery to the dealer / intermediary. This must be verified from a document such as an invoice with the dealer/intermediary's confirmation of delivery. The warranty certificate relating to the product must be produced by the claimant when making a warranty claim.

If such proof is not produced Spartherm Feuerungstechnik GmbH shall not be obliged to honour the warranty.

10.4. WARRANTY EXCLUSIONS

The warranty does not cover:

- wear and tear to the product
- Fireclay bricks/ vermiculite:

These are natural products subjected to expansion and contraction during the heating process. This may create cracks. For as long as the linings remain in position in the fire chamber and do not break up, they remain fully functional.

- the Surfaces:

Discoloration of the enamel or galvanized surfaces caused by thermal stress or overload.

- the elevating mechanism:

If the installation instructions are not correctly followed, resulting in overheating of the pulleys and bearings.

- the seals:

Reduced sealing due to thermal stress and hardening.

- the glass panesceramics:

Soiling caused by soot or burnt-in residues of burnt materials as well as visibly changed colour or other aspects due to thermal stress.

- improper transport and/or incorrect storage

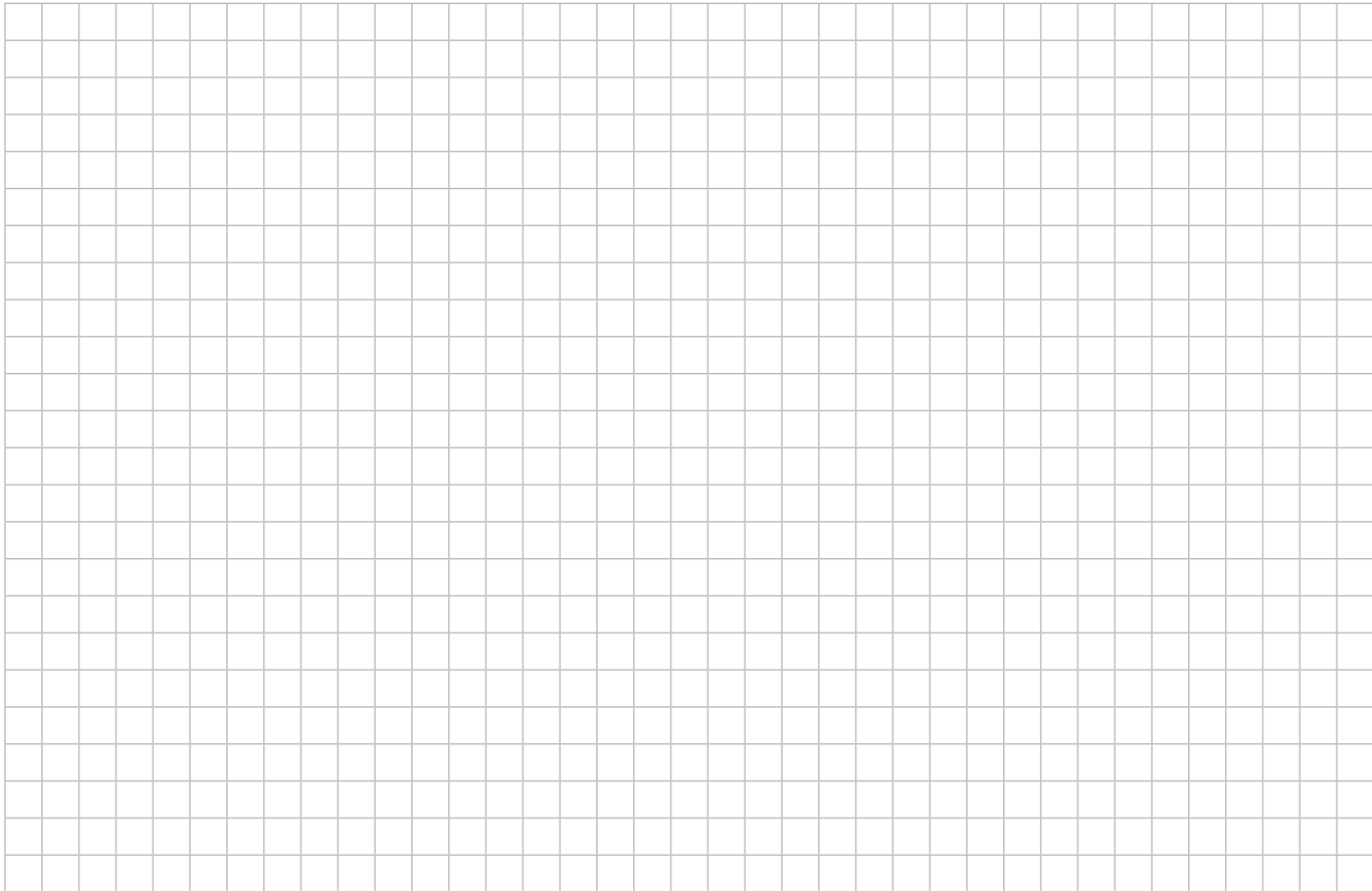
- improper handling of fragile components such as glass and ceramics
- improper handling and/or use
- lack of maintenance
- incorrect installation or connection of the unit
- Non-observance of the installation and operating instructions
- technical modifications to our the unit by third parties
- installation that does not comply with industry practice on installation instructions

10.5. NOTE

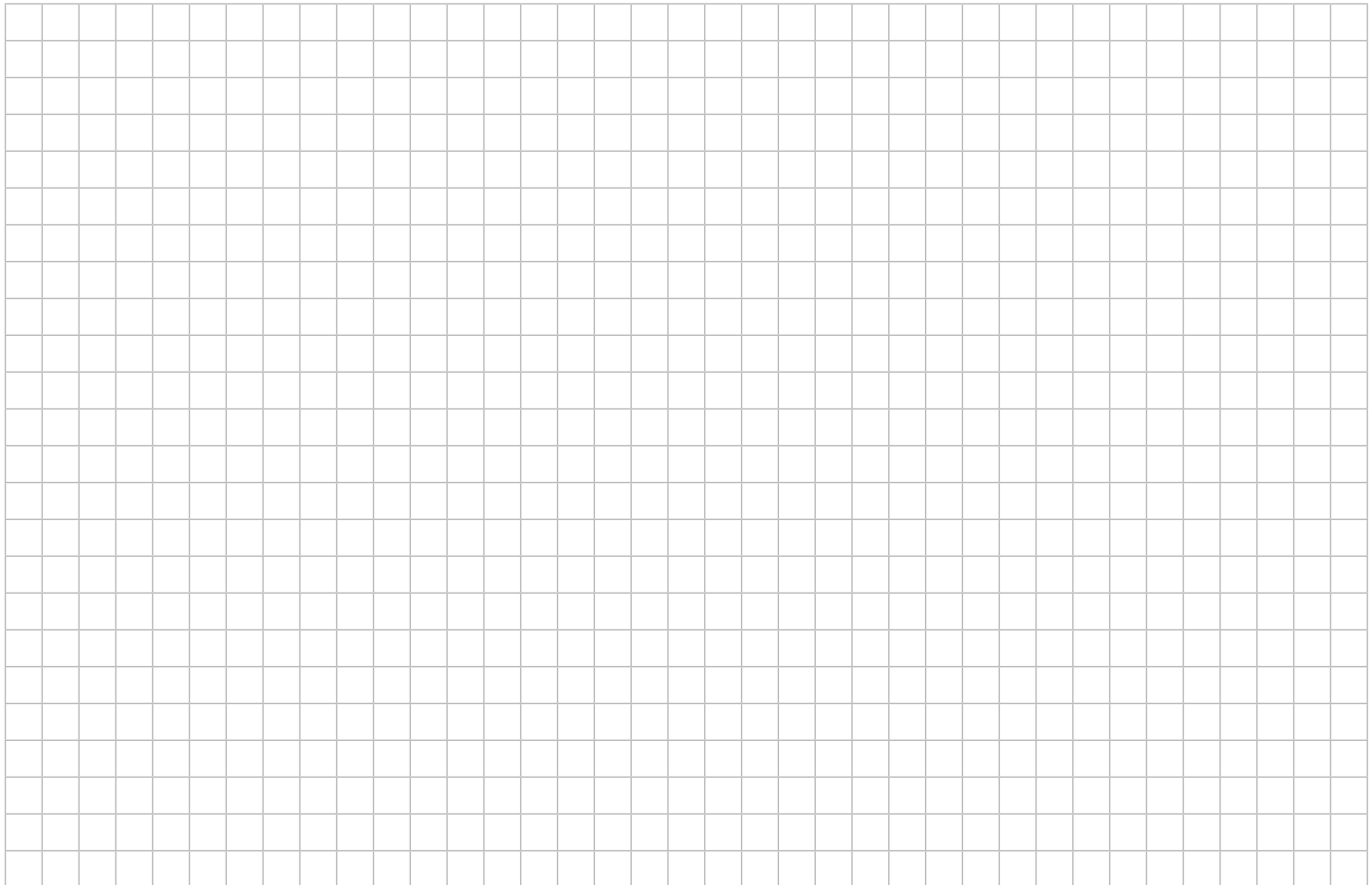
Your specialist dealer/contractor will gladly advise and assist you in matters not covered by our warranty terms and conditions and undertakings. We particularly advise you to have your fireplace insert/stove serviced regularly by a stove fitter.

Technical data subject to change errors and omissions excepted.

10.6. FOR YOUR INFORMATION



10.6. FOR YOUR INFORMATION



SPARTHERM

THE GLOBAL BRAND FOR YOUR LIVING ROOM

Your specialist dealer



Spartherm Feuerungstechnik GmbH · Maschweg 38 · D-49324 Melle
Phone +49 (0) 5422 94 41-0 · Fax +49 (0) 5422 9441-14 · www.spartherm.com