

STOVAX

Fire Your Imagination

Elise

Inset Convector Range



Instructions for Use, Installation & Servicing

For use in GB & IE (Great Britain & Republic of Ireland).

This edition incorporates installation in Smoke Control Areas.

IMPORTANT

THE OUTER CASING, FRONT AND GLASS PANEL BECOME EXTREMELY HOT DURING OPERATION AND WILL RESULT IN SERIOUS INJURY AND BURNS IF TOUCHED. IT IS THEREFORE RECOMMENDED THAT A FIREGUARD COMPLYING WITH BS 8423 (LATEST EDITION) IS USED IN THE PRESENCE OF YOUNG CHILDREN, THE ELDERLY OR INFIRM.

Do not attempt to burn rubbish in this appliance.

Please read these Instructions carefully before installation or use.

Keep them in a safe place for future reference and when servicing the fire.

The commissioning sheet found on page 3 of these instructions should be completed by the Installer.



Contents

Elise - Inset Convector

Covering the following models:

ELS-540-GLMF/ELS-540-GLW/ELS-540-MF/ELS-540-W/ELS-540T-GLMF/ELS-540T-GLW/ELS-540T-MF/ELS-540T-W/
ELS-680-GLMF/ELS-680-GLW/ELS-680-MF/ELS-680-W/ELS-850-GLW/ELS-850-W

Appliance Commissioning Checklist	3
User Instructions	4
Getting Started	4
User Instructions	6
Care & Maintenance.....	9
Troubleshooting	14
Installation Instructions.....	16
Installation Checklist.....	16
Pre-Installation Instructions	20
Installing the Appliance.....	24
Commissioning.....	34
Maintenance & Servicing.....	36
Technical Appendix.....	40
Spare Parts List.....	44
Service Records.....	50



If you have purchased your stove or fire from an authorised stockist within our Expert Retailer Network, then automatically your product will carry a 2 year warranty as standard. The 2 year warranty can be further extended to a total warranty period of 5 years by registering your Stovax Stove or Fireplace within one month of the latter of the purchase date or installation date. Accordingly, the start date for the warranty period is the date of purchase. During the registration process, the Expert Retailer details will be required for your Extended Warranty to be activated. Any product purchased outside of our Expert Retailer Network will carry a standard 12 month, non-extendable warranty.

It is a condition of the Extended Warranty that the installation complies with the relevant Building Regulations and is carried out by a suitably trained and qualified individual (HETAS in the UK or equivalent in other countries) with the certificate of installation and the Commissioning Report on Page 3 completed and retained by the end user.

Full terms and conditions are detailed in the Warranty Statement on the Stovax website www.stovax.com. In the event of any conflict of information the wording on the website shall prevail.

Important Note: Should any problems be experienced with your product, claims must first be submitted to the Expert Retailer where the appliance was purchased from who will offer immediate assistance or contact Stovax on your behalf.

Appliance Commissioning Checklist

To assist us in any guarantee claim please complete the following information:-

Dealer appliance was purchased from:

Name: _____

Address: _____

Telephone number: _____

Essential information - MUST be completed:

Date Installed: _____

Model Description: _____

Serial Number: _____

Installation Engineer:

Company Name: _____

Address: _____

Telephone number: _____

Commissioning Checks - to be completed and signed:

Is flue system correct for the appliance:	YES <input type="checkbox"/>	NO <input type="checkbox"/>
Flue swept and soundness test complete:	YES <input type="checkbox"/>	NO <input type="checkbox"/>
Smoke test completed on installed appliance	YES <input type="checkbox"/>	NO <input type="checkbox"/>
Spillage test completed	YES <input type="checkbox"/>	NO <input type="checkbox"/>
Use of appliance and operation of controls explained	YES <input type="checkbox"/>	NO <input type="checkbox"/>
Clearance to combustible materials checked	YES <input type="checkbox"/>	NO <input type="checkbox"/>
Instruction book handed to customer	YES <input type="checkbox"/>	NO <input type="checkbox"/>
CO Alarm Fitted	YES <input type="checkbox"/>	NO <input type="checkbox"/>
Sealed External Air Kit Fitted	YES <input type="checkbox"/>	NO <input type="checkbox"/>
Additional Commissioning Checks detailed in Sealed External Air Instructions (PM1233) completed	YES <input type="checkbox"/>	NO <input type="checkbox"/>

Signature: Print Name:

Getting Started

Welcome

Congratulations on purchasing your Elise fire, if installed correctly Stovax hope it will give you many years of warmth and pleasure for which it was designed.

The purpose of this manual is to familiarise you with your stove, and give guidelines for its installation, operation and maintenance. If, after reading, you need further information, please do not hesitate to contact your Stovax retailer.

1. General Points

- 1.1 Before installation and/or use of this appliance please read these instructions fully and carefully to ensure that you have fully understood their requirements.

The appliance must be fitted by a registered installer*, or approved by your local building control officer.

- 1.2 All local regulations, including those referring to national and European Standards need to be complied with when installing the appliance.
- 1.3 Only use for domestic heating in accordance with these operating instructions.
- 1.4 Only burn approved fuels.
Do not use with liquid fuels or as an incinerator.
- 1.5 Appliance surfaces become very hot when in use. Use a suitable fireguard[†] if young children, elderly or infirm persons are present.
Stovax offer firescreens, sparkguards and hearthgate systems for protection. Your Stovax dealer can advise you about these products.
- 1.6 Do not place photographs, TV's, paintings, porcelain or other combustible items on the wall or near the appliance. Exposure to hot temperatures will cause damage. Do not place furniture or other items such as drying clothing closer than 1m from the front of this appliance.

WARNING: Extra fuel should not be stored on or next to the appliance. Only keep enough fuel for immediate use nearby and never leave the appliance unattended for long periods with any combustible material in close proximity.

- 1.7 Extractor fans or cooker hoods must not be placed in the same room or space as this can cause appliance to emit fumes into the room.
- 1.8 Do not obstruct inside or outside ventilation required for the safe use of this appliance.
- 1.9 If installing with a dedicated Sealed External Air kit refer to separate instructions (PM1233) for any additional requirements.



†In the U.K. these products must conform to the latest edition of BS 8423, Fireguards for use with solid fuel appliances.

If appliance is operating unattended they must conform to the latest edition of BS 3248

***Registered on the Competent Persons Scheme (GB only see page 43/ INFO (Republic of Ireland)).**

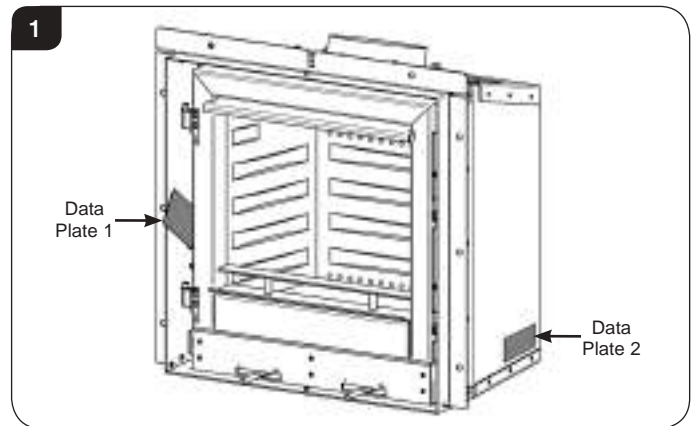
- 1.10 Do not make unauthorised changes to the appliance.
- 1.11 The chimney must be swept at least once a year.
See Section 14.
- 1.12 Do not connect, or share, the same flue or chimney system with another appliance.

SERIAL NUMBER

- 1.13 This number is required when ordering spare parts or making warranty claims.

It is found on the appliance data plates, see Diagram 1.

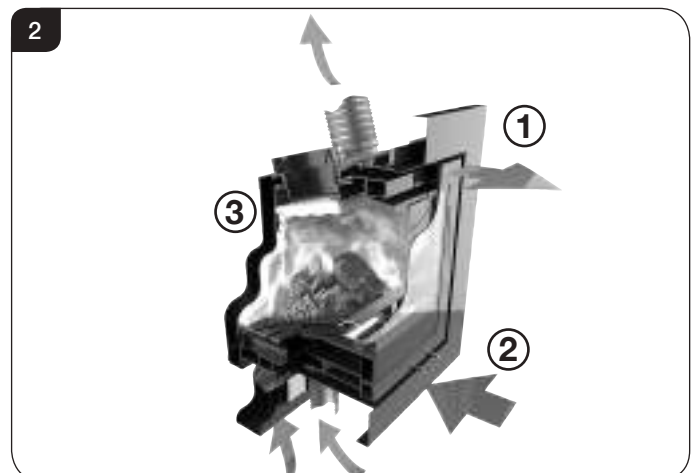
Data Plate 1: The door must be carefully removed to access the data plate.
Data Plate 2 (Outer Casing): Only viewable prior to installation.



Triple Air Systems

Several Stovax appliances have triple air systems providing cleaner burning, and greater efficiency and control. See Diagram 2.

- 1) **Airwash** - air drawn over the window cleans the glass. The source of Primary Combustion air when burning wood.
- 2) **Primary Air** - for use initially when establishing fires.
- 3) **Secondary Air** - Secondary air is preheated through a heat exchanger to combust unburned hydrocarbons, providing a cleaner and more efficient burn.

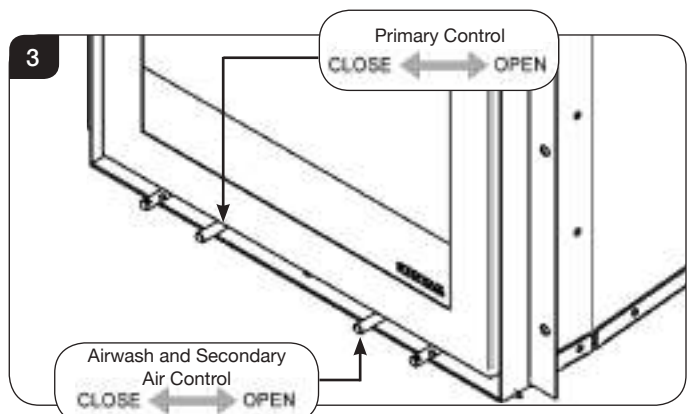


Getting Started

Airwash/Secondary and Primary Air Controls

1.14 The handles are cool to touch, however once in operation it is recommended to use a protective gloved hand to operate.

DO NOT OPERATE THE AIR CONTROLS WITH BARE HANDS



i **NOTE:** The travel of the Airwash/Secondary and Primary controls may be limited if the appliance has been set up to operate in a Smoke Control Area.

THIS MUST BE FITTED FOR USE IN SMOKE CONTROL AREAS.
The Smoke Control Restrictor applies to the following models:

Model	Code
Elise 540 Wood	ELS-540-W
Elise 540 Multi-fuel	ELS-540-MF
Elise 540 Wood - Glass	ELS-540-GLW
Elise 540 Multi-fuel - Glass	ELS-540-GLMF
Elise 540T Wood	ELS-540T-W
Elise 540T Multi-fuel	ELS-540T-MF
Elise 540T Wood - Glass	ELS-540T-GLW
Elise 540T Multi-fuel - Glass	ELS-540T-GLMF
Elise 680 Wood	ELS-680-W
Elise 680 Multi-fuel	ELS-680-MF
Elise 680 Wood - Glass	ELS-680-GLW
Elise 680 Multi-fuel - Glass	ELS-680-GLMF

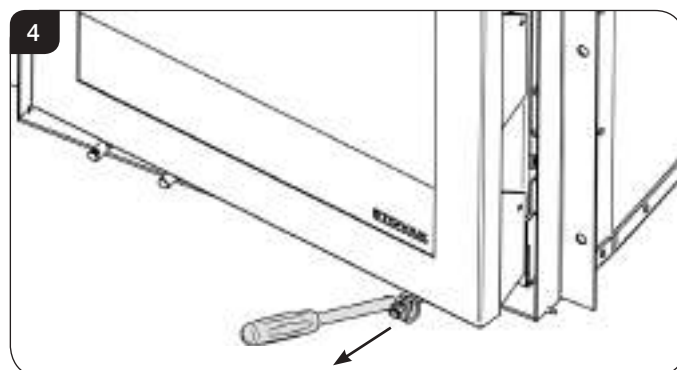
DOOR HANDLE

DO NOT OPEN THE DOOR WITH BARE HANDS

DO NOT OPEN THE DOORS WHEN THE FIREBOX IS FULL OF FLAMES - WAIT FOR THEM TO DIE DOWN.

1.15 Use a protective gloved hand to operate. Locate tool over door stub to engage.

1.16 Pull to open, see Diagram 4.



WARNING

! Properly installed, operated and maintained this appliance will not emit fumes into the room but occasional fumes from de-ashing and refuelling may occur.

Persistent fume emission is potentially dangerous and must not be tolerated.

If fume emission persists:

- Open doors and windows to ventilate the room.
- Leave the room.
- Allow fire to burn out or safely dispose of fuel from the appliance.
- Check for chimney blockage and clean if required.
- Do not attempt to relight until the cause of the emission has been identified and corrected.
- If necessary seek expert advice.
- All open flued appliances can be affected by temporary atmospheric conditions which may allow fumes to enter the house. Because of this an electronic carbon monoxide detector conforming to the latest edition of BSEN50292 must be fitted in the same room as the appliance. The existence of an alarm must not be considered a substitute for ensuring regular servicing and maintenance of the appliance and chimney system.

IF THE ALARM SOUNDS FOLLOW THE INSTRUCTIONS GIVEN ABOVE.

User Instructions

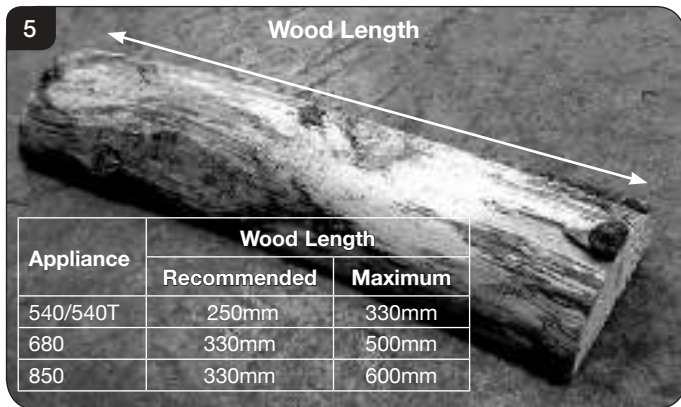
2. Using the Appliance for the First Time

- 2.1 To allow the appliance to settle, and fixing glues and paint to fully cure, operate the appliance at a low temperature for first few days.
- 2.2 Do not touch the paint during the first period of use.
- 2.3 During this time the appliance may give off some unpleasant odours. Keep the room well ventilated to avoid a build-up of fumes.
- 2.4 Please be aware that, during use, rope seals may discolour. This is normal.

3. Recommended Fuels

3.1 Wood Logs:

Burn only seasoned timber with a moisture content of less than 20%. To ensure this allow cut wood to dry for 12 to 18 months.



Poor quality timber:

- Causes low combustion efficiency.
- Produces harmful condensation.
- Reduces effectiveness of the airwash and life of the appliance.

Do not burn construction timber, painted, impregnated / treated wood, manufactured board products or pallet wood.

3.2 Solid fuel:

- Burn only anthracite or manufactured briquette smokeless fuels listed as suitable for use with closed heating appliances.

Do not burn bituminous coal, 'petro-coke' or other petroleum based fuels as this will invalidate the product guarantee.

3.3 Fuel consumption:

As tested at nominal heat output to the requirements of EN 13229: 2001 for intermittent operation:

Description	Fuel Consumption	
	Kg/hour Wood	Kg/hour Briquette Smokeless fuel
Elise 540/540T	1.45	0.70
Elise 680	2.17	1.00
Elise 850	2.71	N/A

- 3.4 For advice on suitable solid fuels: Contact your local approved coal merchant*.

A number of factors can affect the performance of the appliance. See *Troubleshooting Section* for details.

Fuel Overloading

The maximum amount of fuel specified in this manual should not be exceeded, overloading can cause excess smoke.

4. Smoke Control Kit

This section applies to the Elise products listed:

Product Code	Appliance
RA503992	Elise 540 Wood
RA503993	Elise 540 Multi-fuel
RA504319	540T Wood
RA504320	540T Multi-fuel
RA503999	Elise 680 Wood
RA504000	Elise 680 Multi-fuel

- 4.1 The Elise models listed are supplied with a smoke control kit and have been independently tested to PD6434 making them exempt from the controls that generally apply in Smoke Control Areas.
- 4.2 These models are suitable for use in a Smoke Control Area when burning wood and following the instructions for use specified in this manual but **ONLY** if the Smoke Kit has been fitted.



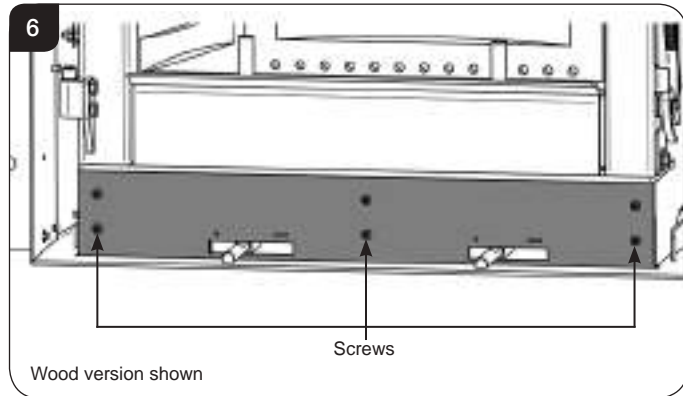
***In the U.K.:**

- Ring the Solid Fuel Association advice line on 0845 601 4406 for details
- Visit their web site at www.solidfuel.co.uk

User Instructions

- 4.3 If fitted, the Smoke Control kit is attached to the front of the appliance via 6 screws. The door must be carefully removed to take off the supplied panel and fit the Smoke Control plate, see Diagram 6.

Take care when manoeuvring over the air controls and riddling handle (multi-fuel version only).



This will limit the movement of the Air Controls to ensure the appliance operates in a manner that conforms to the emissions standards for a Smoke Control Area.

- 4.4 To meet the requirements of a Smoke Control Area the appliance **MUST** be operated correctly in order to minimise the amount of smoke produced.

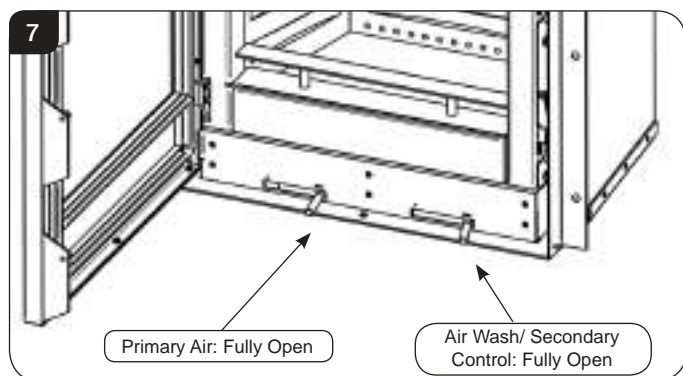
i If these models are installed outside of a Smoke Control Area then fitting the smoke control kit is not necessary.

Fitting the smoke control kit should only be done by a suitably qualified installer and must be done at the time of installation.

These instructions must be left with the User.

5. Lighting the Appliance

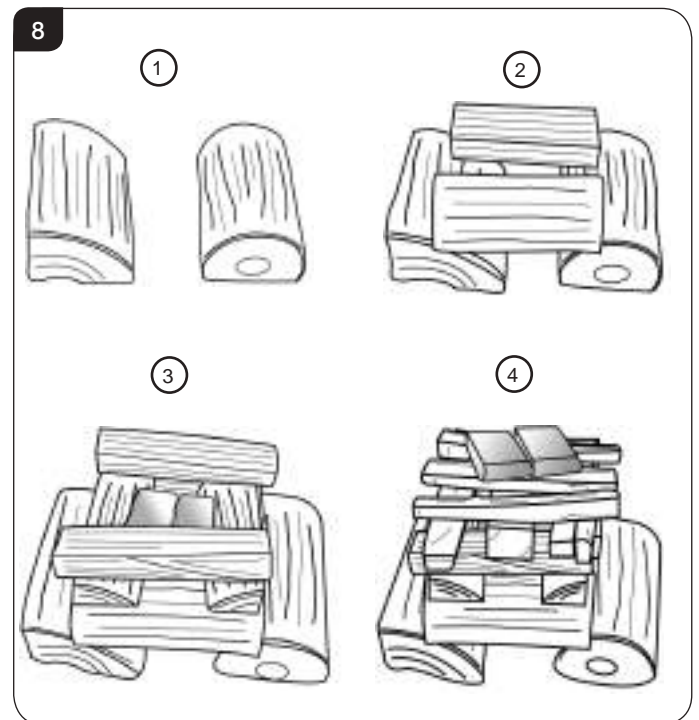
- 5.1 For best results set air controls as shown, see Diagram 7.



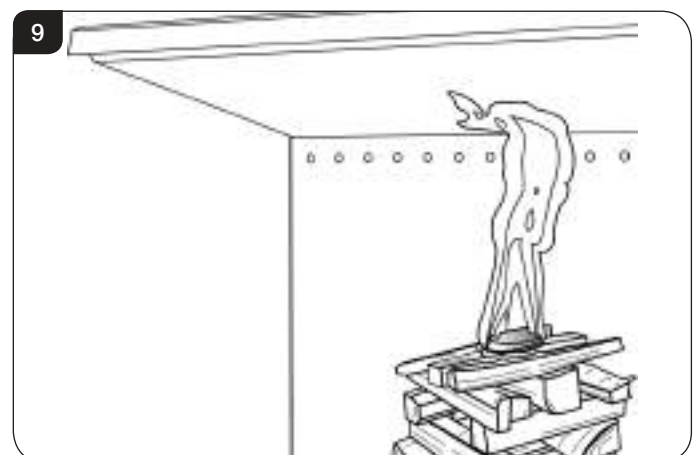
- 5.2 If the appliance has been previously used rake any ash remaining from the previous burn level in the firebox. Approximately 25mm of ash can be left for a good base for starting the new fire. Take care as hot embers can remain in the fuel bed for a long time after the stove was last used.

- 5.3 To create an open stack for top down lighting:

1. Place two medium sized logs parallel on the base of the firebox.
2. Place two smaller logs on top running parallel across the bottom logs.
3. Continue to build the stack using smaller logs and place firelighters in the centre.
4. Finish the stack by adding two further logs and placing firelighters on top. Add extra smaller kindling if desired.



- 5.4 Light the upper firelighters. This will create a flame that will ignite the logs/ kindling whilst warming the flue to accelerate the flue draw, see Diagram 9.



- 5.5 Adjust the operating air controls to the maximum, or start-up, setting and close the door.
- 5.6 Leave the fire to establish and develop a glowing firebed (this may take 30 to 45 minutes or more in some cases).

User Instructions

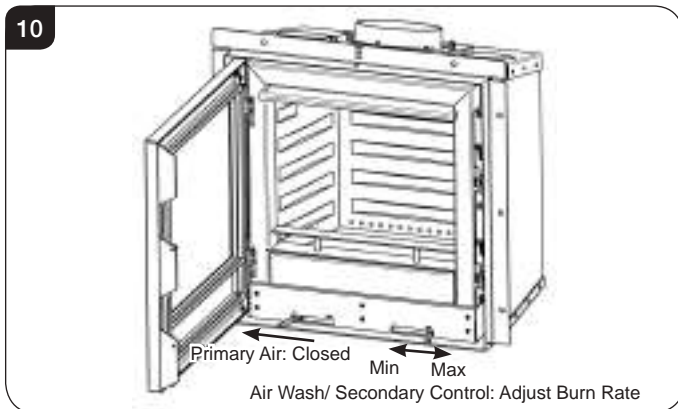
- 5.7 Once the fire has established refuel as described in Section 6.
- 5.8 Close the door and follow the instructions for Running the Appliance.
Do not run with the door slightly open except for initial lighting as this could cause over-firing and damage the appliance.
If fitted with an external air kit do not run at anytime with the door open.

WARNING: DO NOT OPERATE THE APPLIANCE WITH THE PRIMARY AIR CONTROL OPEN FOR LONG PERIODS OF TIME AS THIS COULD CAUSE OVER-FIRING AND MAY CAUSE PERMANENT DAMAGE.

6. Running the Appliance

Burning Wood

- 6.1 Close the **Primary air control** and use the **Airwash/ Secondary air control** to control the burn rate when appliance is at operating temperature, see Diagram 10.



Wood burns best on a bed of ash (approx. 25mm (1") deep). It is recommended to regularly check there is no ash build up in the primary air holes in the back brick. This can be easily removed with a soft brush.

- 6.2 Do not burn large amounts of fuel with the **Airwash/ Secondary Air Control** closed for long periods of time. This reduces the glass cleaning effect of the Airwash and causes tars and creosotes to build-up in the appliance and flue system.
- 6.3 When in use, burning the appliance at a high temperature for a short period reduces tars and creosotes.
WARNING: DO NOT OPERATE THE APPLIANCE WITH THE PRIMARY AIR CONTROL OPEN FOR LONG PERIODS OF TIME AS THIS COULD CAUSE OVER-FIRING AND MAY CAUSE PERMANENT DAMAGE.

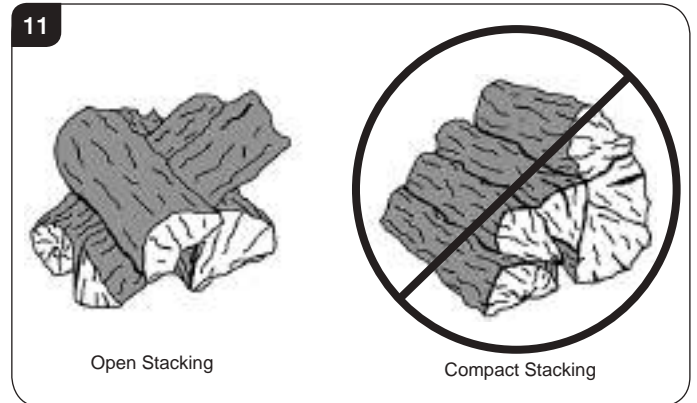
Experience establishes settings to suit personal preference.

Refuelling

- 6.4 Open the Primary and Airwash/secondary air controls fully.

Rake the embers evenly over the firebed to establish a glowing firebed. If the firebed is low add a small amount of kindling wood to help re-establish the fire.

Stack the logs in an open arrangement, see Diagram 11.



Open stacking allows oxygen to easily reach every part of the fire.

Compact stacking will make the wood burn slower as fire can only reach the outside of the wood. This will cause the fire to smoulder and produce smoke.

- 6.5 After refuelling:
Burn the new logs at a high temperature for a few minutes before closing the Primary Air control. Adjust the burn rate using the Airwash control.
- Do not close the air controls until the fire is burning well.**
- 6.6 Experience establishes settings to suit personal preferences.
- 6.7 **Do not** burn large amounts of fuel with the **Airwash/ Secondary air control** closed for long periods of time. This reduces the glass cleaning effect, causes tars and creosotes to build-up in the appliance and flue system and will produce excessive amounts of smoke.
- 6.8 When in use, running the appliance at a high temperature for a short period also reduces tars and creosote.
- 6.9 When running the appliance **refuel little and often for clean, efficient burning.**
- 6.10 Wood burns best on a bed of ash (approx. 25mm (1") deep).
A bright and clean firebox indicates the appliance is burning well.
- 6.11 **Do not burn continuously with the door open.**

Care & Maintenance

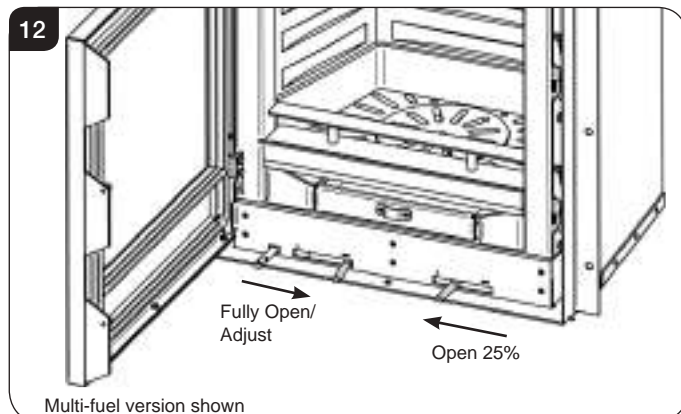
Burning Solid Fuel

- 6.12 To burn wood and smokeless fuels a multi-fuel kit must be fitted.

Only for use with recommended fuels, (see User Instructions, Section 3).

- 6.13 Allow the fire to become established before adding the solid fuel, see section 3.

When the fire becomes established reduce the **Airwash/ Secondary air control** to approximately **25%** open and control the burn rate using the **Primary air control only**.



Refuelling

- 6.14 De-ash the grate before re-fuelling (see *User Instructions, Section 9*).

Open the **Primary Air Control** fully to establish a glowing bed before adding new fuel.

- 6.15 Add the correct amount of fuel, see Section 3.

- 6.16 **Close the door immediately after refuelling.**

Burn new fuel at a high temperature for a few minutes before adjusting the **Primary Air Control** to the desired setting.

Refuel little and often for clean, efficient burning.

When burning solid fuel more primary air will increase the heat output and burn the fuel more quickly.

A small amount of Airwash can sometimes help to keep the glass clean but will reduce efficiency.

- 6.17 Experience establishes settings to suit personal preference.

- 6.18 Do not burn large amounts of fuel with the **Primary Air Control** on a low combustion setting for long periods of time. This reduces the glass cleaning effect of the Airwash and causes tars and creosotes to build-up in the appliance and flue system.

- 6.19 When in use, burning the appliance at a high temperature for a short period reduces tars and creosotes.

WARNING: DO NOT OPERATE THE APPLIANCE WITH THE PRIMARY AIR CONTROL FULLY OPEN FOR LONG PERIODS OF TIME AS THIS COULD CAUSE OVER-FIRING AND MAY CAUSE PERMANENT DAMAGE.

- 6.20 **Only anthracite or smokeless fuels suitable for use in closed appliances must be burned in this appliance.**

- 6.21 **Do not burn bituminous coal, 'petro-coke' or other petroleum based fuels as this invalidates the product guarantee.**

Shut Down

- 6.22 If there is still burning fuel in the firebox, Stovax do not recommend shutting down the air controls completely unless there is a chimney fire in progress (see Section 11 for advice). Closing the controls during the burning process will cause poor combustion and could lead to a build up of gasses that could ignite dangerously.

- 6.23 Always have enough air entering the stove to maintain some flame within the firebox.

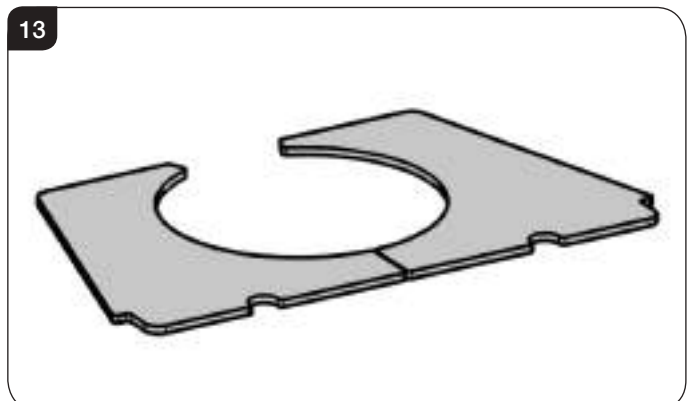
- 6.24 If it is necessary to shut down the appliance then run on a high setting until all of the fuel has been burnt before closing the air controls.

7. Woodburning Conversion Kit

In order to burn wood continuously in a Multi-Fuel product Stovax advise fitting a Woodburning Conversion kit to your appliance.

The kit focuses primary air to the centre of the appliance which helps to establish a flame and also replicates the recommended conditions for burning wood.

For details on purchasing a Woodburning Conversion kit for this appliance contact your retailer.

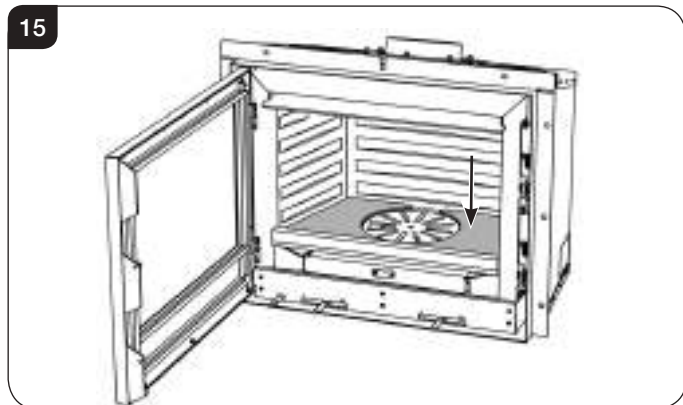
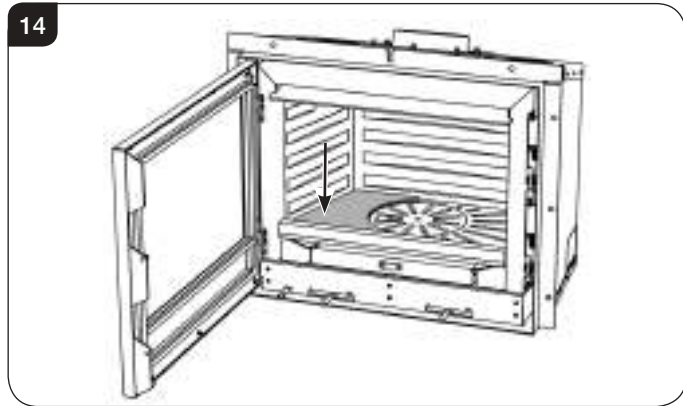


Care & Maintenance

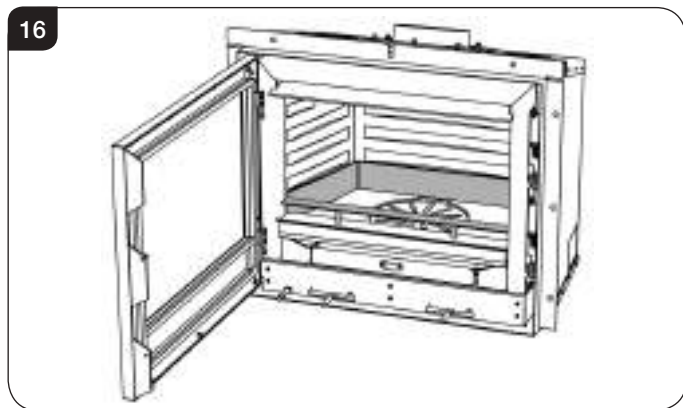
To fit the Woodburning Conversion kit:

- 7.1 Remove the Log Guard and Brick Protector (see Pre-Installation, Sections 4 & 5).
- 7.2 Manoeuvre the left hand Woodburning plate carefully through the firebox at an angle.

Place flat on the grate and repeat for the right hand side, see Diagrams 14 & 15.



- 7.3 Replace the brick protector and the Log Guard, see Diagram 16.



8. Extended Burning

- 8.1 It is possible to get the appliance to burn for extended periods of time. In order to do this:
 - De-ash prior to final refuelling.
 - Burn new fuel at a high temperature for a few minutes before closing the **Primary Air Control**.
 - Set Airwash/Secondary Air Control to low combustion settings.
This will gradually blacken the glass but it will clear when operated at a high temperature for a short period.

NOTE: An appliance without a Smoke Control kit fitted will burn longer than an appliance that complies to the restrictions of a Smoke Control Area, see Section 4.

9. Ash Removal

Do not allow ash to build up as it may cause damage and adversely effect the performance of the appliance. Warning: Ash can remain hot long after appliance has been in use.

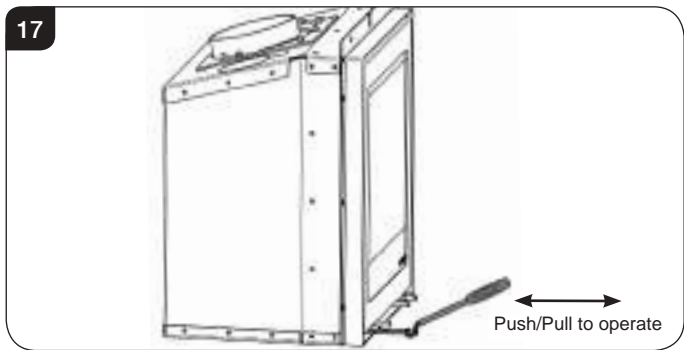
- 9.1 **Wood versions only.**
 - Open the door.
 - Leave a layer of ash to start the new fire on. Wood burns best on a bed of ash (approx. 25mm (1") deep). It is recommended to regularly check there is no ash build up in the primary air holes in the back brick. This can be easily removed with a soft brush.
 - Remove ash with a small shovel and place into an Ash Caddy (Part No. 4227) or other suitable container.

Take care not to damage the ceramic lining of the appliance. Do not use sharp pointed objects

Do not place hot ash in any container made from plastic or any other combustible material.

- De-ash at least once a week.

- 9.2 **Multi-fuel Versions**
 - De-ash the appliance before filling with new fuel. Do not allow ash to build up on the underside of the grate as this can cause premature failure.
 - Riddle with the tool provided, see Diagram 17.



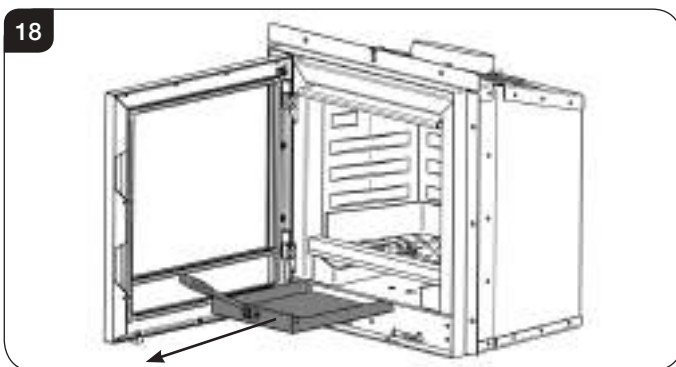
Care & Maintenance

— Move the Riddling Tool backward and forward 3 or 4 times to remove the ash. Do not force the handle beyond its natural stop point. The ash will fall into the ashpan.

— Open the Door.

Warning: Ash can remain hot long after appliance has been in use.

Using gloves, carefully remove ashpan using tool supplied, see Diagram 18. Ensure the tool is fully engaged before operation. Practise this technique before hand with a cold ashpan.



— Place the ash into a Stovax Ash Caddy (Stovax Part No. 4227) or other suitable container.

— Check and remove ash as often as required when burning solid fuel.

CARE MUST BE TAKEN NOT TO DROP ASH INTO THE CUTOUTS IN THE GRATE SUPPORTS.

— De-ash at least once a week.

Do not place hot ash in a container made from plastic or any other combustible material.

10. Over-Firing

10.1 Do not over-fill with fuel or run at high temperatures for long periods or over-firing can occur.

DO NOT OPERATE THE APPLIANCE WITH THE PRIMARY AIR CONTROL OPEN FOR LONG PERIODS OF TIME AS THIS COULD CAUSE OVER-FIRING.

10.2 **Over-firing can cause permanent damage to the appliance and invalidate the product warranty.**

11. Chimney Fire

11.1 **If a chimney fire occurs:**

— **Shut all air controls immediately.**

— **Evacuate the building.**

— **Call the fire brigade.**

— **Do not re-enter the building until it is confirmed safe.**

11.2 **Do not use the appliance after a chimney fire until:**

a) **It has been inspected by a registered installer*, confirming the appliance is safe to use.**

b) The chimney system has been inspected and swept by a chimney sweep, confirming the system is structurally sound and free from obstruction*.

c) **It is repaired as required before re-use.** Use only genuine Stovax replacement parts to keep your appliance in safe, efficient working order.

12. General Cleaning

12.1 Clean and inspect the appliance regularly, especially in periods of heavy use. Regular cleaning and maintenance will help give many years of safe use.

12.2 **Allow appliance to cool thoroughly to avoid risk of burns.**

12.3 Clean regularly, according to level of use.

12.4 Remove the ash completely (see *User Instructions, Section 9*).

12.5 Check internal components for damage - grates, bricks, baffles - and for obvious build up of soot, ash or debris above the flue baffle (this can be found in the upper part of the firebox). Use a torch if necessary.

12.6 If there are any signs of a build up of debris above the flue baffle either:

— Arrange for the chimney to be swept (see *User Instructions, Section 14*).

— Remove the baffle and clear the debris (see *Pre-Installation Sections*).

12.7 To refresh painted finishes a touch up spray is available. Contact your Stovax retailer quoting the serial number found on the appliance data badge.

Do not use aerosol sprays near an operating appliance.

12.8 If an external air kit is fitted check the external air vent is not obstructed.



*Registered on the Competent Persons Scheme (GB only) see page 43/ INFO (Republic of Ireland).

Care & Maintenance

13. Cleaning Glass

- 13.1 Keep the glass clean with correct use of the Airwash system and good quality fuel.
- 13.2 Sometimes additional cleaning may be required. Before undertaking this operation allow appliance to cool fully. Do not clean hot glass.
- 13.3 **On appliances with printed glass do not use cleaning agents that have a high alkaline or acidic content, for example Stovax Gel Cleaner, these are aggressive cleaning agents designed to be used with heavily stained clear glass. On printed glass surfaces, use Stovax Glass Cleaner (Stovax No.4103) which is better formulated for this application.**
- 13.4 Before applying a cleaning agent remove any dust and loose soot with a damp cloth.
- 13.5 Use an appropriate glass cleaner. Apply the cleaning fluid to a cloth before rubbing onto the glass. Apply carefully and do not apply excessively. Try to prevent any run off which could soak into the rope seals around the edge of the glass.
Soot can also contain acidic particles that can cause corrosive damage to printed glass.
- 13.6 Remove dirt with a moist cloth and buff dry.
- 13.7 **Some types of wood can cause a white residue to form on the glass. If this occurs it should be cleaned off at least once a week during periods of heavy usage. If the liquid cleaning agents recommended do not remove this residue Stovax offer a dry cleaning pad which will help remove heavy stains.**
- 13.8 Before relighting the appliance ensure the glass is fully dried. If the rope seal has absorbed excess cleaning agent it is advisable to replace the rope as soon as possible to preserve the printed finish of the glass.

14. Chimney Sweeping

- 14.1 To maintain safe and efficient use of the appliance, the chimney/flue must be inspected and swept at least once a year by a qualified chimney sweep*.

If the appliance is used continuously throughout the year, or it is used to burn wood, more frequent sweeping is recommended.

The best time to have the chimney swept is at the start of the heating season.
- 14.2 The chimney, any connecting flue pipe and the appliance flue ways, if incorporated, must be regularly cleaned.

- 14.3 Ensure adequate access for cleaning where it is not possible to sweep through the chimney.
- 14.4 If the chimney is believed to have previously served an open fire it must be swept a second time within a month of regular use after installation.

15. Care Of Stove

Stovax has a range of cleaning and maintenance products and accessories to keep your appliance in good working order. Your Stovax retailer can advise you on suitable items for your stove and provide genuine spare parts such as replacement glass, door sealing rope and firebricks. View the extensive range at www.stovax.com by clicking on *Accessories*. In addition, an annual service by a competent engineer is recommended to keep your stove in the best possible condition.



16. Seasonal Use

- 16.1 Clean and service the appliance if not used during the warmer months, as detailed in the *Maintenance and Servicing* section.
- 16.2 Set the air controls to 50% to keep the appliance ventilated and stop the build-up of any moisture inside.
- 16.3 Before re-lighting the appliance:
 - Remove the baffles.
 - Clear any debris that may have accumulated.
 - Check the flue is clear of any blockages.

17. Optional Extras

Fan Kit

- 17.1 This appliance can be fitted with an optional convection fan kit. The fan must be fitted at the time of installation. For installation and operating procedures you must refer to the instructions supplied with the fan kit.

Dedicated External Air Supply Kit

- 17.2 The Stovax Elise has a dedicated air system that allows the supply of air directly to the appliance without the need for an air brick to be added to the room where it is installed for additional ventilation.

The design and use of a Dedicated External Air Supply is not currently covered by HETAS product approval, however may be installed if fitted and commissioned in accordance with the manufacturers instructions and Building Regulation compliance.

The Stovax Elise can be converted for use with a sealed dedicated external air supply by the addition of an optional kit - ask your retailer for details.

This innovative feature removes the need for a permanently open air vent into the room, eliminating draughts and improving heating efficiency.

IT IS IMPORTANT TO UNDERSTAND AND COMPLY WITH ANY ADDITIONAL COMMISSIONING REQUIREMENTS WHEN THIS KIT IS FITTED.

Warm Air Ducting Kit

- 17.3 This appliance can be fitted with an optional Warm Air Ducting kit to help circulate warm air to other rooms in the house.

This operation may require additional ventilation in order to comply with building regulations and a qualified installer should be consulted before fitting.

The Ducting kit must be fitted at the time of installation. For installation and operating procedures you must refer to the instructions supplied with the Warm Air Ducting kit.

Woodburning Conversion Kit

- 17.4 The appliance can be fitted with an optional kit which aids Multi-Fuel stoves with the continual burning of wood. The kit focuses primary air to the centre of the appliance which helps to establish a flame and replicates the recommended conditions for burning wood. For details on purchasing a Woodburning Conversion kit for this appliance contact your retailer.

Troubleshooting

Troubleshooting

	Symptom	Cause	Solution
OPERATION	Difficulty starting the fire and keeping it burning well	Low flue draught	Consult your installer
		Wet wood (over 20% moisture)	Use dry seasoned wood (less than 20% moisture content)
	Poor burning control	High flue draught	Consult your installer
	Short burn times	Wet wood (over 20% moisture) Insufficient amount of fuel - Refer to the table in section 3	Use dry seasoned wood (less than 20% moisture content)
	Excessive heat output (Over firing)	High flue draught	Consult your installer
		Air control left fully open	Close air control to reduce output
	Low heat output	Low flue draught	Consult your installer for advice on suitable flue system
		Wet wood (over 20% moisture)	Use dry seasoned wood (less than 20% moisture content)
	Excessive fuel consumption	High flue draught	Consult your installer for advice on suitable flue system
		Over dry wood	Do not use constructional timber or pallet wood
SMOKE EMISSIONS	Smoke and small flames	Wet wood (over 20% moisture)	Use dry seasoned wood (less than 20% moisture content)
	Intermittent smoke spillage into room when appliance door is opened	Low flue draught	Consult your installer for advice on suitable flue system
		Incorrect additional ventilation air in to building	Consult your installer
	Continuous smoke spillage into room when appliance in use	Blocked flue	Open all doors and windows to ventilate the room. Allow the fire to burn out. Check flue for blockage. Do not re-use until cause of spillage is identified. Consult your installer for advice
Blue/grey smoke from chimney	Wet wood (over 20% moisture)	Use dry seasoned wood (less than 20% moisture content)	
ADVERSE WEATHER	Windy days, intermittent smoke spillage into room when appliance door is opened	Down draught in flue caused by air turbulence caused by nearby buildings or trees	Weather conditions combined with the flue terminal position can have an effect on the appliance performance. Consult your installer
	Calm days, intermittent smoke spillage into room when appliance door is opened	Over size flue giving poor flue draught	Weather conditions combined with the flue terminal position can have an effect on the appliance performance. Consult your installer
	Damp/Rainy days lighting and burning problems	Flue temperature low / rain water inside flue	Use good quality wood to start and maintain the fire, consult your installer to fit a rain cowl
	Wind noise from the air control	High flue draught	Consult your installer for advice on suitable flue system

Troubleshooting

Troubleshooting

	Symptom	Cause	Solution
THE APPLIANCE	Rapid creosote build-up in the chimney	Wet wood (over 20% moisture)	Use dry seasoned wood (less than 20% moisture content). Operate at a high temperature for short periods each time the appliance is used to avoid large build-ups of tars and creosotes
	Tar coming from flue joints	Appliance operated at continuous low temperatures	Operate at a high temperature for short periods each time the appliance is used to avoid large build-ups of tars and creosotes. See user instructions for correct use of air control
		Using poor quality wood	Use dry seasoned wood (less than 20% moisture content)
	Strong pungent smell after the appliance is lit	Appliance operated at continuous low output	Operate at high output for short periods. See user instructions for correct use of air control
		Using poor quality wood	Use dry seasoned wood (less than 20% moisture content)
	Wind noise from the air control	High flue draught	Consult your installer for advice on suitable flue system
	Dirty firebricks	Wet wood (over 20% moisture)	Use dry seasoned wood (less than 20% moisture content)
	Dirty glass	Wet wood (over 20% moisture)	Use dry seasoned wood (less than 20% moisture content)
	Glass blackening	Using poor quality wood	Use dry seasoned wood (less than 20% moisture content)
		Low flue draught	Consult your installer for advice on suitable flue system
Incorrect use of air control		See user instructions for correct use of air control	
Appliance operated at continuous low temperatures		Operate at high output for short periods. See user instructions for correct use of air control	

FLUES	The flue system has two main functions:
	<ul style="list-style-type: none"> - To safely remove the smoke, fumes and combustion gases from the building. - To provide a sufficient amount of flue draught (suction) in the appliance to ensure the fire keeps burning.
	The flue draught is caused by rising hot gases when the appliance is lit.
	Tar and creosote are a major cause of chimney fires. If the appliance experiences problems with tar build up consult a chimney sweep before continued use of the appliance.
	For advise on the correction of persistent flue problems consult a qualified heating engineer before continuing to use the appliance.

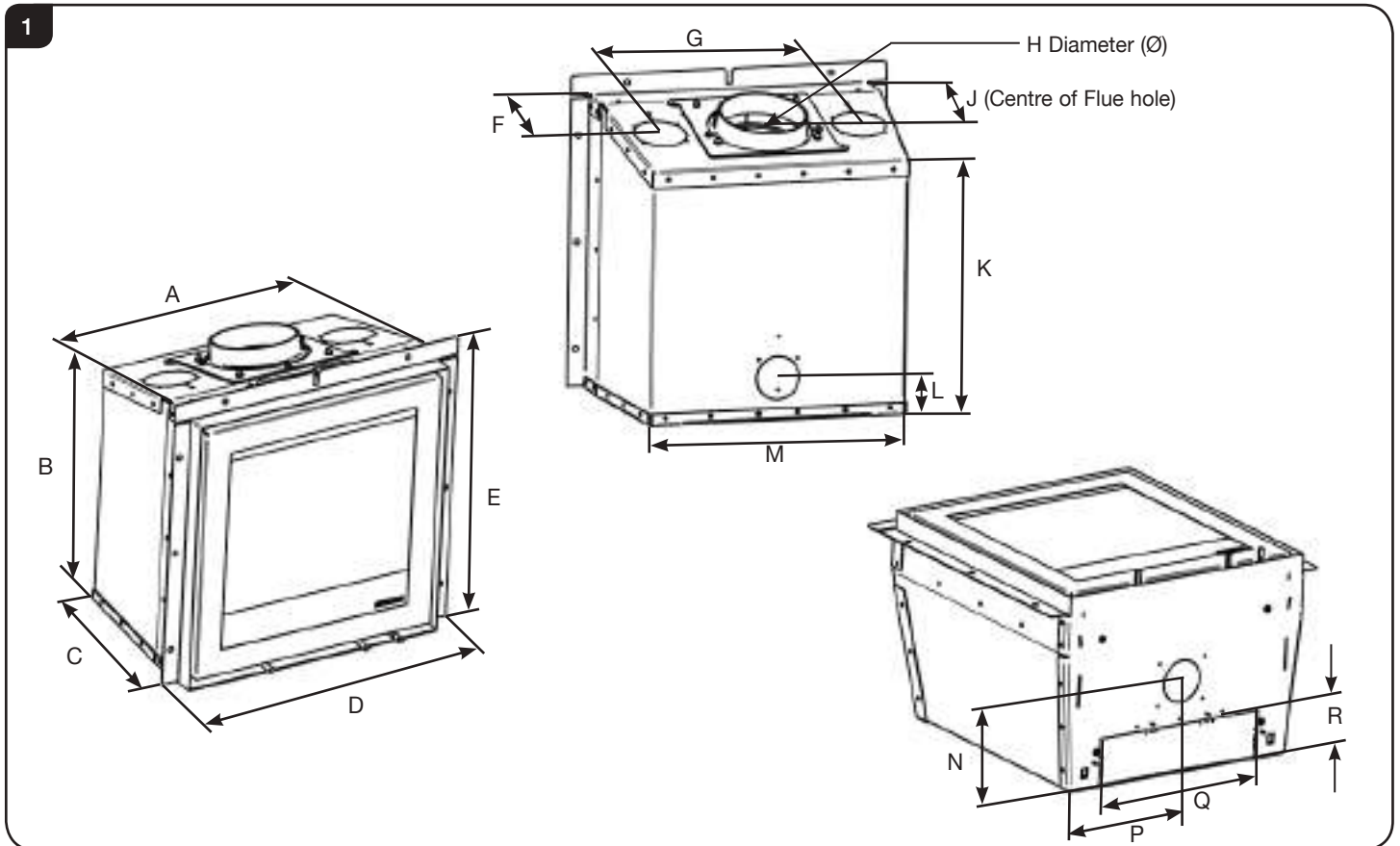
Installation Checklist

Please Note

This section is intended to give an overview of the product performance and essential information required for installing the appliance. It is intended for qualified engineers who are already familiar with Stovax products.

For full details and expanded information please see the **Technical Appendix at the back of this manual.**

1. Elise Dimensions



Description	A	B	C	D	E	F	G	H	J	K	L	M	N	P	Q	R
Elise 540	540	550	350	604	588	203	380	153 (6")	205	479	80	495	180	270	357	96.5
Elise 540T	540	720	350	604	758	203	380	153 (6")	205	649	80	495	180	270	357	96.5
Elise 680	680	550	395	744	588	250	440	153 (6")	250	479	80	635	180	340	357	96.5
Elise 850	850	630	395	914	668	250	500	153 (6")	250	559	80	805	180	425	598	96.5

All dimensions in mm. (25.4 mm = 1")



In the U.K. Additional information covering the installation of the appliance may be found in the following British Standards: BS EN 15287, BS6999, BS8303.

Installation Checklist

2. Essential Information

GENERAL	Model:		540 Wood	540 Multi-fuel	540T Wood	540T Multi-fuel	680 Wood	680 Multi-fuel	850 Wood	
	Elise 540 Wood									
	Elise 540 Multi-fuel									
	Elise 540T Wood									
	Elise 540T Multi-fuel									
	Elise 680 Wood									
	Elise 680 Multi-fuel									
	Elise 850 Wood									
	Nominal Heat Output	Wood	kW	5	5	5	5	7	7	9
		Solid Fuel	kW	N/A	5	N/A	5	N/A	8	N/A
Efficiency	Wood	%	81	80	77	76	77	76	75	
	Solid Fuel	%	N/A	83	N/A	79	N/A	79	N/A	
CO @ 13% O ₂	Wood	%	0.09	0.1	0.11	0.09	0.08	0.13	0.12	
	Solid Fuel	%	N/A	0.09	N/A	0.07	N/A	0.06	N/A	
Weight		Kg	92	102	108	120	119	138	153	
Recommended Fuels	Wood	Seasoned Wood (less than 20% moisture content)								
	Solid Fuel	Briquette smokless fuel suitable for closed appliances								

As tested to the requirements of EN 13229 for intermittent operation

FLUES	Flue/Chimney Size	With Liner of Factory made system (diameter) installed in accordance with manufacturers instructions	mm	153	153	153	153	153	153	153
			inch	6	6	6	6	6	6	6
	Flue/Chimney minimum height	All products	m	4.5	4.5	4.5	4.5	4.5	4.5	4.5
			feet	15	15	15	15	15	15	15
	Flue Draught	Min	mm Wg	1.0	1.0	1.0	1.0	1.0	1.0	1.0
		Nominal		1.5	1.5	1.5	1.5	1.5	1.5	1.5
		Max		2.0	2.0	2.0	2.0	2.0	2.0	2.0
	Flue Gas Mass Flow	Wood	g/s	4.3	3.2	3.2	3.2	6.3	5.2	7.6
	Flue Gas Temperature	Wood	°C	273	279	284	287	321	329	334
		Solid Fuel	°C	N/A	282	N/A	262	N/A	347	N/A
Flue Outlet Size (Top Option)		mm	153	153	153	153	153	153	153	
		inch	6	6	6	6	6	6	6	

European Min Spec for Chimney Flue - T400 N2 D 3 G50

VENTILATION	A) Traditionally Built Homes		B) Modern Construction Homes							
	• Where leakage is greater than 5m ³ /hour/m ² .		• Where leakage is less than 5m ³ /hour/m ² .							
	• Ventilation normally required = 550mm ² per kW output over 5kW		• Ventilation normally required = 550mm ² per kW							
	A	Additional Ventilation	mm ²	N/A	N/A	N/A	N/A	1100	1650	2200
			cm ²	N/A	N/A	N/A	N/A	11.0	16.50	22.0
			in ²	N/A	N/A	N/A	N/A	1.7	2.66	3.6
	B	Additional Ventilation	mm ²	2750	2750	2750	2750	3850	4400	4950
cm ²			27.5	27.5	27.5	27.5	38.5	44.00	49.5	
in ²			4.4	4.4	4.4	4.4	6.2	7.1	8.0	

For full technical details on ventilation see Technical Appendix on Page 40

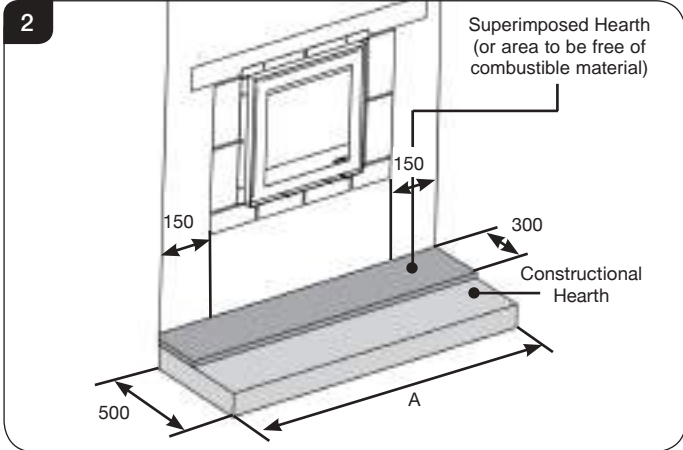
Installation Checklist

3. Minimum Dimensions - Hearth



If the appliance is installed 600mm or more from the floor only a superimposed hearth will be required.

If the installation is less than 600mm from the floor a superimposed and constructional hearth will be required.



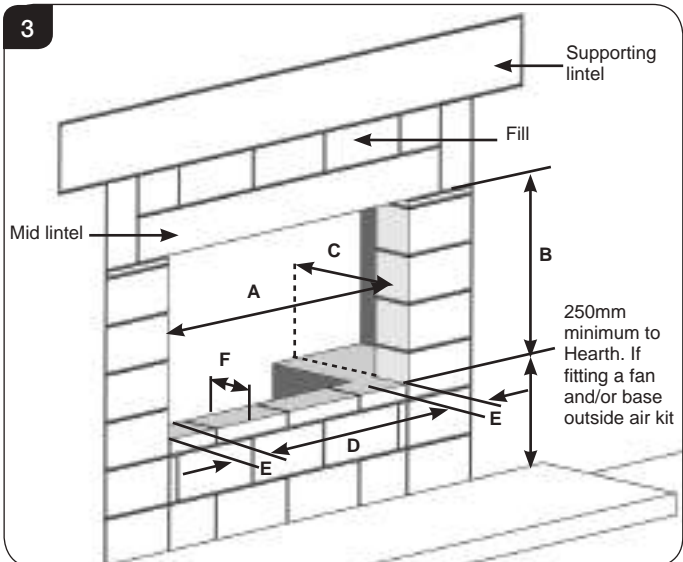
Dimension	A
Elise 540/540T Multi-fuel/ Wood	840
Elise 680 - Multi-fuel/ Wood	980
Elise 850 - Wood	1150

4. Minimum Builders Opening

The Elise is designed to be installed in a non-combustible builders opening.

To make installation easier make the opening slightly larger than the minimum requirements where possible.

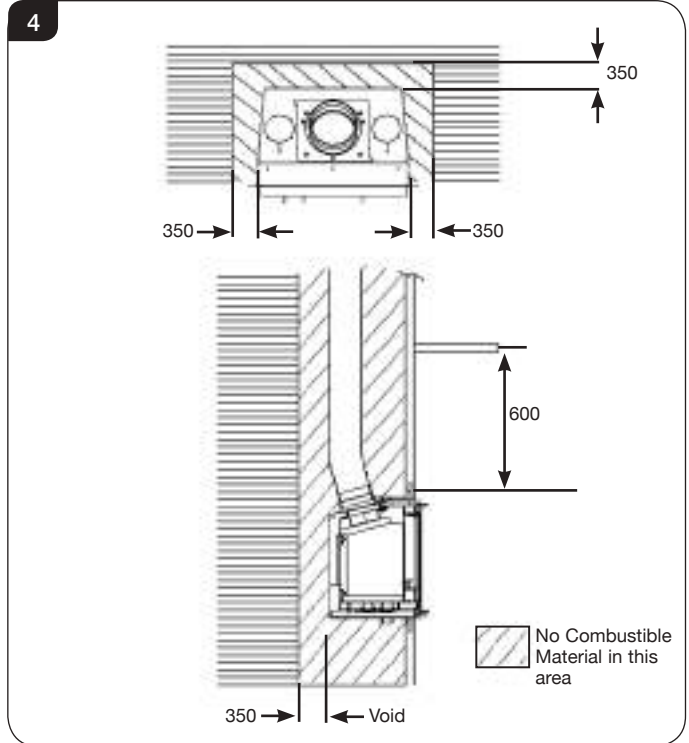
Please note if not using the optional fan kit and/or base outside air kit this appliance can be installed at floor level provided there is a Constructional and Decorative Hearth that complies with the appropriate Building Regulations. When installing on the hearth it is advised to remove the fan infill base self tapping screws or use the 4 foot adjusters to allow for these.



Model	A	B	C	D	E	F
Elise 540	560	570	360	410	75	100
Elise 540T	560	740	360	410	75	100
Elise 680	700	570	405	550	75	100
Elise 850	870	650	405	720	75	100

5. Clearances to Combustibles

When fitting the appliance use the minimum clearances between any point of the appliance and any combustible material.



Do not pack the void around or above the appliance with insulation materials such as mineral wool or vermiculite.

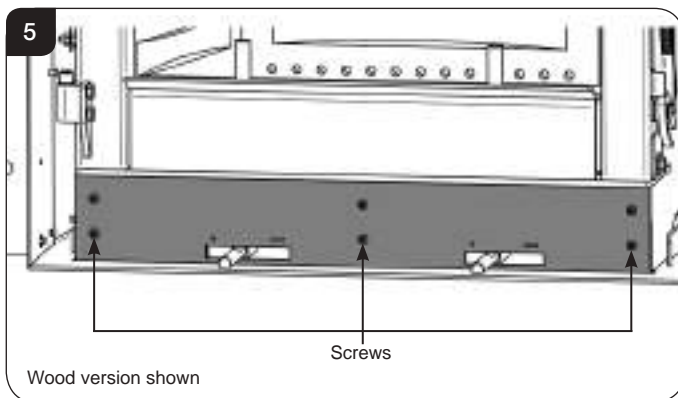
Installation Checklist

6. Smoke Control Kit

This section applies to the Elise products listed:

Product Code	Appliance
RA503992	Elise 540 Wood
RA503993	Elise 540 Multi-fuel
RA504319	540T Wood
RA504320	540T Multi-fuel
RA503999	Elise 680 Wood
RA504000	Elise 680 Multi-fuel

- 6.1 The Elise models listed are supplied with a smoke control kit and have been independently tested to PD6434 making them exempt from the controls that generally apply in Smoke Control Areas.
- 6.2 These models are suitable for use in a Smoke Control Area when burning wood and following the instructions for use specified in this manual but **ONLY** if the Smoke Kit has been fitted.
- 6.3 If fitted, the Smoke Control kit is attached to the front of the appliance via 6 screws. The door must be carefully removed to take off the supplied panel and fit the Smoke Control plate, see Diagram 5.
Take care when manoeuvring over the air controls and riddling handle (multi-fuel version only).



This will limit the movement of the Air Controls to ensure the appliance operates in a manner that conforms to the emissions standards for a Smoke Control Area.

- 6.4 To meet the requirements of a Smoke Control Area the appliance **MUST** be operated correctly in order to minimise the amount of smoke produced.

These instructions must be left with the User.

i If these models are installed outside of a Smoke Control Area then fitting the smoke control kit is not necessary.

Fitting the smoke control kit should only be done by a suitably qualified installer and must be done at the time of installation.

7. Optional Extras

The Elise has a number of optional extras to enhance the performance of the appliance. These need to be considered when planning the installation.

Fan Kit

- 7.1 This appliance can be fitted with an optional convection fan kit. The fan must be fitted at the time of installation. For installation and operating procedures you must refer to the instructions supplied with the fan kit.

Warm Air Ducting Kit

- 7.2 This appliance can be fitted with an optional Warm Air Ducting kit to help circulate warm air to other rooms in the house. This operation may require additional ventilation in order to comply with building regulations and a qualified installer should be consulted before fitting. The Ducting kit must be fitted at the time of installation. For installation and operating procedures you must refer to the instructions supplied with the Warm Air Ducting kit.

Dedicated External Air Supply Kit

- 7.3 The Stovax Elise has a dedicated air system that allows the supply of air directly to the appliance without the need for an air brick to be added to the room where it is installed for additional ventilation. The design and use of a Dedicated External Air Supply is not currently covered by HETAS product approval, however may be installed if fitted and commissioned in accordance with the manufacturers instructions and Building Regulation compliance.

The Stovax Elise can be converted for use with a sealed dedicated external air supply by the addition of an optional kit - ask your retailer for details.

This innovative feature removes the need for a permanently open air vent into the room, eliminating draughts and improving heating efficiency.

IT IS IMPORTANT TO UNDERSTAND AND COMPLY WITH ANY ADDITIONAL COMMISSIONING REQUIREMENTS WHEN THIS KIT IS FITTED.

Woodburning Conversion Kit

- 7.4 The appliance can be fitted with an optional kit which aids Multi-Fuel stoves with the continual burning of wood. The kit focuses primary air to the centre of the appliance which helps to establish a flame and replicates the recommended conditions for burning wood. For details on purchasing a Woodburning Conversion kit for this appliance contact your retailer.

i † England and Wales – Document J / Scotland - Part F/Document J (Republic of Ireland only)

Pre-Installation Instructions

1. General

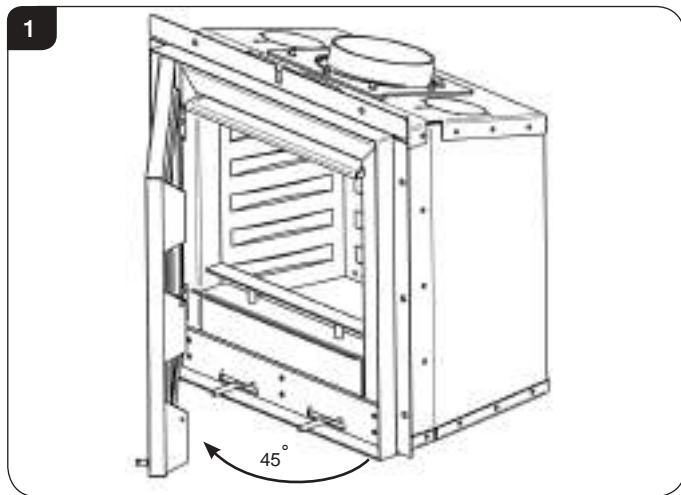
- 1.1 To make the installation of the appliance easier it is best to remove the internal components before fitting into the builders opening.
- 1.2 For the best results removing the following components as set out below.

2. Removal of the Door

Take care when removing the door.

Before removing the door it is recommended to protect the top edge from damage.

- 2.1 Open the door approximately 45°, see Diagram 1.



- 2.2 Lift the door vertically approximately 10mm to remove from the hinge blocks.
A gentle opening and closing movement may help free the hinge pins.

Take care to avoid catching the top of the door on the surrounding Edge frame.
- 2.3 Lie the door face down on a soft flat surface to protect the paint work and glass.
- 2.4 Reverse the procedure to re-fit the door.

3. Removal of Internal Components

In the firebox of the Elise are several packed items including:

Instruction Manual
Warranty
Door Tool
Gloves

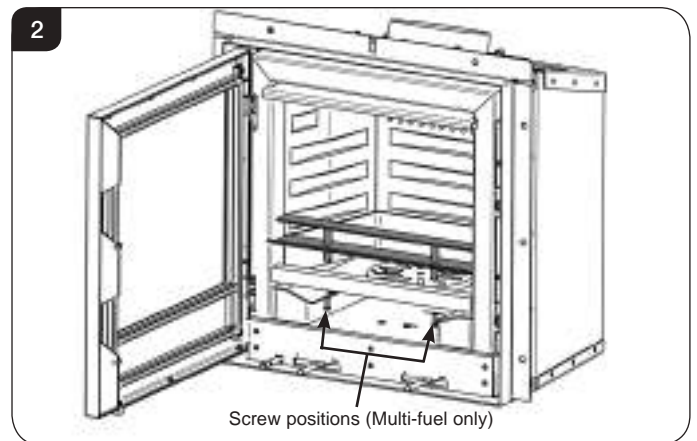
- 3.1 Remove these carefully and put them safely to one side.

4. Removal of the Log Guard

Multi-fuel Models only

- 4.1 On Multi-fuel models the log guard is secured by 2 screws located in the underside of the grate.

These must be removed before it is possible to withdraw the part.



All Models

- 4.2 To remove the Log guard:

Lift Log Guard clear of the location holes.

Rotate to clear the sides of the door opening.

Do not use appliance without the log guard in position.

Pre-Installation Instructions

5. Removal of the Firebricks

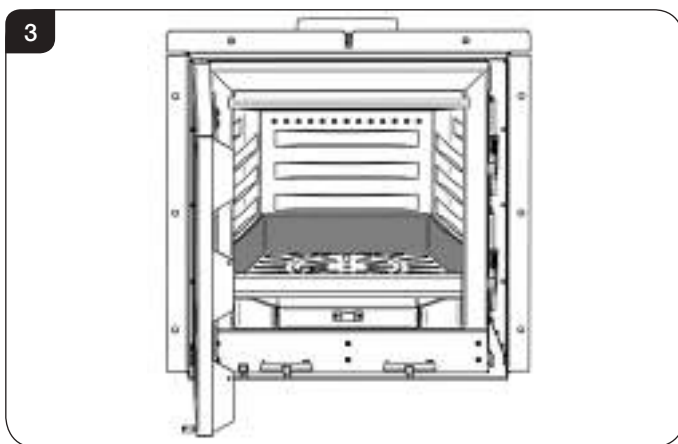
The firebricks should be removed to ease installation and avoid damage.

- 5.1 Once the box and loose internal components have been removed it is possible to remove the Firebricks.

Allow the appliance to cool fully before removing.

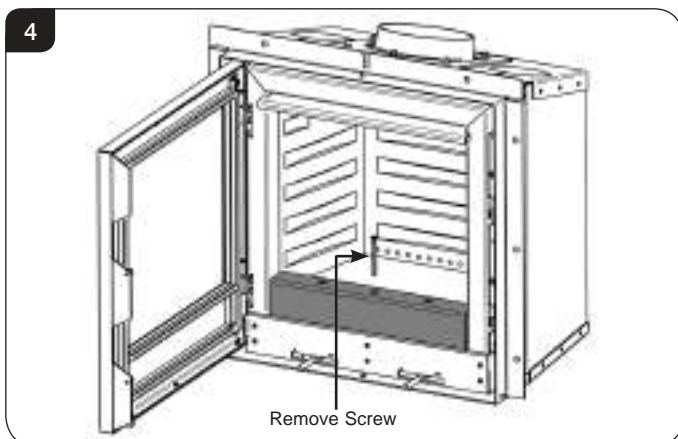
Multi-fuel Models Only

Before removing the firebricks, the brick protector must be removed. Lift up one side and angle out of firebox taking care not to damage the firebricks, see Diagram 3.



Wood Models Only

If the base/rear brick is difficult to remove it is possible to remove the ash retainer. Use an Allen key to remove the countersunk screw, see Diagram 4.



Lift up one side and angle out of the firebox taking care not to damage the firebricks.



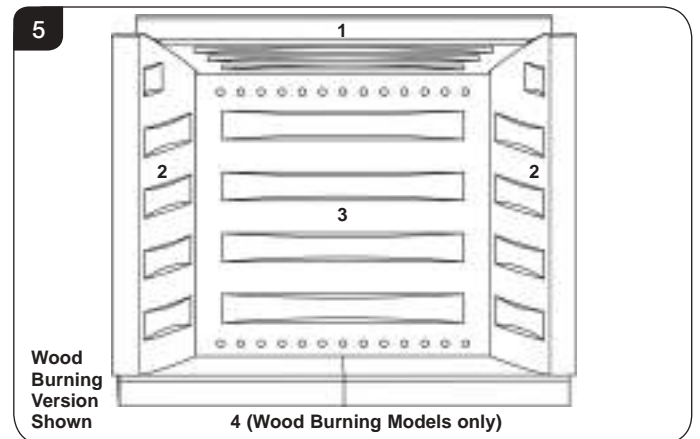
540T Only:

Care must be taken when removing the Ash Retainer to avoid damaging the gasket seal. If the seal is damaged it must be replaced prior to use.

- 5.2 The bricks must be removed in the following order:

1. Top Baffle Brick
2. Sides
3. Rear
4. Base (Wood burning models only)

NOTE: For 540T models the rear brick is in two pieces.



- 5.3 Pull the top baffle brick forwards towards the door and then slide the brick to one side.

Tilt the brick and lower into the firebox to remove.

- 5.4 Angle the rear edge of the side bricks towards the centre of the firebox and release edge from the metal work at the front of the appliance.

- 5.5 To aid removal of the rear brick remove the top baffle, see Section 7.

540T Models

- 5.6 Remove the top half of the rear brick by tilting forward. Once removed the lower half can be lifted off the base.

Other Models

- 5.7 The rear brick can now be pulled forward gently and angled through the door opening.

Take care not to damage the firebricks.

Wood Burning Models

- 5.8 Wood burning models have base bricks at the bottom of the firebox*. Once the other bricks have been removed these can be lifted up and out angling through the door opening.

***Note: The 540/ 540T/ 680 models have 2 base bricks. The 850 model has 3 base bricks.**

- 5.9 Replace in reverse order.

Multi-fuel Models

- 5.10 Multi-fuel versions do not have a base brick, the bricks sit on the top of the main grate. To remove the Multi-fuel grate see section 6.

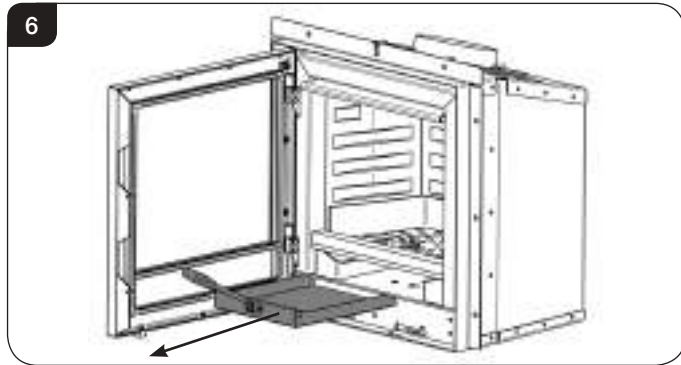
- 5.11 **Do not operate with the firebricks removed.**

Pre-Installation Instructions

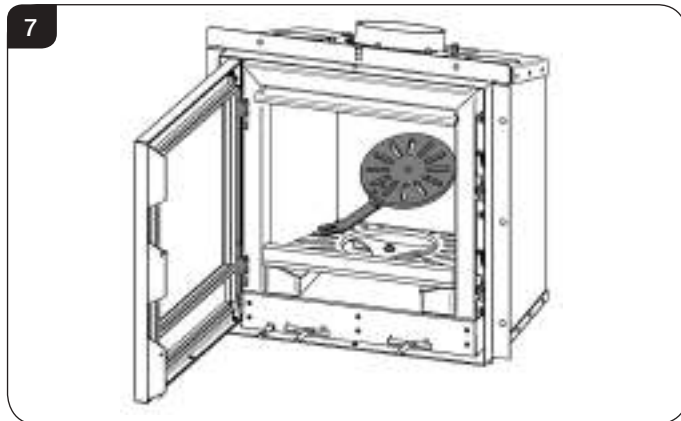
6. Removal of the Riddling Mechanism

The Riddling Mechanism can be removed for cleaning to maintain good working condition.

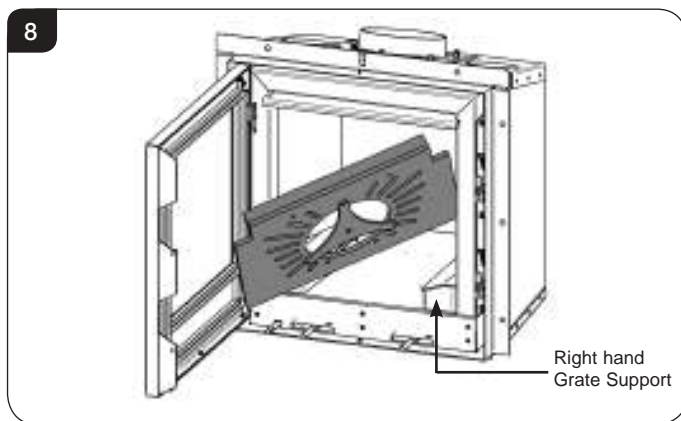
- 6.1 To remove Riddling Mechanism:
Remove ashpan from under grate using the tool provided, see Diagram 6.



- 6.2 Tip the centre grate downwards and lift vertically to withdraw from the main grate, see Diagram 7.

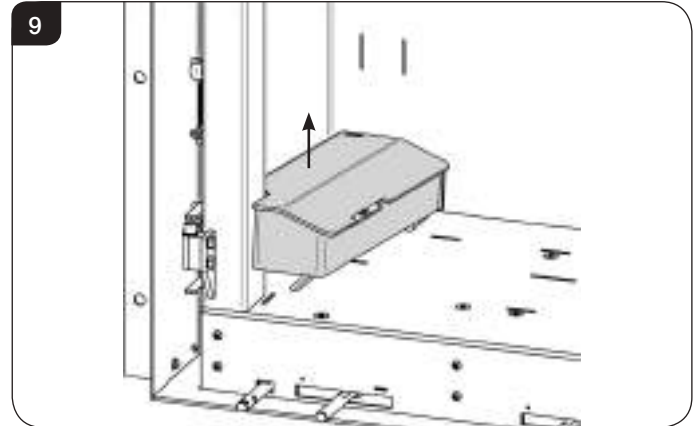


- 6.3 Lift the main grate vertically from the front edge and rotate to clear the firebox, see Diagram 8.
Note: It may be easier to remove the right hand grate support first.



- 6.4 Lift the side grate supports off the base of the firebox, see Diagram 9.

Note: When removing the left hand support lift vertically and take care not to damage the protruding riddling rod underneath.



- 6.5 Replace the multi-fuel kit in the reverse order from removal.

- 6.6 **Note: when replacing centre grate, ensure the centre grate arm slot locates fully into riddling rod protruding underneath Left Hand grate support. The Arm must be fed through slot in Left Hand arm grate support.**

- 6.7 The grate must sit flat on the side supports, with no debris trapped under it. Check that the centre grate sits flat and rotates freely with no debris trapped under it.

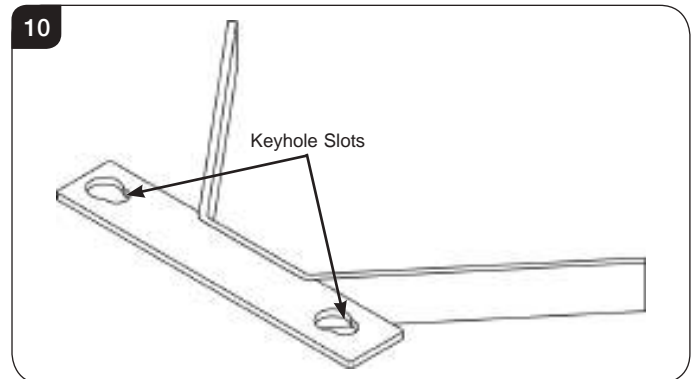
7. Removal of the Baffle

The appliance is fitted with a metal baffle in the top of the firebox to maintain efficient combustion.

- 7.1 Once the internal components and bricks have been removed it is possible to remove the metal Top Baffle.

Allow the appliance to cool fully before removing the baffle system.

These models have a single section baffle.



- 7.2 Supporting the baffle plate, lift to clear the thicker part of the spacers and pull towards the right of the appliance.

The key slot holes should now be able to clear the spacers.

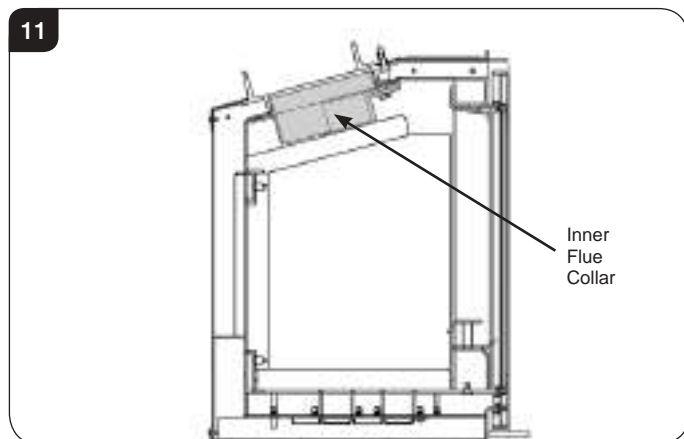
- 7.3 Lower to free the baffle.

Pre-Installation Instructions

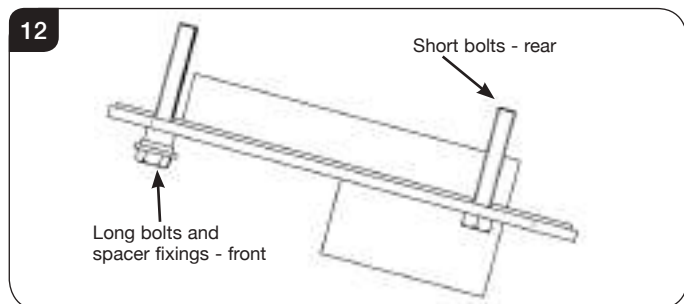
8. Separate the Inner & Outer Box

To protect the delicate parts of the appliance the product has been designed so that the inner box can be removed from the outer box.
When all the heavy work is complete the inner box can be re-installed into the outer box and the final connection made.

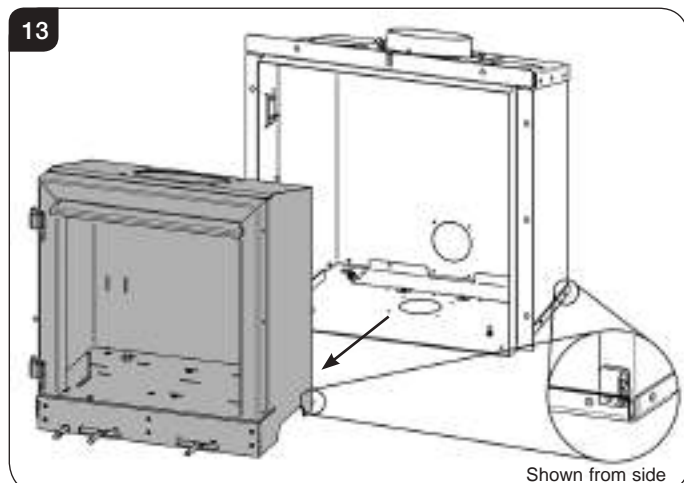
- 8.1 The internal components, bricks, baffles and the door etc should be removed to make the installation process easier and prevent damage.
- 8.2 First remove the inner collar, see Diagram 11.



- 8.3 To remove the Inner Collar use a 13 A/F spanner or socket to remove the 4 bolts and 2 spacers, see Diagram 12.



- 8.4 The inner box can now be slid out of the outer box.
There is a roller assembly at the rear which locates in cutouts on the outer box, see Diagram 13.



Pull the inner box carefully forward to release from the cutouts. It should now slide out of the outer box.
This will require at least two people.

NOTE: The sliding mechanism can be stiff on initial use or if debris has been allowed to build up during usage. Ensure the outer box is cleaned thoroughly as part of regular maintenance.

Installation Instructions

1. Installing the Appliance

Each installation is unique to the property so it is not possible to give details to suit every setting. The installation must comply with Building Regulations† and be made using "best practice" construction methods‡.

Care must be taken when creating a builders opening. Pay careful attention to the distance to combustible materials recommended and ensure the housing for the appliance is built from non-combustible material.

Many fireplace openings have a supporting lintel. Do not remove without supporting the remaining structure of the building. **Do not support the structure with the appliance or the flue system.**

1.1 Take care when installing the appliance. Careless handling and use of tools can damage the finish and/or area.

There are two types of installation for this appliance:

Masonry Installation

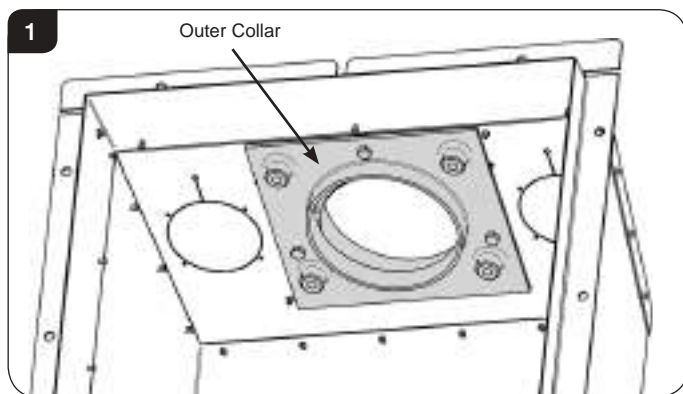
- with a frameless Edge finish - Section 3.
- with a Decorative Frame - Section 4.

A Decorative Frame will require the attachment of a subframe in addition to the installation of the outer box. Please carefully read the relevant installation section in conjunction with the Frame fitting Instructions (PM1237).

i **NOTE: If installing with an Outdoor Air Kit please consult Manual PM1233 prior to installation.**

1.2 Removal Of Outer Collar

Before installation it will be necessary to remove the Outer Collar from the Outer Box.

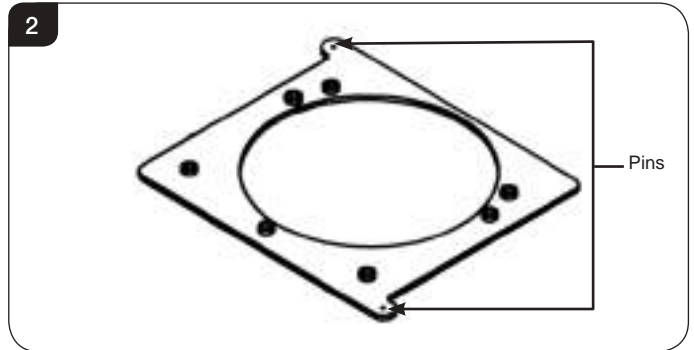


Using a 13 A/F Spanner undo the 3 bolts and remove outer collar.

i † England and Wales – Document J / Scotland - Part F/Document J (Republic of Ireland only)
‡ the latest edition of BS 8303, BS EN 15287, BS 7566

There is a Flue Collar Bracket on top of the Outer Box. This locates on two pins that allow flexibility when positioning the Outer Collar.

The bracket remains in place when installing the flue system, see Diagram 2.



1.3 If the optional fan is to be fitted, remove the fan cover in the base of the outer case. This cannot be removed after the outer case has been installed. Full instructions are included with the fan (PM1240).

The Elise comes with a number of optional extras including Convection Fan kit, Dedicated Outdoor Air and warm air ducts. These must be fitted prior to attempting to install the Inner Box.

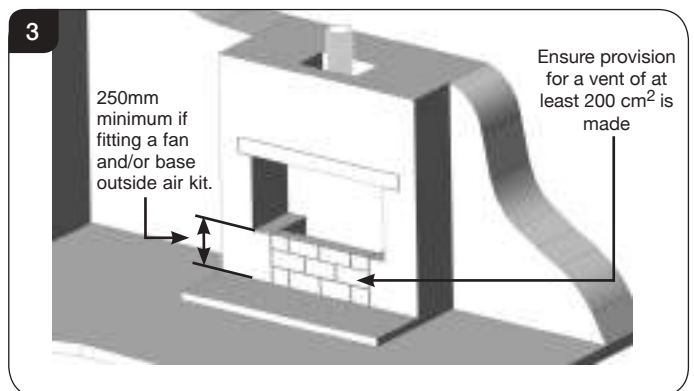
Consult the instruction manual provided with each option thoroughly and carefully as use of this product will affect the installation method of the Elise.

2. Fitting to A Masonry Chimney

2.1 Many fireplace openings have a supporting lintel. Do not remove without supporting the remaining structure of the building. **Do not support the structure with the appliance or the flue system.**

Stovax recommend the use of a flue liner when installing into a masonry chimney. Alternative methods can be used if the chimney is sound and correctly sized, however access may be required to make an effective seal - ie using a sump adapter.

Important Note: If you plan to install an optional fan kit preparation must be made for the installation of wiring and sockets.



For opening sizes see *Installation Checklist*.

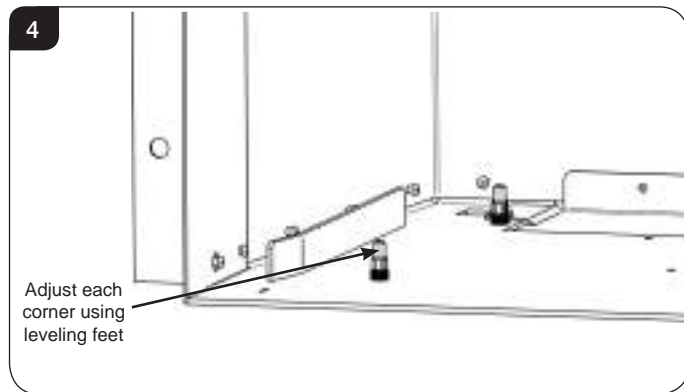
2.2 Do not pack the void around or above the appliance with insulation materials such as mineral wool or vermiculite.

Installation Instructions

3. Fitting with an Edge Finish

The Elise is supplied with a frameless Edge finish as part of the outer box and does not require any additional modifications for this method of installation.

- 3.1 The outer box can be slid into the chimney opening and fitted.
- 3.2 The position of the box can now be improved within the builder's opening by adjusting the four levelling feet to ensure it sits firm and level at all four corners, see Diagram 4.



- 3.3 Wind the set screws down to the desired position in each corner.

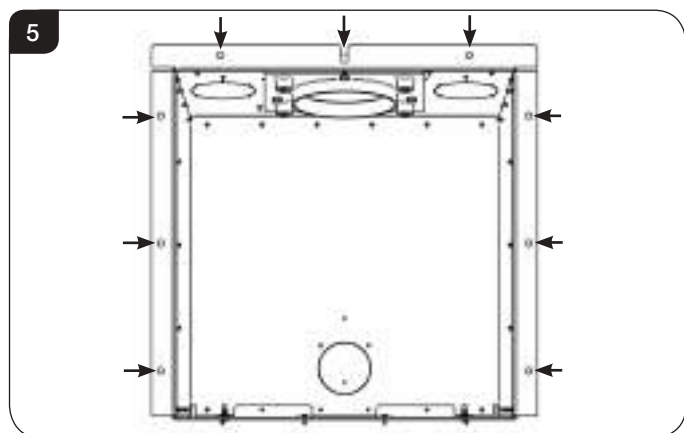
This appliance MUST be securely fixed in position to support the door when opened.

There are several options to do this.

3.4 Through the appliance flange

Secure the appliance through the fixing holes on the outer box flange, see Diagram 5.

Depending on the model size and condition of the opening fixing the appliance in a minimum of all four corners is required for adequate security.

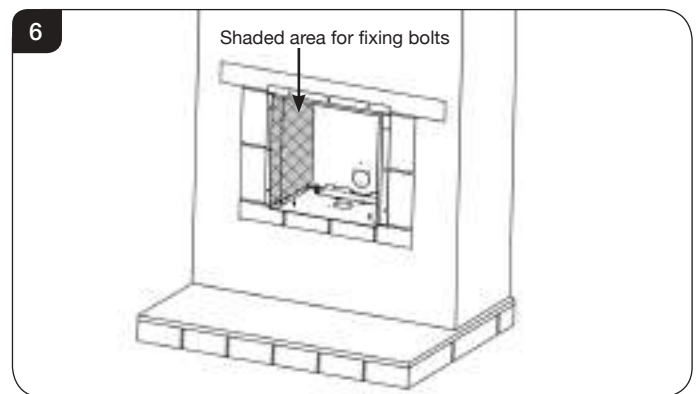


OR

3.5 Through the outer box

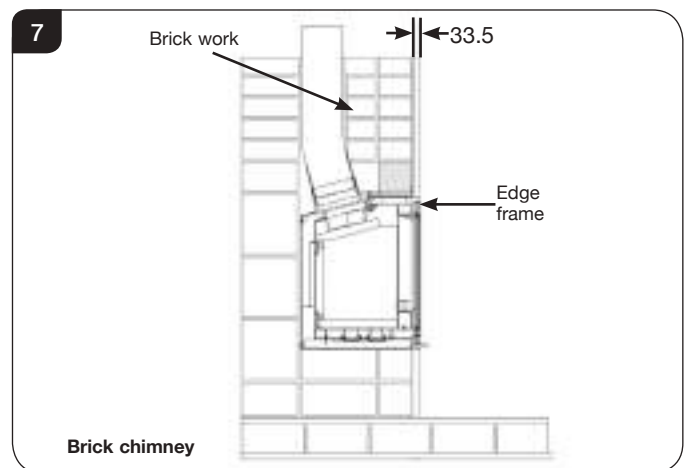
Secure the outer box through the sides using M6 or M8 bolts. There must be at least two bolts in the outer case - one in either side. Check the security of these fasteners before proceeding to fit the inner box. These bolts must not interfere with the installation of the inner box.

The fixings may be positioned by drilling through the sides of the outer box and fixing within the shaded area shown in Diagram 6. Do not over tighten and deform the outer box.



- 3.6 Connect the flue system, see Section 4.15.

- 3.7 Fit non-combustible board to masonry and leave enough room for the final skim of heat resistant plaster. The depth of the Edge flange will be approximately 33.5mm. To ensure a flush finish the non-combustible board and the final plaster skim must add up to 33.5mm, see Diagram 7.

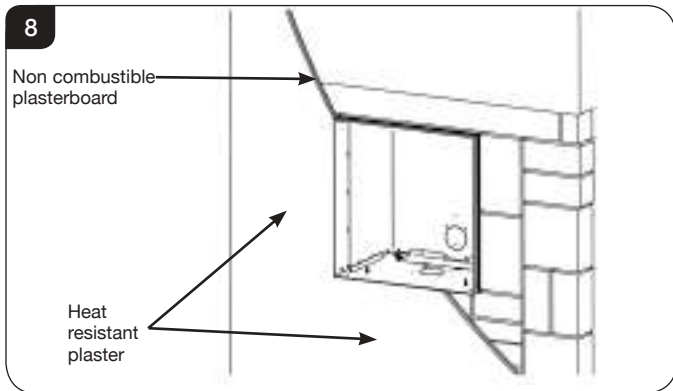


Standard plasterboard is not suitable.

This should extend a minimum of 600mm to the sides and above the appliance.

Installation Instructions

Apply a heat resistant plaster finish to **at least 900mm above and 400mm to the sides of the chimney breast**, making sure it is not too thin or it will crack, see Diagram 8.



- 3.8 Finish installing any optional extras and fit the Internal Components as required.

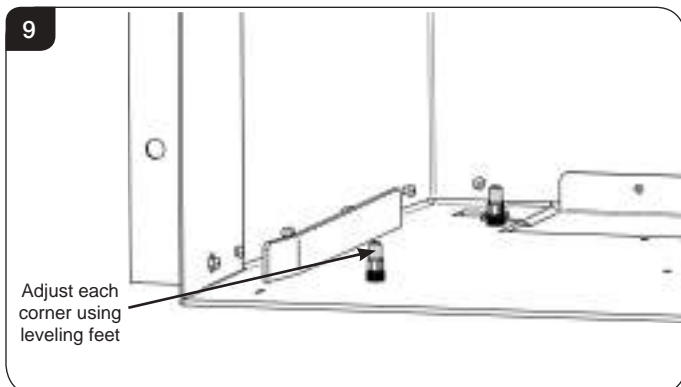
4. Fitting with a Decorative Frame

- 4.1 To fit the Elise with a Decorative Frame a subframe must be fitted prior to installation - please read this section in conjunction with the frame fitting instructions (PM1237).
- 4.2 Finish the chimney breast as desired.

Depending on the choice of decorative frame there are two methods of fixing the appliance to the opening. See relevant section.

4a. Profil (3 & 4 sided) and Expression frames

- 4.3 The subframe fits **behind** the outer box flange against the wall so must be installed at the same time as the outer box - Provision must be made to allow for the sub-frame fixings, see PM1237.
- 4.4 The outer box can be slid into the chimney opening and fitted.
- 4.5 The position of the box can now be improved within the builder's opening by adjusting the four levelling feet to ensure it sits firm and level at all four corners, see Diagram 9.



- 4.6 Wind the set screws down to the desired position in each corner.

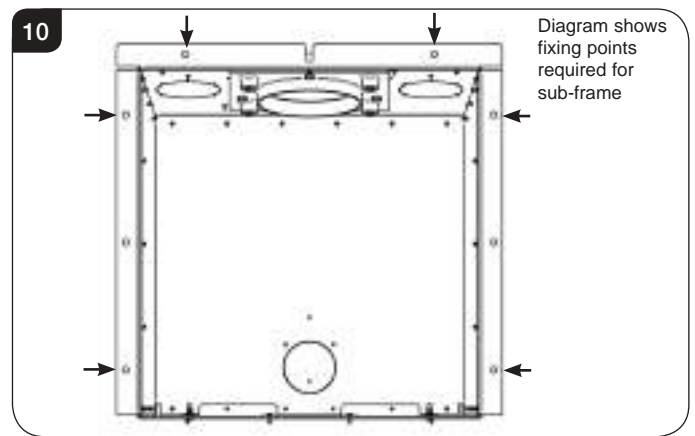
This appliance MUST be securely fixed in position to support the door when opened.

There are several options to do this:

- 4.7 **Through the Appliance Flange**

If the condition of the opening is good enough, the outer box can be secured through the sub-frame fixings and the outer box flanges, see Diagram 10.

Depending on the model size and condition of the opening fixing the appliance in a minimum of all four corners is required for adequate security.

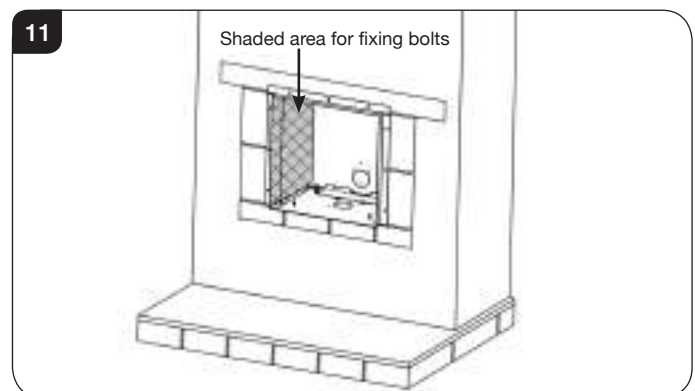


- 4.8 **Through the outer box**

Secure the outer box through the sides using M6 or M8 bolts. There must be at least two bolts in the outer case - one in either side. Check the security of these fasteners before proceeding to fit the inner box. These bolts must not interfere with the installation of the inner box.

The fixings may be positioned by drilling through the sides of the outer box and fixing within the shaded area shown in Diagram 11.

Do not over tighten and deform the outer box.



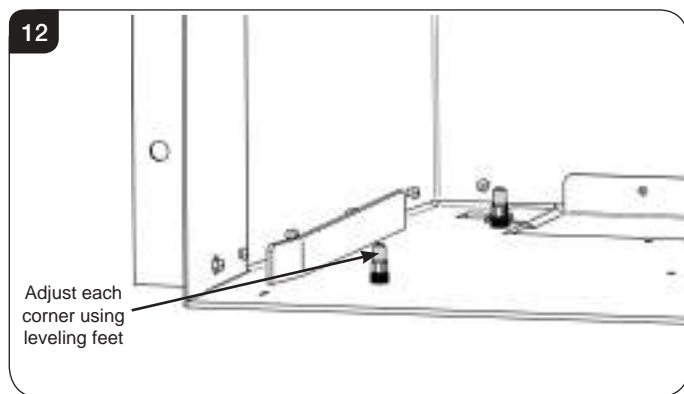
- 4.9 Connect the flue system, see Section 4.15.

Installation Instructions

4b. Evoke Frames

- 4.10 The sub-frame sits in front of the outer box flanges and installation of the frame must be considered at the same time as the outer box. Provision must be made to allow for the sub-frame fixings, see PM1237.
- 4.11 The outer box can be slid into the chimney opening and fitted.

The position of the box can now be improved within the builder's opening by adjusting the four levelling feet to ensure it sits firm and level at all four corners, see Diagram 12.



Wind the set screws down to the desired position in each corner.

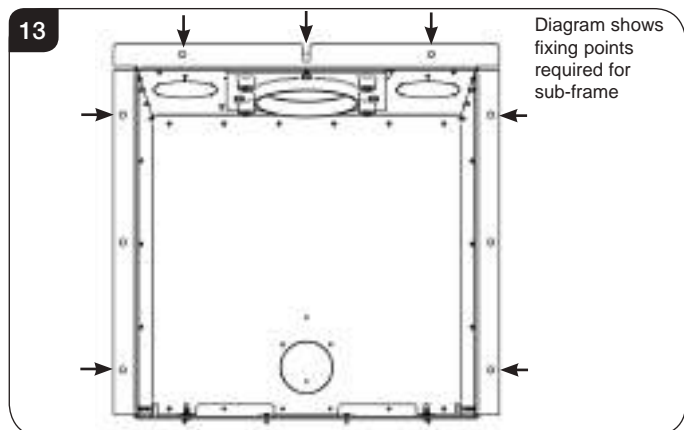
This appliance MUST be securely fixed in position to support the door when opened.

There are several options to do this:

4.12 Through the Appliance Flange

If the condition of the opening is good enough, the outer box can be secured through the sub-frame fixings and the outer box flanges, see Diagram 13.

Depending on the model size and condition of the opening fixing the appliance in a minimum of all four corners is required for adequate security.



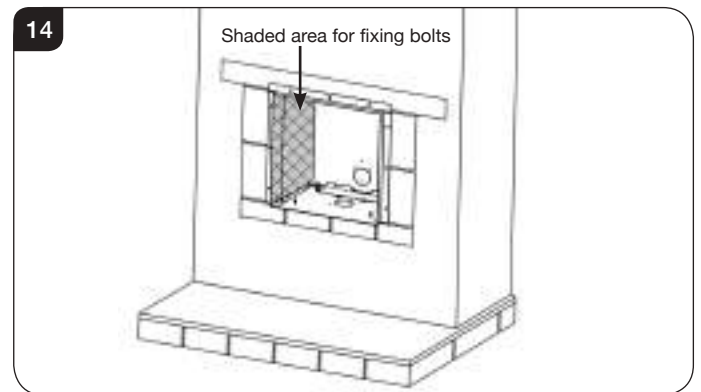
OR

4.13 Through the outer box

Secure the outer box through the sides using M6 or M8 bolts. There must be at least two bolts in the outer case - one in either side. Check the security of these fasteners before proceeding to fit the inner box. These bolts must not interfere with the installation of the inner box.

The fixings may be positioned by drilling through the sides of the outer box and fixing within the shaded area shown in Diagram 14.

Do not over tighten and deform the outer box.



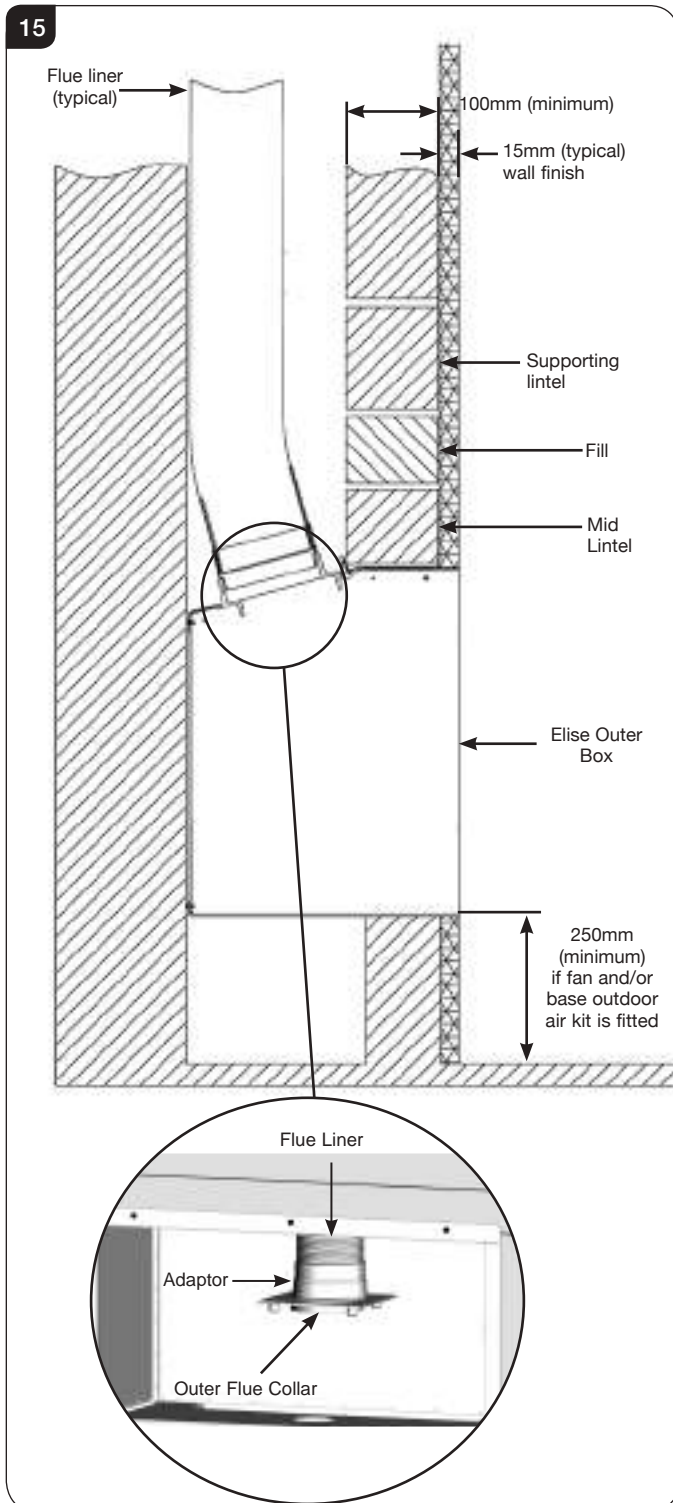
4.14 Connect the flue system, see Section 4.15.

Installation Instructions

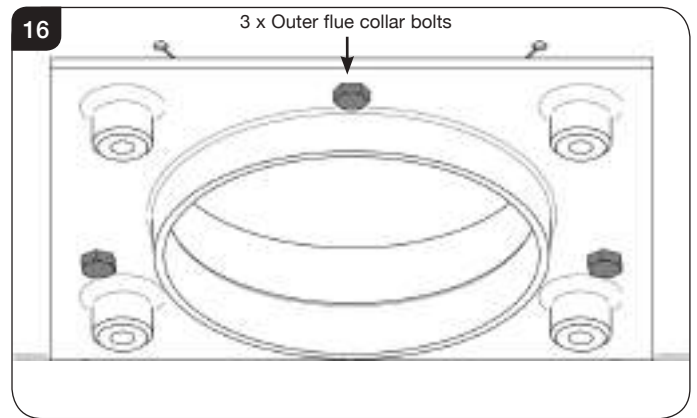
All Methods

4.15 Flue Assembly

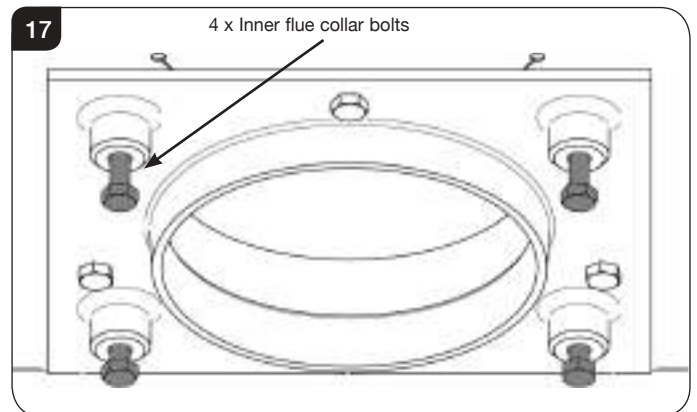
The flue liner can now be lowered through the outer box and connected to the outer flue collar using a suitable flexible flue liner adapter. Make sure that these joints are secured using suitable stainless steel fasteners and sealed with fire cement.



4.16 Push / pull the flue liner back up into the flue. Secure the outer collar to the Flue Collar Bracket using the 3 x bolts, ensuring they are finger tight only, see Diagram 16.



4.17 To ensure the outer collar is central, and to **avoid cross threading of the bolts** during actual installation, feed the 4 bolts used to secure the inner collar into the holes in the outer collar as shown in Diagram 17. This should be done by hand and the bolts should be finger tight only. Do not force the bolts. If they are not easily located remove them and loosen the 3 x bolts holding the outer collar to allow for adjustment.



4.18 Once the 4 x bolts have been successfully located in the holes tighten the 3 x bolts securing the outer collar in place to create a good seal. **Do not over tighten the bolts.**

4.19 Remove the 4 x bolts and put them to one side until needed.

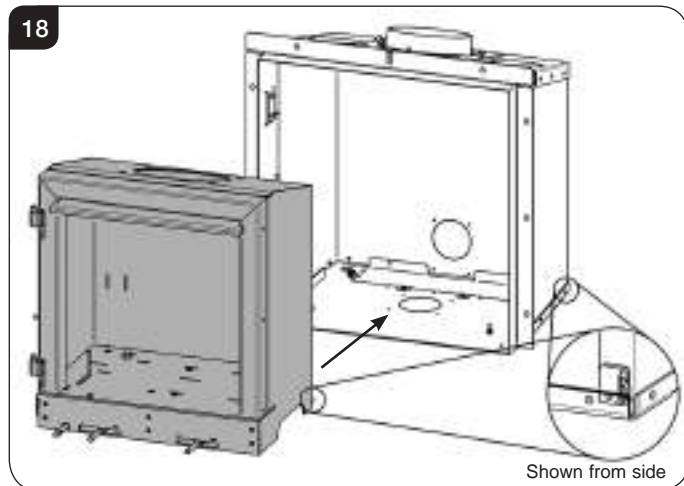
NOTE: The flue liner must be supported in accordance with the manufacturers instructions, there should be no weight on the Outer Box.

Installation Instructions

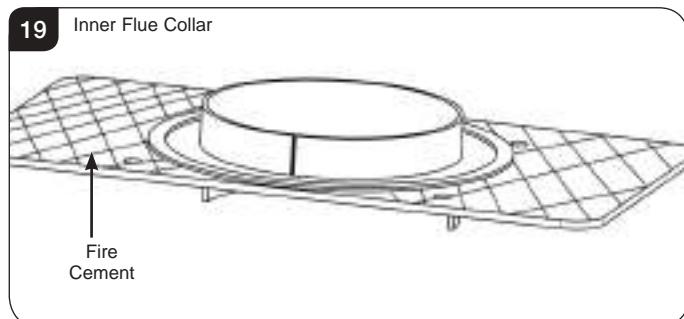
- 4.20 Slide the inner box into the outer box.
There is a roller assembly at the rear of the inner box which locates in cutouts in the base of the outer box.

NOTE: The sliding mechanism can be stiff on initial use or if debris has been allowed to build up during usage. Ensure the outer box is cleaned thoroughly as part of regular maintenance.

This will require 2 people, see Diagram 18.

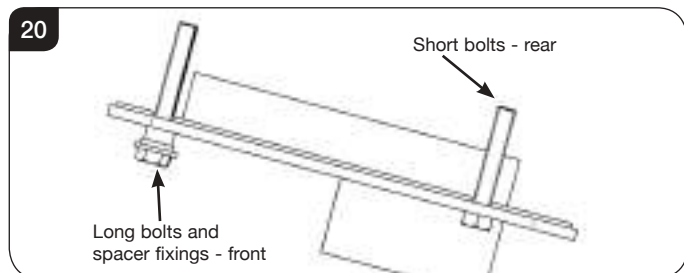


- 4.21 Apply fire cement to the faces shown prior to fitting the inner collar, see Diagram 19.



- 4.22 Fit the inner flue collar using the 4 bolts ensuring the 2 longer bolts are at the front with the spacer fixings, see Diagram 20.

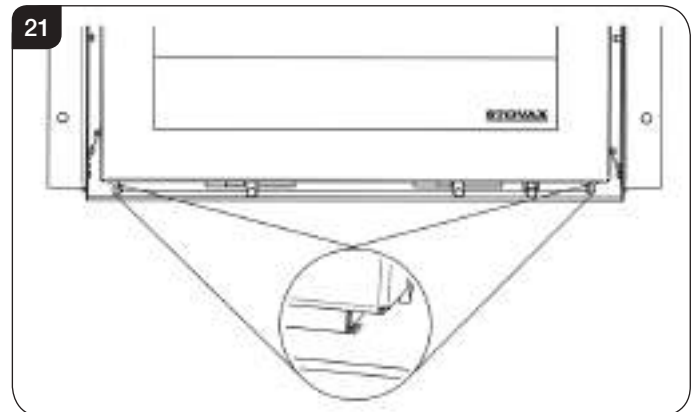
All bolts must be finger tight only at this stage.



- 4.23 Ensure that the front of the inner box is parallel to the outer box and positioned correctly from left to right against the alignment markers on the outer box base, see Diagram 21. Adjust the position until correct and then fully tighten the 4 bolts.

Do not over tighten.

NOTE: When correctly installed the front face of the door will be level with the outer box edge frame.



Replace the internal components.

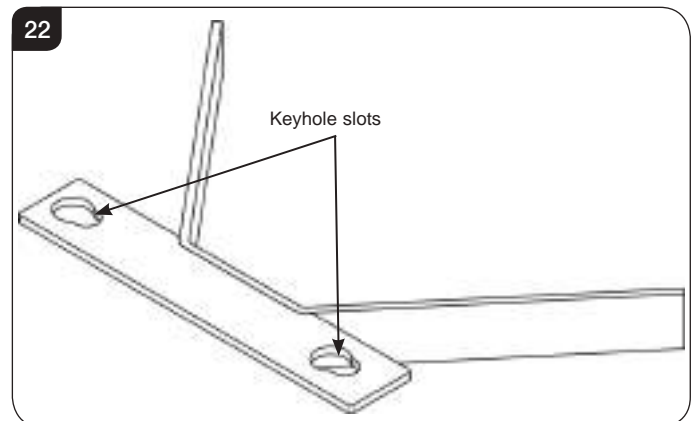
5. Fitting of Internal Components

Once the inner box has been installed the internal components can be fitted.

- 5.1 **The baffle must be fitted before the other components.**

5a. Upper Metal Baffle

The appliance is fitted with a metal baffle in the top of the firebox to maintain efficient combustion.



All Models

- 5.2 Supporting the baffle plate, fit the bottom of the inner flue collar spacer fixings into the larger part of the keyhole slots.

Raise the baffle so the key slot holes can clear the spacers.

Pull the baffle left to lock into the narrow part of the keyhole slots.

- 5.3 Lower the baffle to secure in place.

Installation Instructions

5.4 The baffle system is designed to give safe and efficient operation of the appliance. Replace damaged baffles immediately.

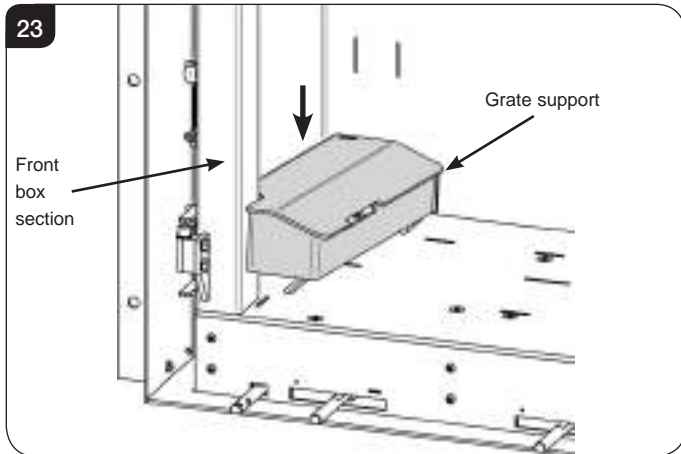
5.5 **Do not modify the baffle system.**
Do not operate with the baffle system removed.

5b. Fitting the Riddling Mechanism

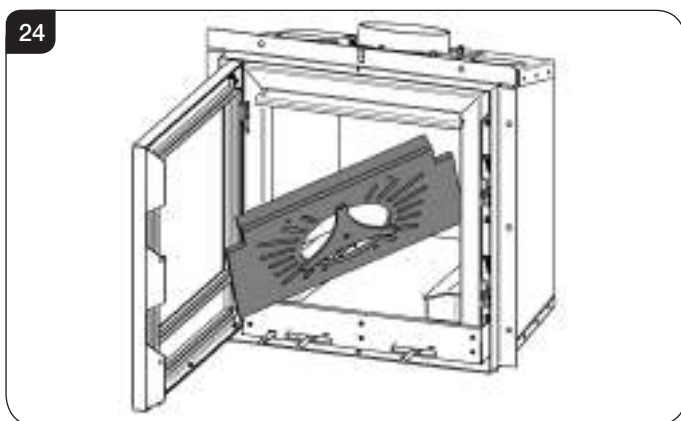
The Riddling Mechanism (or Grate) can be removed for cleaning to maintain good working condition.

5.6 To refit the Riddling Mechanism:

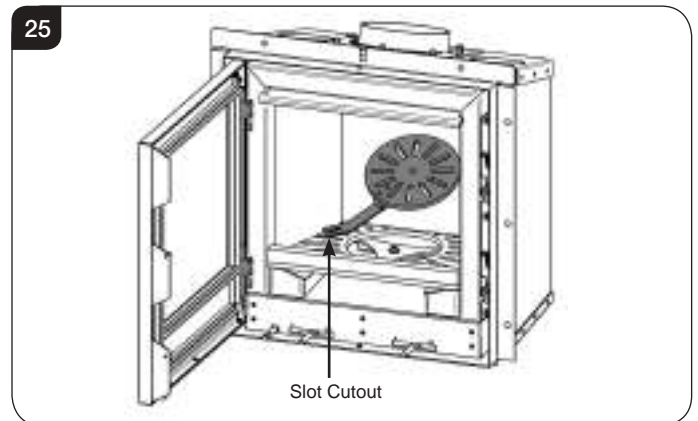
Place the grate supports on each side of the firebox base. These sit behind the front box section, see Diagram 23. Take care to clear the protruding upright riddling rod on the left hand side.



5.7 Angle the main grate through the front of the firebox and lay flat on the side supports, see Diagram 24. Ensure no debris prevents the supports from lying flat.



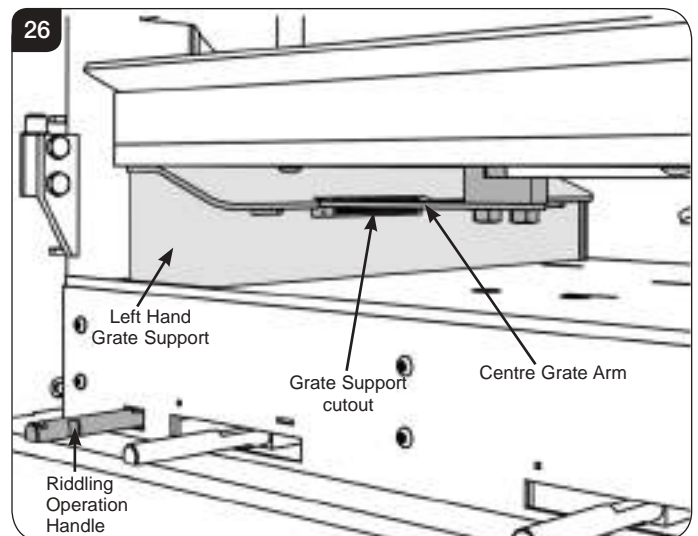
5.8 Feed the centre grate into position in the main grate.



The centre grate arm has a slot in the end in order to fit the mechanism.

The centre grate arm must be fed through the cutout in the left hand grate support.

5.9 Position the riddling mechanism operation handle so that the slot in the centre grate arm fits around the upright riddling rod on the front of appliance, see Diagram 26.



This may require some trial and error to ensure the grate arm is secured in position. Test the mechanism to ensure that the grate moves freely when operated via the riddling handle.

5.10 Replace ashpan by sliding under the main grate.

5.11 The grate must sit flat on the side supports, with no debris trapped under it. Check that the centre grate sits flat and rotates freely with no debris trapped under it.

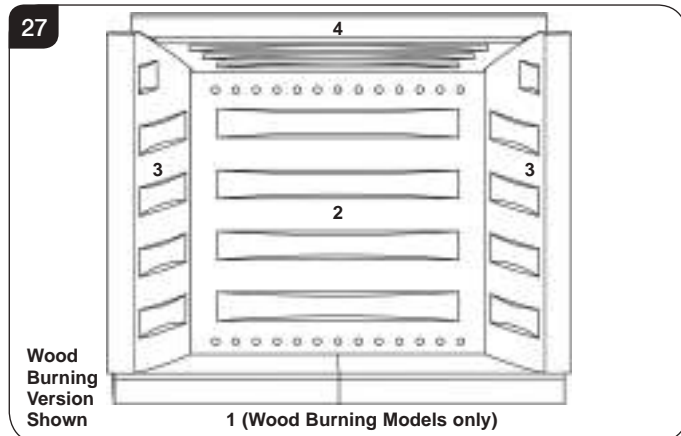
Installation Instructions

5C. Firebricks

5.12 The brick must be fitted in the following order:

1. Base (Wood burning models only)
2. Rear
3. Sides
4. Top Baffle Brick

NOTE: For 540T models the rear brick is in two pieces.



Wood Burning Models

5.13 Wood burning models have base bricks at the bottom of the firebox*. Angle through the opening and carefully lower the base bricks into position.

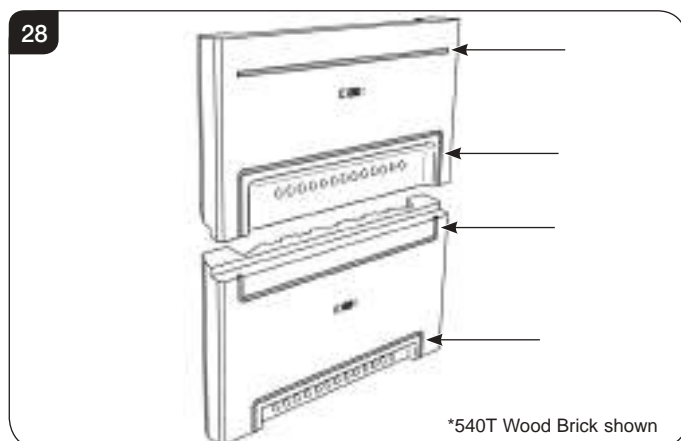
***Note: The 540/ 540T/ 680 models have 2 base bricks. The 850 model has 3 base bricks.**

Multi-fuel Models

5.14 Multi-fuel versions do not have a base brick. The bricks sit on top of the main grate. To fit the Multi-fuel grate see section 5b.

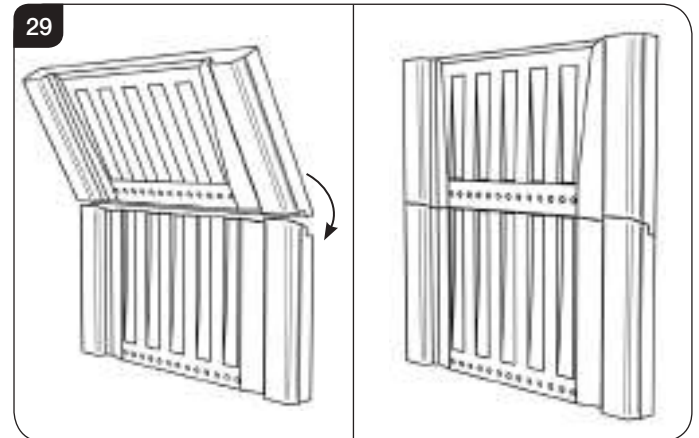
Rear Brick - 540T Models Only

5.15 The rear brick is in two parts. Ensure ropeseal is pressed firmly into the channels on the rear of the bricks, see Diagram 28.



5.16 Fit the lower half of the brick into the base.

Angle the top half so they interlock and press firmly against the rear of the firebox, see Diagram 29.



Rear Brick - All Other Models

5.17 Fit the rear brick in position by angling through the door ensuring the holes in the rear brick line up with the holes in the metal work behind.

Note: A torch may be required to do this.

All Models

5.18 The side bricks can now be fitted by locating the front edge behind the metal box section and then angling the back edge into the rear brick location slot.

5.19 Angle the top baffle brick into position on top of one side brick. Slide to the side as far as possible and raise the other end of the baffle brick over the other side brick. Slide the brick into a central position with the side recesses of the baffle brick resting on both side bricks and push backwards until it touches the rear brick.

5.20 Fit the Ash Retainer if removed, see Section 5 Pre-Installation Section.

5.21 Fit the Multi-fuel brick retainer if removed, see Section 5 Pre-Installation Section.

5.22 Do not operate with the firebricks removed. Take care not to damage the firebricks.

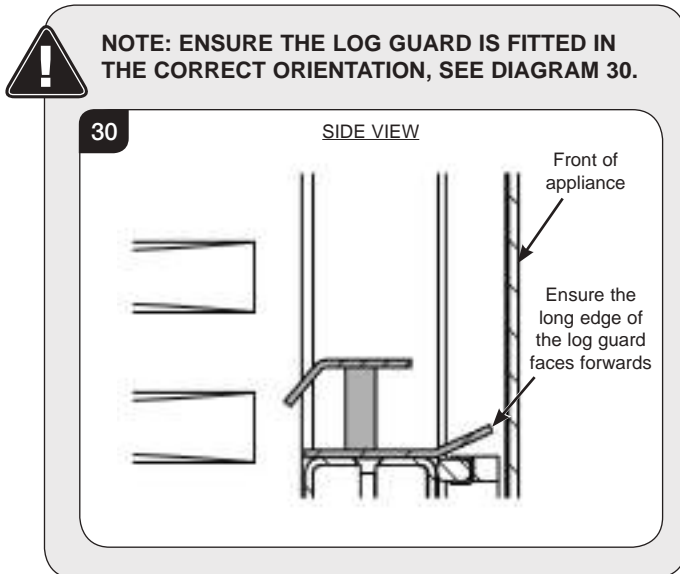
Installation Instructions

Log Guard

All Models

5.23 To fit the Log guard:

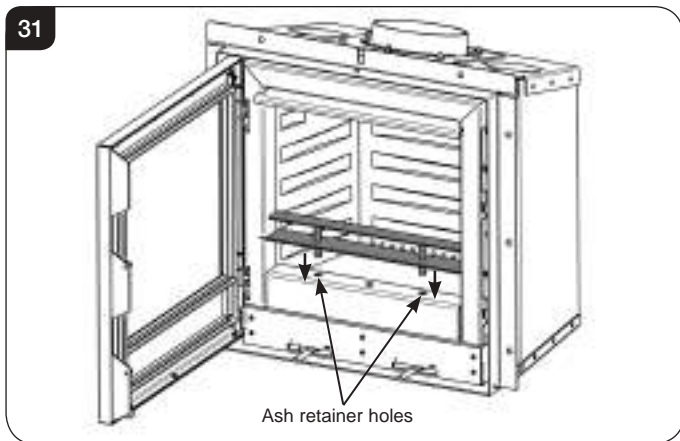
Insert into the appliance at an angle through the door opening.



Wood Models

Lower the Log Guard and feed the log bar legs into the holes in the ash retainer, see Diagram 31.

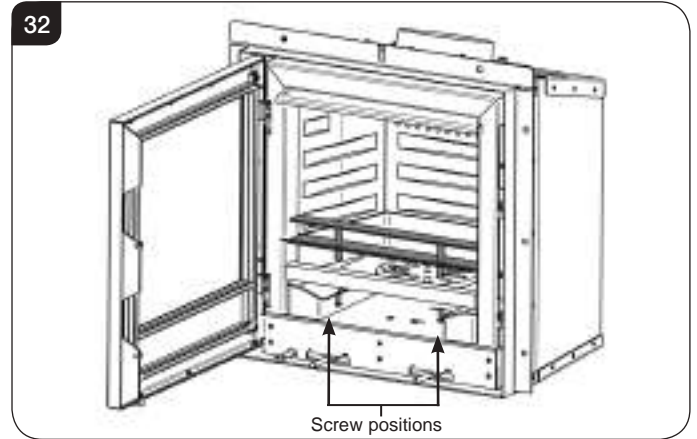
Ensure the lower extending angled lip on the log guard is facing forwards towards the door glass.



Do not use appliance without the log guard in position.

Multi-fuel Models

5.24 Place the log guard legs over the holes in the grate and secure with 2 screws on the underside, see Diagram 32. **DO NOT OVERTIGHTEN.**

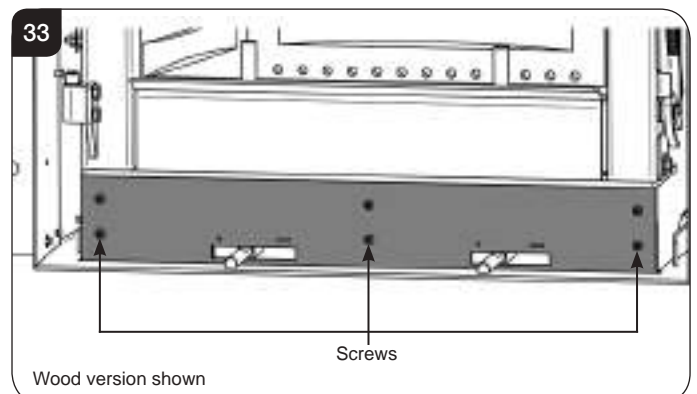


6. Smoke Control Kit

This section applies to the Elise products listed:

Product Code	Appliance
RA503992	Elise 540 Wood
RA503993	Elise 540 Multi-fuel
RA504319	540T Wood
RA504320	540T Multi-fuel
RA503999	Elise 680 Wood
RA504000	Elise 680 Multi-fuel

- 6.1 The Elise models listed are supplied with a smoke control kit and have been independently tested to PD6434 making them exempt from the controls that generally apply in Smoke Control Areas.
- 6.2 These models are suitable for use in a Smoke Control Area when burning wood and following the instructions for use specified in this manual but **ONLY** if the Smoke Kit has been fitted.
- 6.3 If fitted, the Smoke Control kit is attached to the front of the appliance via 6 screws, see Diagram 33 and Section 6.5.



Installation Instructions

This will limit the movement of the Air Controls to ensure the appliance operates in a manner that conforms to the emissions standards for a Smoke Control Area.

- 6.4 To meet the requirements of a Smoke Control Area the appliance **MUST** be operated correctly in order to minimise the amount of smoke produced.



If these models are installed outside of a Smoke Control Area then fitting the smoke control kit is not necessary.

Fitting the smoke control kit should only be done by a suitably qualified installer and must be done at the time of installation.

- 6.5 To fit the Smoke Control kit:

Carefully remove the door, see Pre-Installation Section 2.

- 6.6 Use a suitable Allen key to undo the 6 screws holding the plate on the front of the firebox.

- 6.7 Carefully remove the plate.
Take care when manoeuvring over the air controls and riddling handle (multi-fuel version only).

- 6.8 Secure in position reusing the 6 screws.

- 6.9 Carefully refit the door.

These instructions must be left with the User.

7. Woodburning Conversion Kit

- 7.1 The appliance can be fitted with an optional kit which aids Multi-Fuel stoves with the continual burning of wood. The kit focuses primary air to the centre of the appliance which helps to establish a flame and replicates the recommended conditions for burning wood.
For details on purchasing a Woodburning Conversion kit for this appliance contact your retailer.

8. CO Alarms

All open flued appliances can be affected by temporary atmospheric conditions which may allow fumes to enter the house. Building regulations require that whenever a new or replacement fixed solid fuel or wood/biomass appliance is installed in a dwelling a carbon monoxide alarm must be fitted in the same room as the appliance. Further guidance on the installation of the carbon monoxide alarm is available in the latest edition of BS EN50292 and from the alarm manufacturer's instructions.

HETAS recommend the unit is permanently fixed in accordance with the manufacturer's installation instructions or with the guidance contained in Approved Document J where no other information is available.

Provision of an alarm must not be considered a substitute for either installing the appliance correctly or ensuring regular servicing and maintenance of the appliance and chimney system.

Commissioning

Commissioning

1.1 To commission:

- Replace the internal components.
- Check the door alignment and catch operation and adjust if required (see *Maintenance & Servicing, Sections 5 & 7*).
- Check the soundness of door seals, castings and joints.
- Check the operation of the air controls.

1.2 Now carry out a final smoke draw test:

- Warm the flue with a blowlamp, or similar, for about 10 minutes.
- Place a smoke pellet on the centre of the grate, with the air controls open.
- Close the door. Smoke should now be drawn up the flue and be seen to exit from the flue terminal.
- Complete test with all doors and windows closed in the room where the appliance is fitted.
- If there are any extractor fans in adjacent rooms the test must be repeated with the fans running on maximum and with interconnecting doors open.
- Check the effect of ceiling fans during the test.

If the test fails, re-check the suitability of the flue system and ventilation. An inadequate air supply to the room is potentially dangerous.

- Light the appliance and slowly increase the temperature.
- Ensure no combustion products enter the room.
- Open the main fire door when the appliance reaches operating temperature and carry out a spillage test with a smoke match or pellet around the door opening.

1.3 If excessive spillage occurs allow the appliance to cool and re-check the flue system and ventilation.

1.4 Finally:

- Explain to the user the correct operation of the appliance, use of the controls and the importance of only using suitable fuels in order to reduce smoke emissions - particularly if they live in a Smoke Control Area.
- Ensure that a CO alarm has been fitted and make the user aware of its operation and importance, referring them to the Warning section on page 5 of the User Instructions.

- Explain the cleaning and routine maintenance requirements.
- Explain the requirement to use a suitable fireguard when children, elderly or infirm persons are near the appliance.
- Record retailer/supplier and installer details in Appliance Commissioning Checklist (page 3, Instructions for Use).
- Record serial number in Appliance Commissioning Checklist (page 3, Instructions for Use).

This number is required when ordering spare parts and making warranty claims.

- Give this instruction manual to the customer.

Certificate Of Compliance

Upon completing the installation, the form below must be filled in by your installer to comply with the requirements of HETAS and the building regulations. The installer must give these details, including their HETAS registration number, for the purposes of any insurance details that may change as a result of the appliance being installed.

HETAS LTD - CERTIFICATE OF COMPLIANCE

PLEASE TICK APPROPRIATE BOXES OR ENTER DETAILS IN BOXES BELOW



Record ID (HETAS Use Only)	<input type="text"/>	(*Indicates that this data must be given)
Customer Name	*	
Installation Address	*	
Installation Address		
Installation Address		
Installation Address		
Town	*	
Postcode	*	Work Completion Date *
Local Authority Name (*Must be given if no postcode available)		
Installing Company Name	*	Company's HETAS Reg. No. *
Installing Engineer's Name	*	Engineer's HETAS Reg. No. *

Description of Work	
Location:	Lounge <input type="checkbox"/> Dining Room <input type="checkbox"/> Kitchen <input type="checkbox"/> Utility Room <input type="checkbox"/> Bedroom <input type="checkbox"/> Other, Specify <input type="text"/>
Appliance:	Dry Open Fire <input type="checkbox"/> Open Fire with Boiler <input type="checkbox"/> Dry Cooker <input type="checkbox"/> Cooker with Boiler <input type="checkbox"/> Dry Roomheater/Stove <input type="checkbox"/> Roomheater/Stove with Boiler <input type="checkbox"/> Independent Boiler <input type="checkbox"/> Make <input type="text"/> Model <input type="text"/> Heat Output <input type="text"/> kW
System:	New Heating and Hot Water System <input type="checkbox"/> Updated Existing Heating and Hot Water System <input type="checkbox"/> Dry System Only <input type="checkbox"/>
If Wet System:	Is the Hot Water System Unvented? <input type="checkbox"/> Y / <input type="checkbox"/> N
Chimney:	New Insulated Factory Made Chimney System Installed <input type="checkbox"/>
Relining of existing chimney:	Twin Wall Flexible Liner (for Class 1 Appliance) <input type="checkbox"/> Cast In-situ Liner <input type="checkbox"/> Rigid Sectional Liner Metal <input type="checkbox"/> Rigid Sectional Liner Other <input type="checkbox"/>
Hearth:	New Hearth/Surround fitted <input type="checkbox"/> Existing Hearth Surround Updated <input type="checkbox"/>

Additional Information	
Connecting fluepipe:	Diameter <input type="text"/> mm Socket joints upward and gas tight <input type="checkbox"/>
	Provision for sweeping chimney/fluepipe: Yes <input type="checkbox"/> No <input type="checkbox"/> Chimney Data Plate Location <input type="text"/>
Air supply:	Has a permanently open air vent been fitted: Yes <input type="checkbox"/> No <input type="checkbox"/>
	Is vent opening at least 50% of cross sectional area of throat/flue <input type="text"/> or State total free area of air vent <input type="text"/> mm ²
	Confirm an approved Carbon Monoxide alarm has been fitted <input type="checkbox"/>

Testing & Commissioning to Approved J Appendix E
Confirm you have commissioned and tested the appliance & associated work for safe and efficient operation <input type="checkbox"/>

Declaration of completion As the competent person responsible for the work described above, I confirm that the appliance and associated work has been installed in accordance with the HETAS rules of registration, and that the work complies with Regulations 4 and 7 of the Building Regulations, and Approved Documents J, G & L as applicable.

Signed: _____ Print name: _____ Date: _____

COPIES OF THIS COMPLETED CERTIFICATE MUST BE (WHITE COPY) SENT TO HETAS LTD AT THE ADDRESS GIVEN BELOW (PINK COPY) GIVEN TO THE CUSTOMER FOR RETENTION (YELLOW COPY) RETAINED BY THE INSTALLING COMPANY

THIS CERTIFICATE SHOULD BE RETAINED BY THE PROPERTY OWNER WHO MAY BE REQUIRED TO PRODUCE IT IN ANY FUTURE SALE OF THE PROPERTY.

Maintenance & Servicing

For a complete list of spare parts and accessories contact your Stovax Retailer or call 01392 474011

1. Annual Service

- 1.1 Before the start of the heating season strip, inspect and clean the appliance as detailed:
- Allow appliance to cool.
 - Remove all internal parts: baffle, log guard, multi-fuel kit and firebricks. Take care handling firebricks as they can become fragile after a period of use.
 - Sweep the appliance at this point if necessary.
 - Vacuum clean any remaining ash and debris from the inside of the appliance. Stovax offer a filter/collection attachment for vacuum cleaners to protect them from fire ash: Ash Clean (Stovax Part No. 2091).
 - Check the parts for any damage. Replace any damaged parts using genuine Stovax replacements parts.
 - Check and clean the firebricks with a soft brush, carefully removing any ash build up in primary air holes in the rear wood brick.

Some surface damage will occur during use. The life of the bricks will depend on the type of fuels burnt and the level of use. **Replace damaged bricks as soon as possible.**

- Re-fit cleaned internal parts.
- **On appliances with printed glass do not use cleaning agents that have a high alkaline or acidic content, for example Stovax Gel Cleaner, these are aggressive cleaning agents designed to be used with heavily stained clear glass. On printed glass surfaces, use Stovax Glass Cleaner (Stovax No.4103) which is better formulated for this application.**

Do not use abrasive cleaners to remove tar or soot deposits from the glass.

- Fit new door rope seal
(see *Maintenance and Servicing, Section 4*).
- Lightly oil the door catch mechanism and hinge pins. Avoid getting oil onto the door seals and glass.
- To refresh painted finishes a touch up spray is available. Contact your Stovax retailer quoting the serial number found on the appliance data badge.

- 1.2 Use genuine Stovax replacement parts to keep the appliance in safe, efficient working order. This is a list of the maintenance products that may need be required:

Task	Product name
Preventing build-up of creosote in flue	Protector (15 sachets)
	Protector (1kg tub)
Sealing flue pipe joints	Fire Cement (500g tub)
	Fire Cement (600g cartridge)
Re-painting	Touch Up Paint (150ml aerosol)
Protecting your hands	Heat resistant leather gloves
Thermic seal glue	(50ml bottle)
Cleaning Glass	Stovax Glass Cleaner (No. 4103)
Ash Clean	Vacuum Cleaner Attachment

These products, available online at www.stovax.com or from your local Stovax dealer, along with regular maintenance and use of correct fuels, will keep the appliance in the best possible condition.

- 1.3 For more information about the Stovax Group products please visit our web site at www.stovax.com
- 1.4 Burn at a low temperature for the first day of use after any maintenance. This allows the seals, fixing glues and paint to fully cure.
- 1.5 During this time the appliance may give off some unpleasant odours. Keep the room well ventilated to avoid a build-up of fumes.
- 1.6 Your Stovax dealer can carry out service and maintenance.

2. Removal of Internal Parts

- 2.1 To service and maintain the good working condition of your appliance it will be necessary to remove several internal parts. Consult the section for the following:

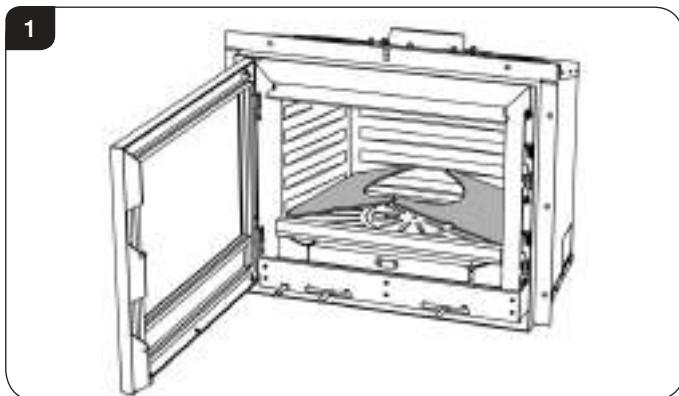
- Door Assembly** - Pre-Installation Section 2, page 20.
- Log Guard** - Pre-Installation Section 4, page 20.
- Firebricks** - Pre-Installation Section 5, page 21.
- Riddling Mechanism** - Pre-Installation Section 6, page 22.
- Baffle** - Pre-Installation Section 7 page 22.

3. Removing the Woodburning Conversion Kit (if fitted)

To maintain safe use of the appliance the Woodburning tray should be removed and cleaned regularly.

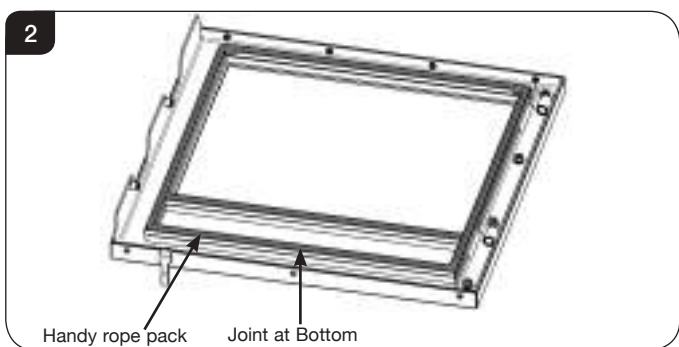
Remove ash from the Woodburning tray with a small shovel and place into a Stovax Ash Caddy (Stovax Part No. 4227) or other suitable container.

- 3.1 Remove the Log Guard and Brick Protectors.
- 3.2 Carefully lift and rotate the Woodburning plates through the front of the appliance.



- 3.3 Clean with a suitable cleaner.
- 3.4 Replace in reverse order.

4. Fitting a new Door Seal - All Models



- 4.1 To maintain the safe use of the appliance damaged or worn door sealing rope must be replaced.
NOTE: Some discolouration and flattening of the seal will occur in normal use and this does not indicate a damaged seal.

To complete this operation remove the door see Section 2 in the Pre-Installation section.
- 4.2 Remove the old rope and scrape old glue from the locating groove. Clean the locating groove with a clean dry cloth to remove all old dust and debris.

Maintenance & Servicing

- 4.3 Squeeze a generous bead of fresh Stovax Thermic Seal glue into the rope locating groove.

Gently press the new Stovax rope into the locating groove, taking care not to stretch the rope. Place the joint in the middle of the bottom edge of the door using tape supplied for the ends.
- 4.4 Refit the door and close the door to apply pressure to the new rope.

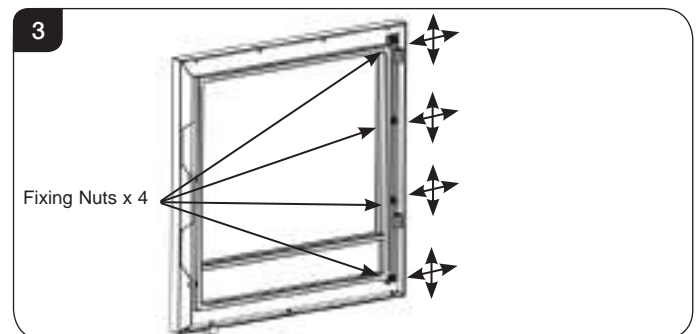
Leave the appliance closed for at least 12 hours before lighting the appliance and using at a low output for approximately one day.
- 4.5 Using the appliance with a damaged door seal can cause dangerous fumes to enter the room, or the appliance to over fire, resulting in damage.

5. Adjusting Door Hinges

- 5.1 To maintain the safe use of your appliance, you may need to adjust the door hinges to ensure the safe, correct closing of the door. The door must be parallel with the outer box edge frame both horizontally and vertically.
- 5.2 Adjustment is possible in 2 places:
Door Hinge Assembly, on the back of door.
Hinge Blocks on Inner Box.
- 5.3 Open the door to give access to these 2 positions.

Door Hinge Assembly

- 5.4 Use a 10mm socket to slightly loosen the fixing nuts on the Door Hinge Assembly, see Diagram 3.

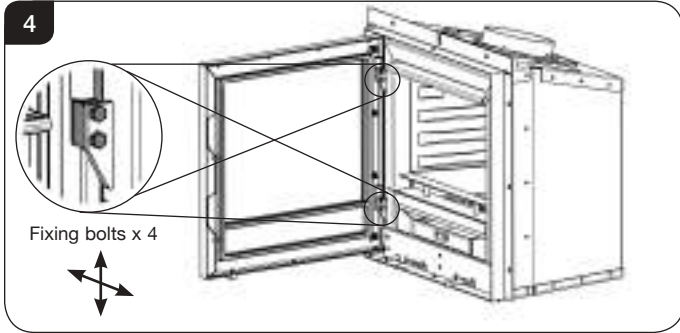


- 5.5 Loosening the Door Hinge Assembly allows for fine vertical and horizontal adjustment of the door position. This may require a trial and error approach to find the correct position. Ensure the door is horizontal before tightening the fixing nuts.

Maintenance & Servicing

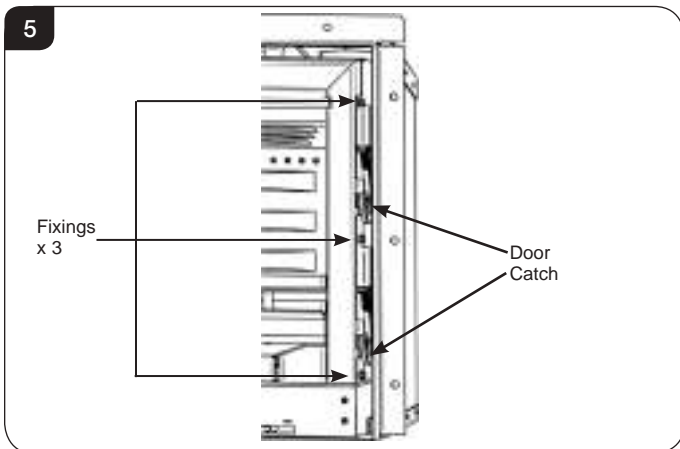
Hinge Blocks on Inner Box

- 5.6 Using a 10mm A/F spanner slightly loosen the fixing bolts inside the stove as shown in Diagram 4. This will give vertical and horizontal adjustment which may need a trial and error approach to find the correct position. The door must be horizontally level.

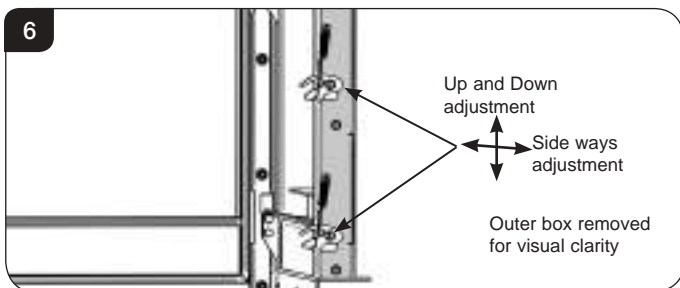


7. Adjusting the Door Catch

- 7.1 To maintain the safe use of your appliance you may need to adjust the door catch to ensure the safe, correct closing of the door. If the door hinges have been adjusted the door catch may need adjustment.
- 7.2 The door catch assembly is located at the right side of the inner box.



- 7.3 Use a 10mm A/F spanner to loosen the 3 fixings to give the door catch assembly adjustment movement. The catch block can move in two directions, see Diagram 6.



- 7.4 Reposition the door catch assembly to achieve a correct fit and fully tighten the 3 fixings.
- This may need a trial and error approach to find the correct position.

- 7.5 If the door still feels loose after correcting the catch operation, the door rope seal is worn and requires replacement, as detailed in Maintenance & Servicing, Section 4.

Do a Paper Test

To do a paper test shut a piece of paper in the door at the edges to test how well the rope seal stops the air from entering the appliance. If the paper can be pulled out easily then the seal is not sufficient and the rope must be replaced. Repeat this around all the edges of the door.

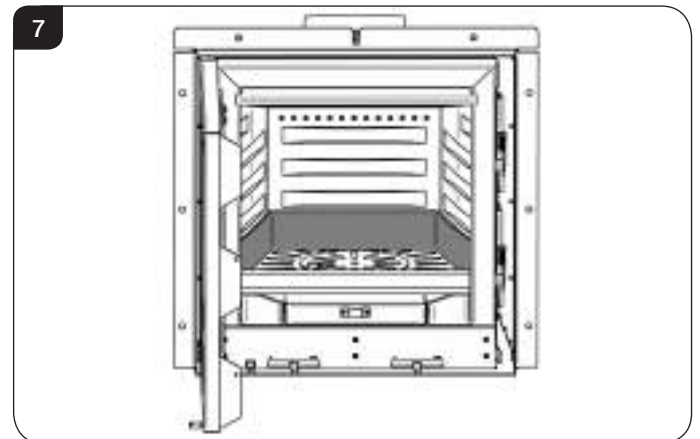
On the hinge side of the door it is easier to feed a slightly curled piece of paper between the door and the edge frame.

8. Removal of the Firebricks

- 8.1 Allow the appliance to cool fully before removing.

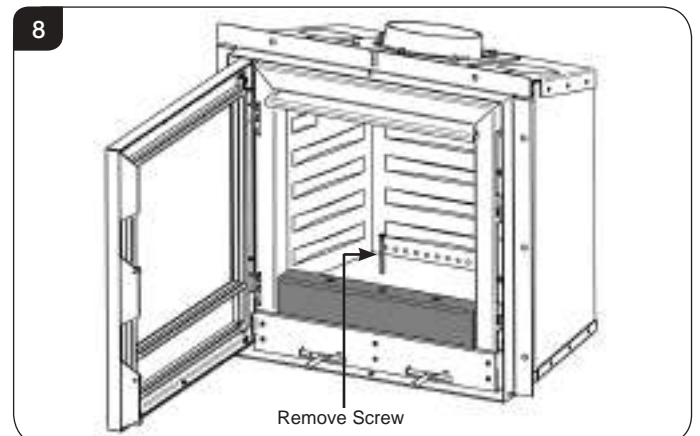
Multi-fuel Models Only

Before removing the firebricks, the brick protector must be removed. Lift up one side and angle out of firebox taking care not to damage the firebricks, see Diagram 7.



Wood Models Only

If the base/rear brick is difficult to remove it is possible to remove the ash retainer. Use an Allen key to remove the countersunk screw, see Diagram 8.



Lift up one side and angle out of the firebox taking care not to damage the firebricks.

Maintenance & Servicing

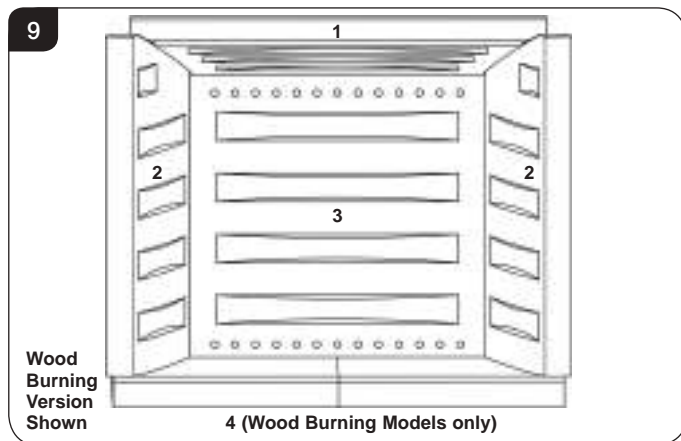


540T Only:

Care must be taken when removing the Ash Retainer to avoid damaging the gasket seal. If the seal is damaged it must be replaced prior to use.

- 8.2 The bricks must be removed in the following order:
1. Top Baffle Brick
 2. Sides
 3. Rear
 4. Base (Wood burning models only)

NOTE: For 540T models the rear brick is in two pieces.



- 8.3 Pull the top baffle brick forwards towards the door and then slide the brick to one side.
Tilt the brick and lower into the firebox to remove.
- 8.4 Angle the rear edge of the side bricks towards the centre of the firebox and release edge from the metal work at the front of the appliance.
- 8.5 To aid removal of the rear brick remove the top baffle, see Pre-Installation, Section 7.

540T Models

- 8.6 Remove the top half of the rear brick by tilting forward. Once removed the lower half can be lifted off the base.

Other Models

- 8.7 The rear brick can now be pulled forward gently and angled through the door opening.

Take care not to damage the firebricks.

Wood Burning Models

- 8.8 Wood burning models have base bricks at the bottom of the firebox*.
Once the other bricks have been removed these can be lifted up and out angling through the door opening.

***Note: The 540/540T/ 680 models have 2 base bricks.
The 850 model has 3 base bricks.**

- 8.9 Replace in reverse order.

Multi-fuel Models

- 8.10 Multi-fuel versions do not have a base brick, the bricks sit on the top of the main grate.
To remove the Multi-fuel grate see Pre-Installation, section 6.
- 8.11 **Do not operate with the firebricks removed.**

Technical Appendix - Technical Appendix

Legal Requirements

Before installation and/or use of this appliance please read these instructions carefully to ensure that all requirements are fully understood.

The appliance must be fitted by a registered installer*, or approved by your local building control officer.

It is very important to understand the requirements of the national Building Regulations† and standards‡, along with any local regulations and working practices that may apply. Should any conflict occur between these instructions and these regulations then the regulations must apply.

Your local Building Control Office can advise regarding the requirements of the regulations.

i † England and Wales – Document J / Scotland - Part F/Document J (Republic of Ireland only)
‡ the latest edition of BS 8303, BS EN 15287, BS 7566

***Registered on the Competent Persons Scheme (GB only) see page 43/ INFO (Republic of Ireland).**

Works must be carried out with care to meet the requirements of Health and Safety† and comply with the Health and Safety rules**, and any new regulations introduced during the lifetime of these instructions. Particular attention should be drawn to:

- **Handling:** The appliance is heavy. Adequate facilities must be available for loading, unloading and on site handling.
- **Fire Cement:** Some fire cement is caustic and must not come into contact with the skin. Protective gloves must be worn. Wash hands thoroughly with plenty of water after contact with skin.
- **Asbestos:** This appliance contains no asbestos. If there is the possibility of disturbing any asbestos in the course of installation seek specialist guidance and use appropriate equipment.
- **Metal Parts:** Take care when installing or servicing the stove to avoid personal injury.

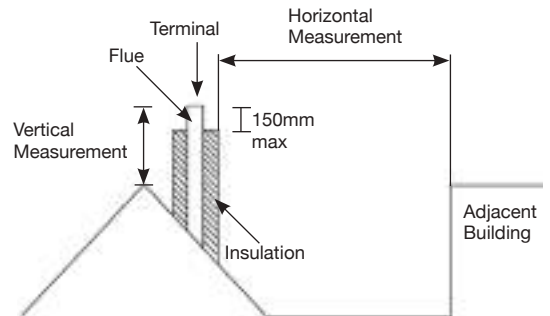
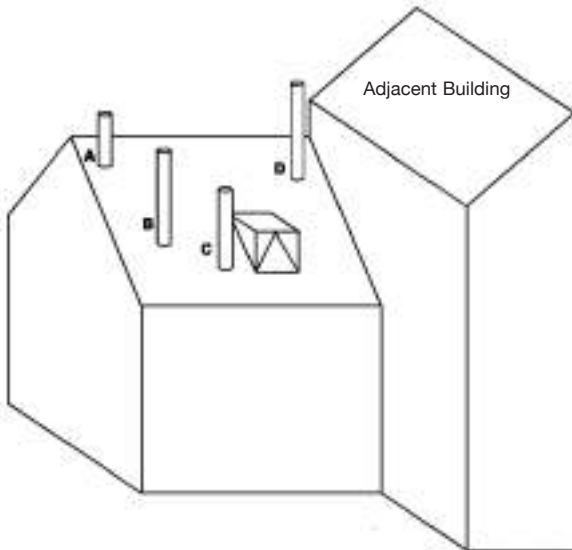
A faulty installation can cause danger to the inhabitants and structure of the building.

For users of this appliance:

Your building insurance company may require you to inform them that a new heating appliance has been installed on your property. Check that your cover is still valid after installing the appliance.

1. Flue Outlet Positions

These positions are defined by Document J of the Building Regulations.



The datum for vertical measurement is the point of discharge of the flue from either the point of discharge of the flue or 150mm above insulation, whichever is the lower.

IMPORTANT: Seek specialist advice if installing in a dwelling with a thatched roof

Point where the flue passes through weather surface (Notes 1 & 2)		Clearances to flue outlet
A	At or within 600mm of the ridge	At least 600mm above ridge
B	Elsewhere on roof (whether pitched or flat)	At least 2300mm horizontally from the nearest point on the weather surface and: a) at least 1000mm above highest point of intersection of the chimney with and the weather surface; or b) at least as high as the ridge
C	Below (on a pitched roof) or within 2300mm horizontally to openable rooflight, dormer window, or other opening (Note 3)	At least 1000mm above the top of opening
D	Within 2300mm of an adjoining or adjacent building, whether or not beyond the boundary (Note 3)	At least 600mm above any part of the adjacent of building within 2300mm

1) The weather surface is the building external surface, such as it's roof tiles or external walls.
2) A flat roof has a pitch less than 10°.
3) The clearance given for A or B, as appropriate, will also apply.
4) A vertical flue fixed to an outside wall should be treated as equivalent to an inside flue emerging at the nearest edge of the roof.

Technical Appendix - Flues

2. Flue or Chimney

2.1 The flue or chimney system must be in good condition. It must be inspected by a competent person and passed for use with the appliance before installation.

Products of combustion entering the room can cause serious health risks.

2.2 The following must be checked:

— The construction of the masonry chimneys, flue block chimneys and connecting flue pipe system must meet the requirements of the Building Regulations†.

— A flexible flue liner system can be used if certified for use with solid fuel systems and installation complies with manufacturer's instructions and Building Regulations. The flue liner must be replaced when an appliance is replaced, unless proven to be recently installed and in good condition.

— If it is necessary to fit a register plate it must conform to the Building Regulations†.

— The minimum height of the flue or chimney must be 4.5m from the hearth to the top of the flue, with no horizontal sections and a maximum of 4 bends. Bends must have angles of less than 45 degrees from the vertical.

— There should be at least 600mm of vertical flue pipe above the appliance before any bends are introduced.

— Ensure the connecting flue pipe is kept a suitable distance from any combustible material and does not form part of the supporting structure of the building.

— The installer must ensure the flue pipe diameter is not less than the diameter of the outlet of the appliance and does not narrow to less than the size of the outlet at any point in the system.

— Make provision to remove the appliance without the need to dismantle the chimney.

— Any existing flue must be confirmed as suitable for the new intended use as defined in the Building Regulations.

— The flue or chimney systems must be inspected and swept to confirm the system is structurally sound and free from obstructions.

— If the chimney is believed to have previously served an open fire it must be swept a second time within a month of regular use after installation to clear any soot falls that may have occurred due to difference in combustion levels.

— The flue exit from the building must comply with local building control rules†.

— Chimney heights and/or separations may need to be increased in particular cases where wind exposure, surrounding tall buildings, high trees or high ground could have adverse effects on flue draught.

— Do not connect or share the flue or chimney system with another heating appliance.

2.3 Do not connect to systems containing large voids or spaces over 230mm square.

2.4 Suitable access must be provided to enable the collection and removal of debris.

2.5 The flue must be swept and inspected when the appliance is installed.

Flue Draught

The flue draught must be checked with all windows and doors closed and any extraction fans in this, or adjoining rooms, running at maximum speed (see Installation Checklist for ventilation requirements).

Twin Wall Flue System

If this appliance is to be used in conjunction with a twin wall flue system then Stovax recommend the use of their Professional XQ range. Details of this product are available from your Stovax retailer.



In the U.K:

***BS EN 15287-1, and the requirements of Building Regulations**

****This should be done by a NACS registered (UK only)/INFO registered (Eire only) chimney sweep, who will issue you with a certificate.**

† Building Regulations Document J

Flue Plate:

Where a hearth, fireplace, flue or chimney is provided or extended (including cases where a flue is provided as part of refurbishment work), information essential to the correct appliance and use of these should be permanently posted in the building, to meet Requirement J4 of the Building Regulations (England and Wales), F3.12 (Scotland).

Additional:

A new factory made system that complies to EN 1856; Part 1 can be used providing installation is to the requirements of:

- i) BS 7566 Parts 1 -4**
- ii) the manufacturer's instructions**
- iii) Building Regulations.**

For a guide containing information on Chimneys and Flues contact:

**The British Flue & Chimney Manufacturers' Association,
FETA
2 Waltham Court
Milley Lane
Hare Hatch
Reading
Berkshire RG10 9TH**

Tel: 0118 9403416

e-mail: info@feta.co.uk

Ventilation - Technical Appendix

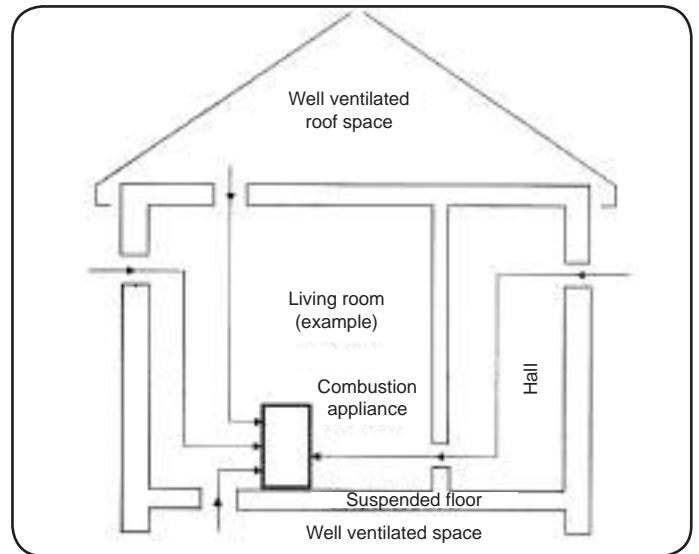
3. Ventilation

3.1 Many older buildings are sufficiently ventilated by natural leakage of air to provide suitable air supply for an appliance of 5kW output or less.

Modern building techniques have reduced the amount of air that leaks in or out of a house. A modern construction with an air tightness of less than 5m³ per hour per m² requires an air vent for **ALL** solid fuel appliances including those with a rated heat output of less than 5kW.

NOTE: The air leakage of a modern house is tested at the completion of construction and a certificate issued confirming this.

- 3.2 This appliance requires a constant supply of air to maintain proper combustion and effective flue performance.
- 3.3 An inadequate air supply can result in poor combustion and smoke entering the room which is potentially dangerous.
- 3.4 This supply of air can come from either:
- Purpose provided ventilation.
 - Some Stovax appliances can also be fitted with an optional outdoor air kit which allows air to be drawn in from the outside.
If the appliance is fitted with an optional dedicated, sealed external air kit refer to the instruction manual PM1233 for additional requirements.
- 3.5 The amount of air required must comply with local building regulations and the rules in force.
- 3.6 If spillage is detected during commissioning then there may be insufficient natural ventilation and an additional air supply will be necessary.
- 3.7 Permanent air vents should be non-adjustable and positioned where they are unlikely to become blocked.
- 3.8 If vents open into adjoining rooms or spaces there must be an air vent of at least the same size direct to the outside.
- 3.9 Site the vents where cold draught is unlikely to cause discomfort. This can be avoided by placing vents near ceilings or close to the appliance (See diagram).
- 3.10 Extractor fans or cooker hoods must not be placed in the same room or space as this can cause the appliance to emit fumes into the room.
- 3.11 Increase air supply provisions where a room contains multiple appliances.
- 3.12 **If any checks reveal problems do not proceed with the fitting of the appliance until they have been rectified.**



4. Minimum Dimensions - Hearth

- 4.1 The appliance must stand on a non-combustible constructional hearth which is at least 125mm thick with the minimum dimensions as shown in diagram. As this appliance can be installed in an elevated setting it is recommended to increase the 300mm hearth depth to safely contain any falling logs or embers. The higher the appliance is installed the deeper the hearth should be to protect the floor.
- 4.2 The building must have a suitable load-bearing capacity for the hearth and appliance. Consult a structural engineer for advice before proceeding.
- 4.3 When fitting into an existing hearth check that the appliance complies with current construction regulations and is at least the minimum sizes shown.
- 4.4 If there is no existing fireplace or chimney it is possible to construct a suitable non-combustible housing and hearth setting. The flue must be installed in accordance with all local and national regulations and current rules in force.
- 4.5 Check if adding a new chimney to your property requires planning permission.
- 4.6 Some houses are built using a timber frame construction with high levels of thermal insulation. Isolate the appliance from combustible materials, and provide sufficient ventilation to maintain the heating efficiency.

5. Builders Opening

Many fireplace openings have a supporting lintel. Remove the covering plaster to identify its position before starting any constructive work. Do not remove constructional lintels without making provision to support the remaining structure of the building. The appliance must not form any part of the supporting structure.

- 5.1 The chimney/flue must have a sealed connection to the appliance flue spigot.

Technical Appendix

- 5.2 The structure of the builders opening will reach high temperatures. Construct from a suitable non-combustible material to reduce the heat transfer to the external walls.
- 5.3 Take care when finishing the chimney breast and surrounding area. The conducted and convected heat emitted by the appliance could be high enough to crack normal plaster. Use a high temperature plaster, or face the area with a suitable non-combustible board avoiding any joints above the appliance. New plaster should be fully dried before the appliance is used, or cracking could occur.

If you are in any doubt about your ability to produce a safe opening contact your Stovax dealer for professional advice.*

6. Fire Surround Clearances

- 6.1 We recommend you obtain expert advice before proceeding with work of this nature.
- 6.2 Some finishes may discolour with heat and some lower quality products may distort, or crack, when in use.

If stone / granite / marble or any other natural material is used to construct the fire surround, or any part of it, provision should be made for expansion and movement of the parts due to heating and cooling.

If you are in any doubt about the installation requirements, or suitability of fire surrounds contact your Stovax dealer.

- 6.3 All fire surrounds should be suitable for use with solid fuel heating products.



Organisations authorised to certify competence in the installation of domestic solid fuel appliances (Competent Persons Scheme):

APHC - Association of Plumbing and Heating Contractors (Certification) Ltd.
www.aphc.co.uk

BESCA - Building Engineering Services Competence Accreditation Ltd.
www.besca.org.uk

HETAS - Heating Equipment Testing and Approval Scheme Ltd.
www.hetas.co.uk

NAPIT - National Association of Professional Inspectors and Testers Ltd.
www.napit.org.uk

NICEIC - NICEIC Group Ltd.
www.niceic.org.uk

HETAS Approved Chimney Sweeps:

NACS - The National Association of Chimney Sweeps
www.chimneyworks.co.uk

APICS - The Association of Master Chimney Sweeps Ltd.
www.apics.org

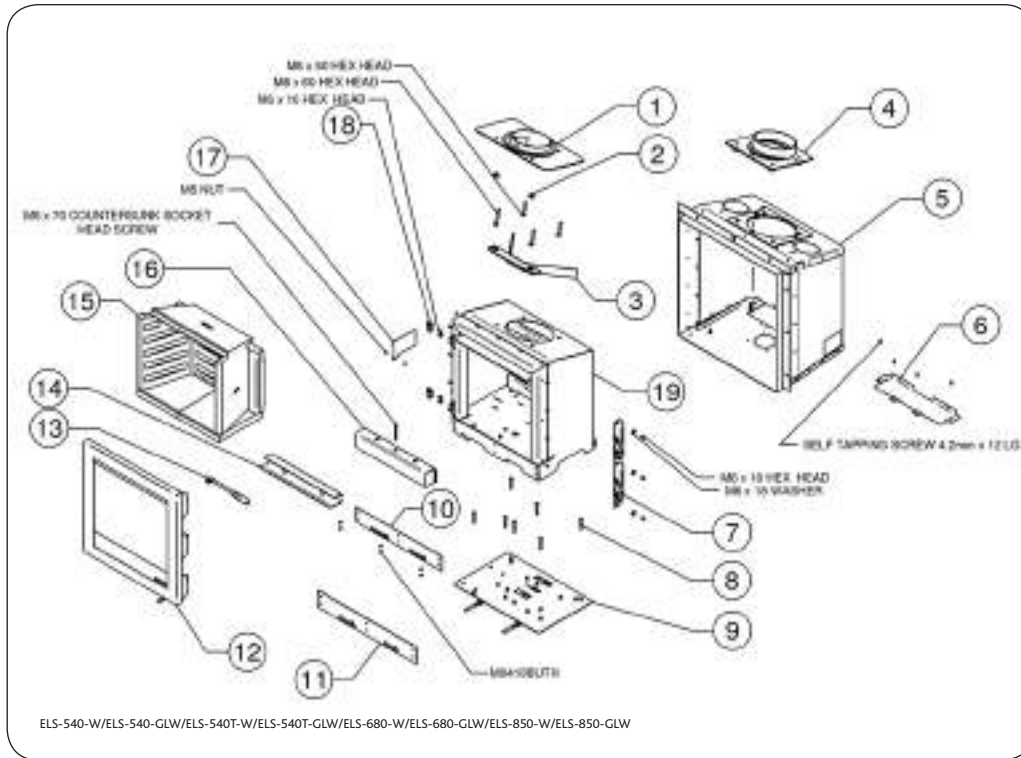
The Guild of Master Chimney Sweeps -
guildofmasterchimneysweeps.co.uk

Product Fiche - Information Requirement for Solid Fuel Local Space Heater

Model	Elise 540W	Elise 540MF	Elise 540 Tall W	Elise 540 Tall MF	Elise 680W	Elise 680MF	Elise 850W
Direct Efficiency Class	A+	A+	A	A	A	A	A
Direct Heat Output (kW)	5.00	5.00	5.00	5.00	7.00	7.00	9.00
Indirect Output (kW)	-	-	-	-	-	-	-
Energy Efficiency Index (EEI)	107	106	102	100	102	100	99
Useful Energy Efficiency at Nominal Heat Output	81%	80%	77%	76%	77%	76%	75%
Safety Precautions	Appliance must be installed, Used and Maintained in accordance with the manufacturers instructions supplied						

Spare Parts

WOOD CASSETTE ELISE 540/ 540T/ 680/ 850 - GLASS/STEEL FRONTED



Ref. No.	Description
1	6" INTERNAL FLUE COLLAR & DEFLECTOR PLATE
2	SPACER
3	UPPER BAFFLE ASSEMBLY
4	TOP COLLAR
5	OUTER BOX ASSEMBLY
6	FAN BLANKING INFILL
7	DOOR LATCH ASSEMBLY
8	M6 x 50 COUNTERSUNK SHOULDER SOCKET HEAD SCREW
9	AIR CONTROL ASSEMBLY - WOOD
10	DECORATIVE FRONT PLATE - WOOD
11	DEFRA PLATE - WOOD
12	DOOR ASSEMBLY - GLASS / STEEL
13	MULTI-FUNCTION TOOL
14	LOG GUARD ASSEMBLY
15	BRICK SET - WOOD
16	ASH RETAINER ASSEMBLY - WOOD
17	DATA PLATE MOUNT
18	HINGE BLOCK ASSEMBLY
19	INNER WELDED ASSEMBLY

ELS-540-W/ELS-540-GLW/ELS-540T-W/ELS-540T-GLW/ELS-680-W/ELS-680-GLW/ELS-850-W/ELS-850-GLW

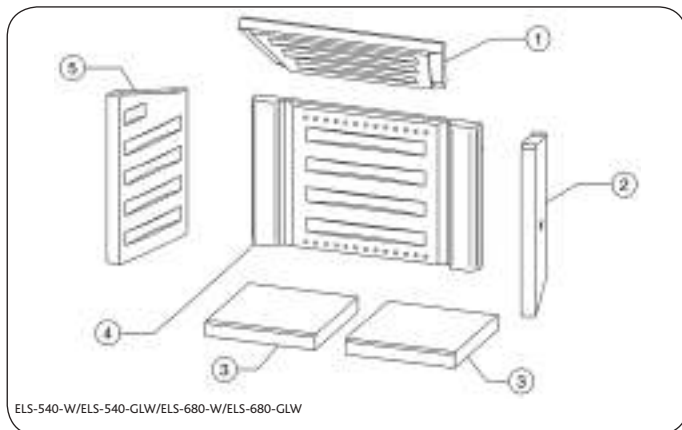


Due to continual technical improvements please check online or with your Stovax retailer for the most up to date parts lists.

Only use Genuine Stovax spares when servicing your appliance.

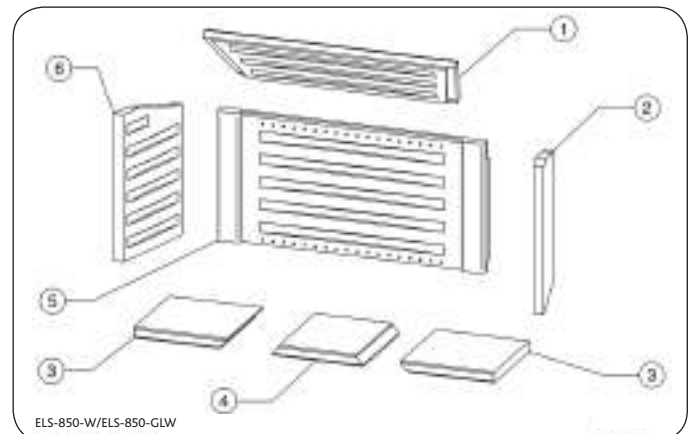
All of our essential spare parts and consumable items are available to purchase from our webshop at www.stovaxspares.com.

WOOD BRICK ASSEMBLY - ELISE 540/ 680



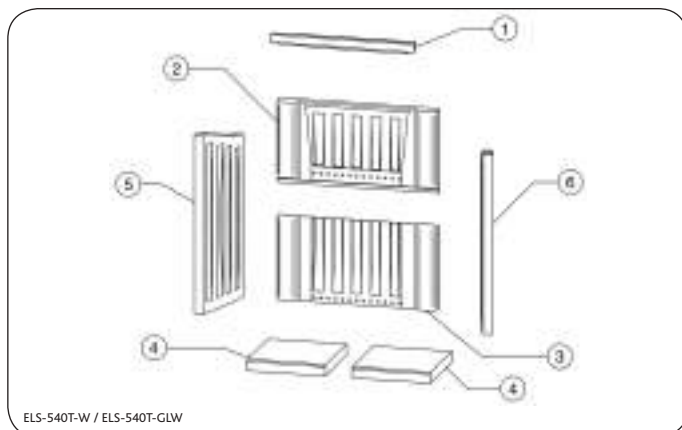
Ref. No.	Description
1	BAFFLE BRICK
2	RH SIDE TAPERED BRICK - WOOD
3	BASE BRICK - WOOD
4	REAR BRICK - WOOD
5	LH SIDE TAPERED BRICK - WOOD

WOOD BRICK ASSEMBLY - ELISE 850



Ref. No.	Description
1	BAFFLE BRICK
2	RH SIDE TAPERED BRICK - WOOD
3	SIDE BASE BRICK - WOOD
4	CENTRE BASE BRICK - WOOD
5	REAR BRICK - WOOD
6	LH SIDE TAPERED BRICK - WOOD

WOOD BRICK ASSEMBLY - ELISE 540T



Ref. No.	Description
1	BAFFLE BRICK
2	TOP REAR BRICK ASSEMBLY
3	LOWER REAR BRICK ASSEMBLY
4	BASE BRICK - WOOD
5	LH SIDE TAPERED BRICK
6	RH SIDE TAPERED BRICK



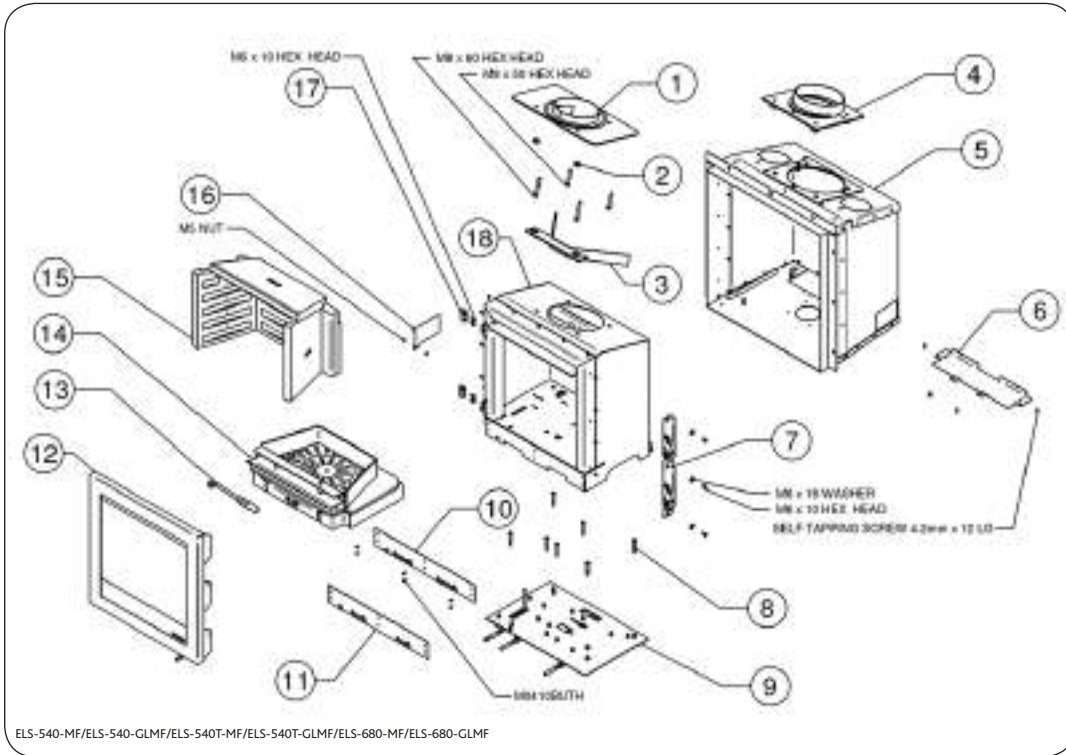
Due to continual technical improvements please check online or with your Stovax retailer for the most up to date parts lists.

Only use Genuine Stovax spares when servicing your appliance.

All of our essential spare parts and consumable items are available to purchase from our webshop at www.stovaxspares.com.

Spare Parts

MULTI-FUEL CASSETTE ELISE 540/ 540T/ 680 - STEEL & GLASS FRONTED



Ref. No.	Description
1	INTERNAL FLUE COLLAR & DEFLECTOR PLATE
2	SPACER
3	UPPER BAFFLE
4	TOP COLLAR
5	OUTER BOX ASSEMBLY
6	FAN BLANKING INFILL
7	DOOR LATCH ASSEMBLY
8	M6 X 50 COUNTERSUNK SHOULDER SOCKET SCREW
9	AIR CONTROL ASSEMBLY - MULTI-FUEL
10	DECORATIVE FRONT PLATE MULTI-FUEL
11	DEFRA PLATE - MULTI-FUEL
12	DOOR ASSEMBLY - GLASS / STEEL
13	MULTI-FUNCTION TOOL,
14	MULTI-FUEL KIT
15	BRICK SET - WOOD
16	DATA PLATE MOUNT
17	HINGE BLOCK ASSEMBLY
18	INNER WELDED ASSEMBLY

ELS-540-MF/ELS-540-GLMF/ELS-540T-MF/ELS-540T-GLMF/ELS-680-MF/ELS-680-GLMF



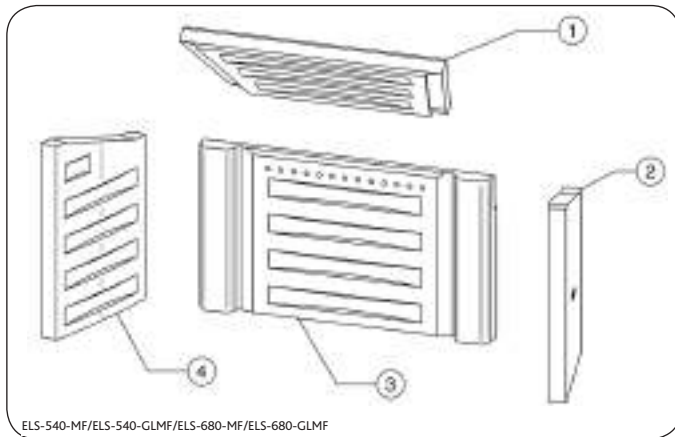
Due to continual technical improvements please check online or with your Stovax retailer for the most up to date parts lists.

Only use Genuine Stovax spares when servicing your appliance.

All of our essential spare parts and consumable items are available to purchase from our webshop at www.stovaxspares.com.

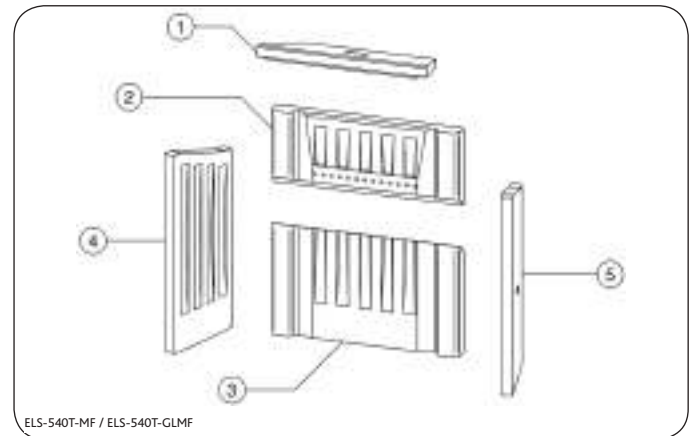
Spare Parts

MULTI-FUEL BRICK ASSEMBLY - ELISE 540/ 680



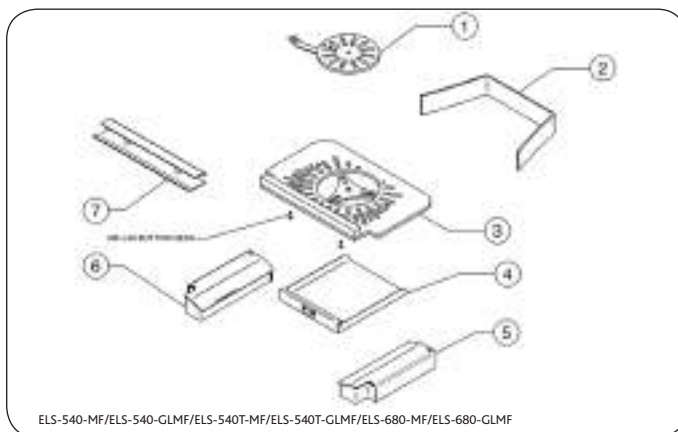
Ref. No.	Description
1	BAFFLE BRICK
2	RH SIDE TAPERED BRICK - MULTI-FUEL
3	REAR BRICK - MULTI-FUEL
4	LH SIDE TAPERED BRICK - MULTI-FUEL

MULTI-FUEL BRICK ASSEMBLY - ELISE 540T



Ref. No.	Description
1	BAFFLE BRICK
2	TOP REAR BRICK ASSEMBLY
3	LOWER REAR BRICK ASSEMBLY
4	LH SIDE TAPERED BRICK
5	RH SIDE TAPERED BRICK

MULTI-FUEL KIT ASSEMBLY



Ref. No.	Description
1	CENTRE GRATE DISC ASSEMBLY
2	BRICK PROTECTOR
3	MAIN GRATE ASSEMBLY
4	ASHPAN ASSEMBLY
5	GRATE SUPPORT ASSEMBLY - RH
6	GRATE SUPPORT ASSEMBLY - LH
7	LOG GUARD ASSEMBLY



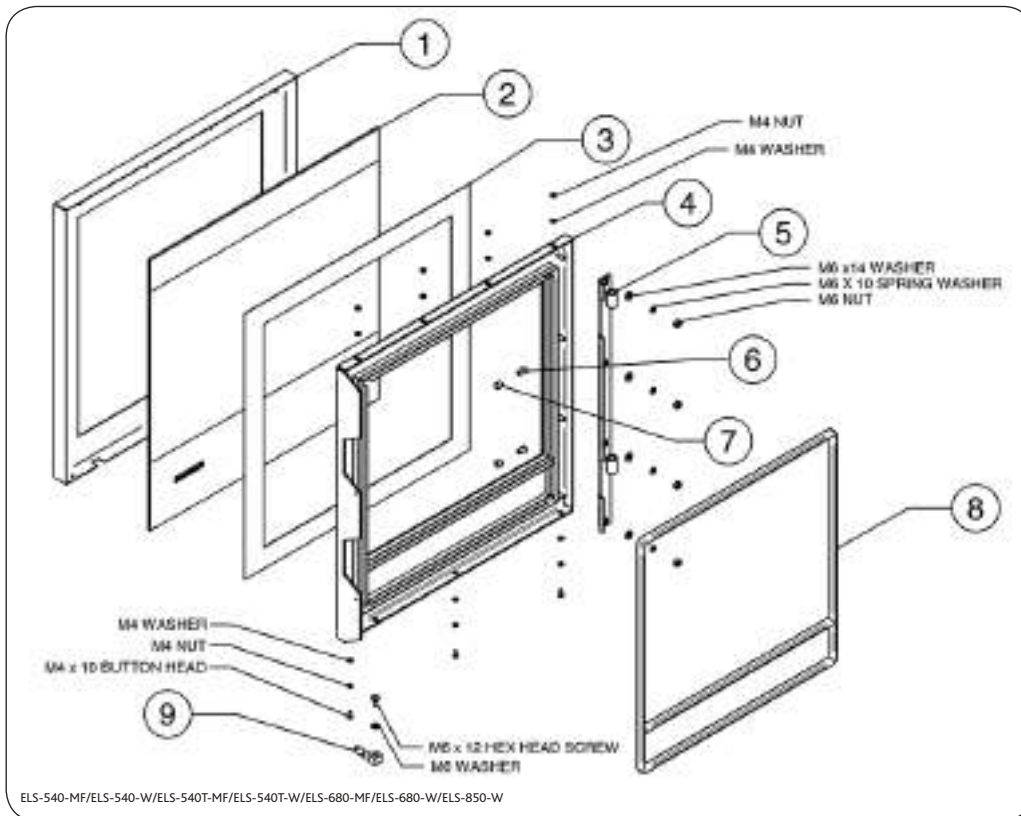
Due to continual technical improvements please check online or with your Stovax retailer for the most up to date parts lists.

Only use Genuine Stovax spares when servicing your appliance.

All of our essential spare parts and consumable items are available to purchase from our webshop at www.stovaxspares.com.

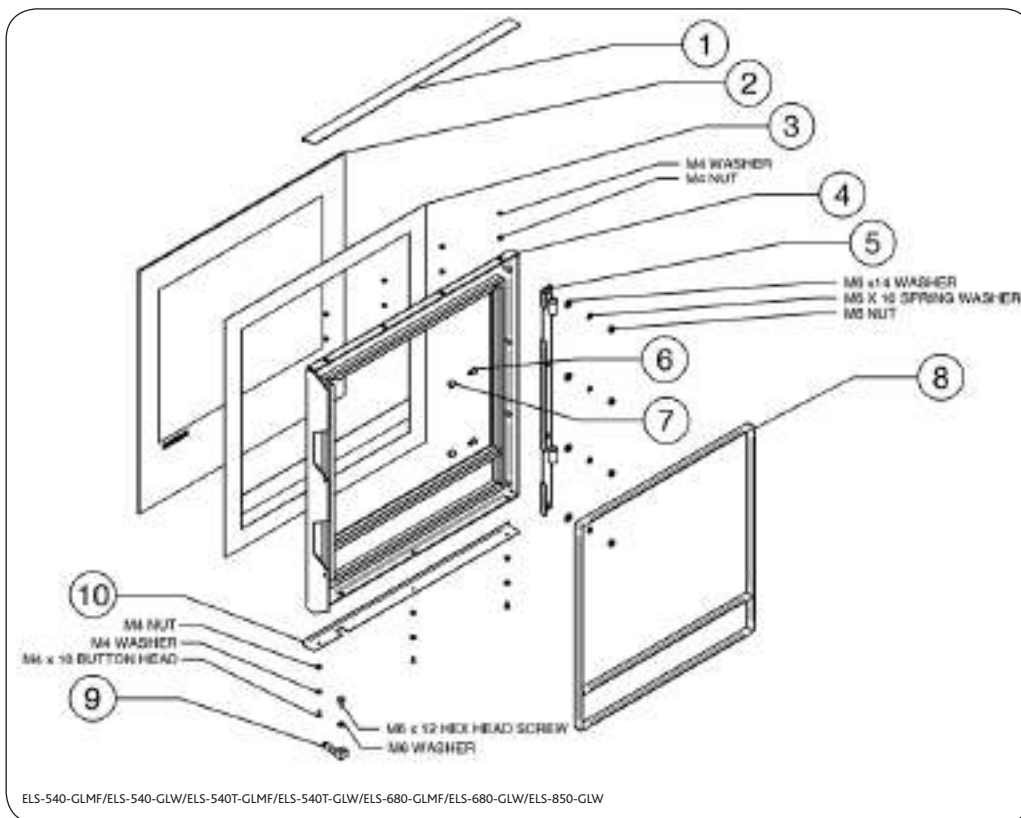
Spare Parts

STEEL DOOR ASSEMBLY



Ref. No.	Description
1	GLASS CLAMP ASSEMBLY
2	DOOR GLASS
3	GLASS ROPE
4	DOOR FRAME ASSEMBLY
5	HINGE ASSEMBLY
6	CATCH ROLLER PIN
7	CATCH ROLLER
8	DOOR ROPE
9	DOOR HANDLE STUB

GLASS DOOR ASSEMBLY



Ref. No.	Description
1	GLASS CLAMP ASSEMBLY
2	DOOR GLASS
3	GLASS ROPE
4	DOOR FRAME ASSEMBLY
5	HINGE ASSEMBLY
6	CATCH ROLLER PIN
7	CATCH ROLLER
8	DOOR ROPE
9	DOOR HANDLE STUB
10	GLASS CLAMP

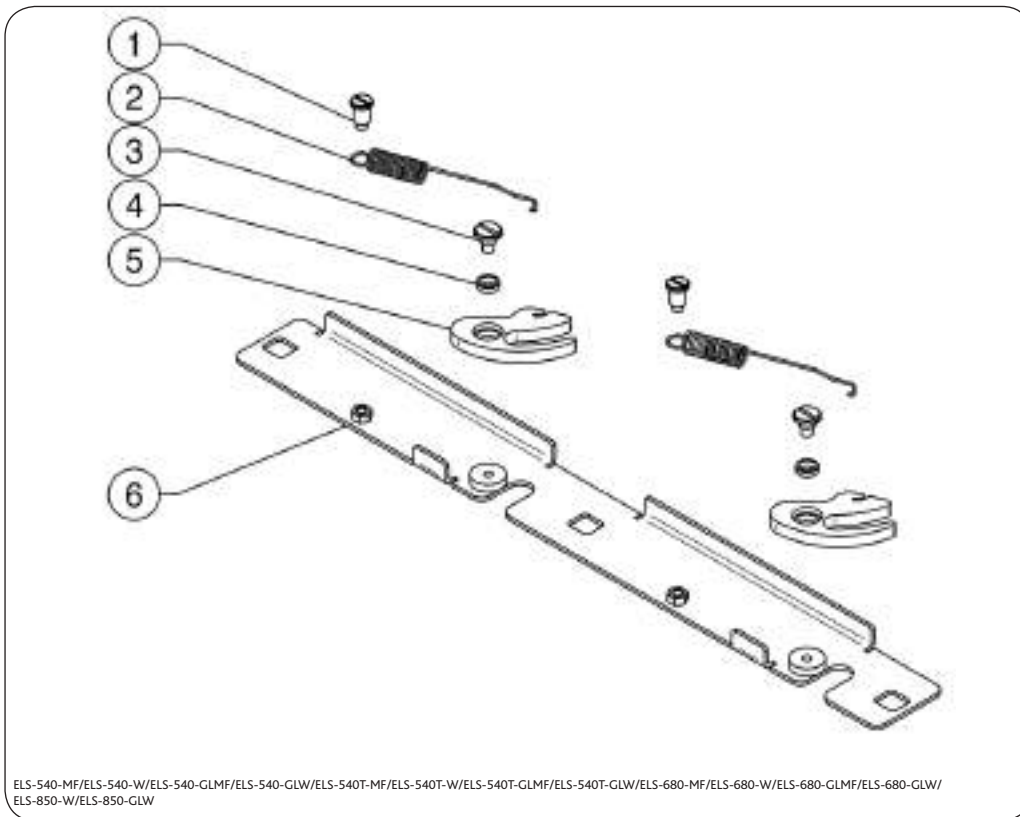


Due to continual technical improvements please check online or with your Stovax retailer for the most up to date parts lists.

Only use Genuine Stovax spares when servicing your appliance.

All of our essential spare parts and consumable items are available to purchase from our webshop at www.stovaxspares.com.

DOOR LATCH ASSEMBLY



Ref. No.	Description
1	CATCH ROLLER PIN
2	LATCH SPRING
3	LATCH ROLLER PIN
4	LATCH ROLLER
5	DOOR LATCH PROFILE
6	LATCH BRACKET ASSEMBLY



Due to continual technical improvements please check online or with your Stovax retailer for the most up to date parts lists.

Only use Genuine Stovax spares when servicing your appliance.

All of our essential spare parts and consumable items are available to purchase from our webshop at www.stovaxspares.com.

Service Records

1ST SERVICE

Date of Service:.....

Next Service Due:.....

Signed:.....

Dealer's Stamp/HETAS Registration Number

3RD SERVICE

Date of Service:.....

Next Service Due:.....

Signed:.....

Dealer's Stamp/HETAS Registration Number

5TH SERVICE

Date of Service:.....

Next Service Due:.....

Signed:.....

Dealer's Stamp/HETAS Registration Number

7TH SERVICE

Date of Service:.....

Next Service Due:.....

Signed:.....

Dealer's Stamp/HETAS Registration Number

9TH SERVICE

Date of Service:.....

Next Service Due:.....

Signed:.....

Dealer's Stamp/HETAS Registration Number

2ND SERVICE

Date of Service:.....

Next Service Due:.....

Signed:.....

Dealer's Stamp/HETAS Registration Number

4TH SERVICE

Date of Service:.....

Next Service Due:.....

Signed:.....

Dealer's Stamp/HETAS Registration Number

6TH SERVICE

Date of Service:.....

Next Service Due:.....

Signed:.....

Dealer's Stamp/HETAS Registration Number

8TH SERVICE

Date of Service:.....

Next Service Due:.....

Signed:.....

Dealer's Stamp/HETAS Registration Number

10TH SERVICE

Date of Service:.....

Next Service Due:.....

Signed:.....

Dealer's Stamp/HETAS Registration Number

The Clean Air Act 1993 and Smoke Control Areas

Under the Clean Air Act local authorities may declare the whole or part of the district of the authority to be a smoke control area. It is an offence to emit smoke from a chimney of a building, from a furnace or from any fixed boiler if located in a designated smoke control area. It is also an offence to acquire an "unauthorised fuel" for use within a smoke control area unless it is used in an "exempt" appliance ("exempted" from the controls which generally apply in the smoke control area).

In England appliances are exempted by publication on a list by the Secretary of State in accordance with changes made to sections 20 and 21 of the Clean Air Act 1993 by section 15 of the Deregulation Act 2015. Similarly in Scotland appliances are exempted by publication on a list by Scottish Ministers under section 50 of the Regulatory Reform (Scotland) Act 2014.

In Wales and Northern Ireland these are authorised by regulations made by Welsh Ministers and by the Department of the Environment respectively.

Further information on the requirements of the Clean Air Act can be found here:
<https://www.gov.uk/smoke-control-area-rules>

Your local authority is responsible for implementing the Clean Air Act 1993 including designation and supervision of smoke control areas and you can contact them for details of Clean Air Act requirements”

These Elise models (ELS-540-GLMF/ELS-540-GLW/ELS-540-MF/
ELS-540-W/ELS-540T-GLMF/ELS-540T-GLW/ELS-540T-MF/
ELS-540T-W/ELS-680-GLMF/ELS-680-GLW/ELS-680-MF/ELS-680-W)
have been recommended as suitable for use in smoke control areas when
burning dry wood logs when suitable permanent stops have been fitted
and when operated in accordance with the manufacturer’s instructions.

STOVAX

Stovax Ltd, Falcon Road, Sowton Industrial Estate, Exeter, Devon, England EX2 7LF

Tel: (01392) 474011 Fax: (01392) 219932 E-mail: info@stovax.com www.stovax.com

E & O E